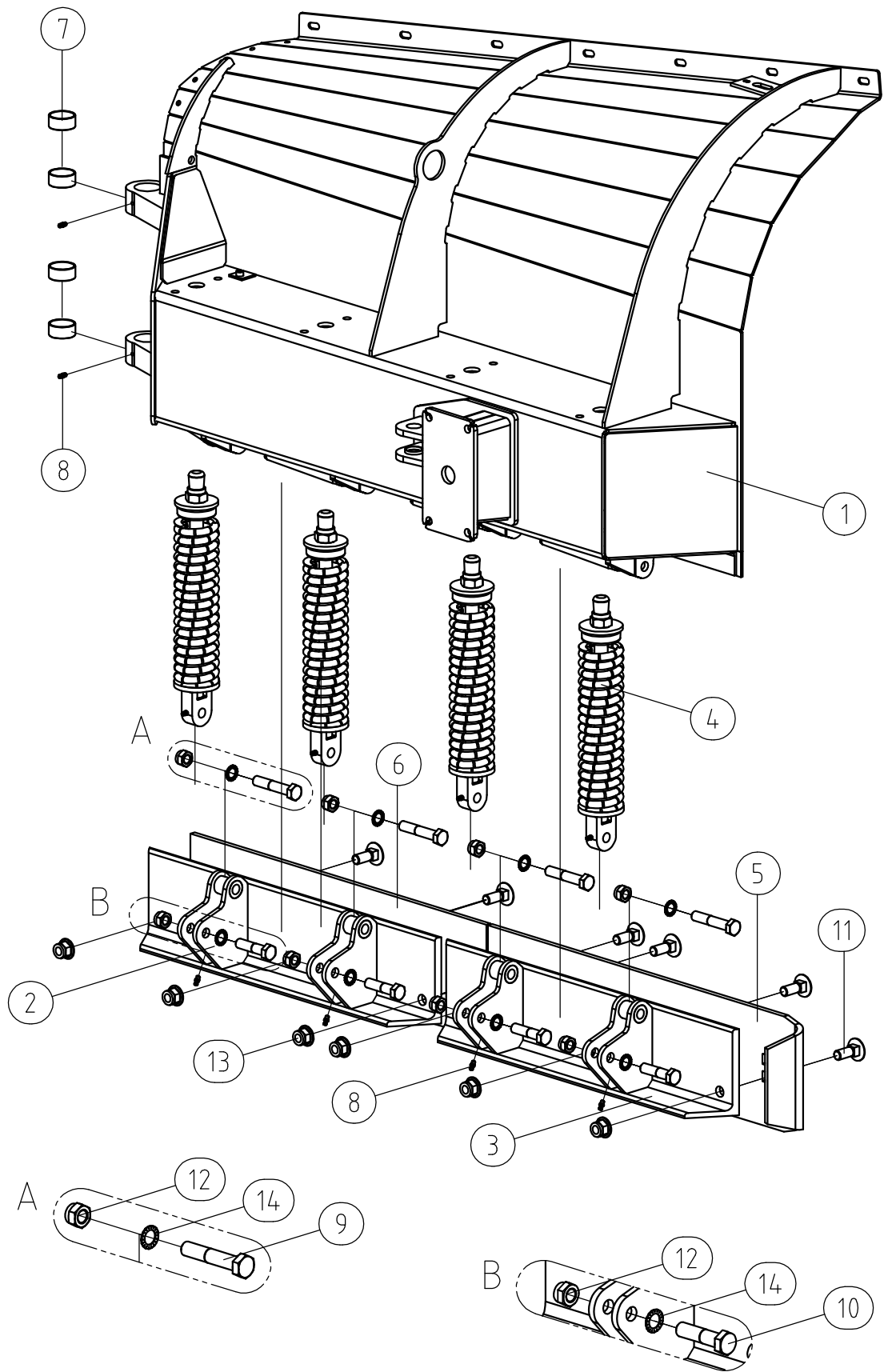


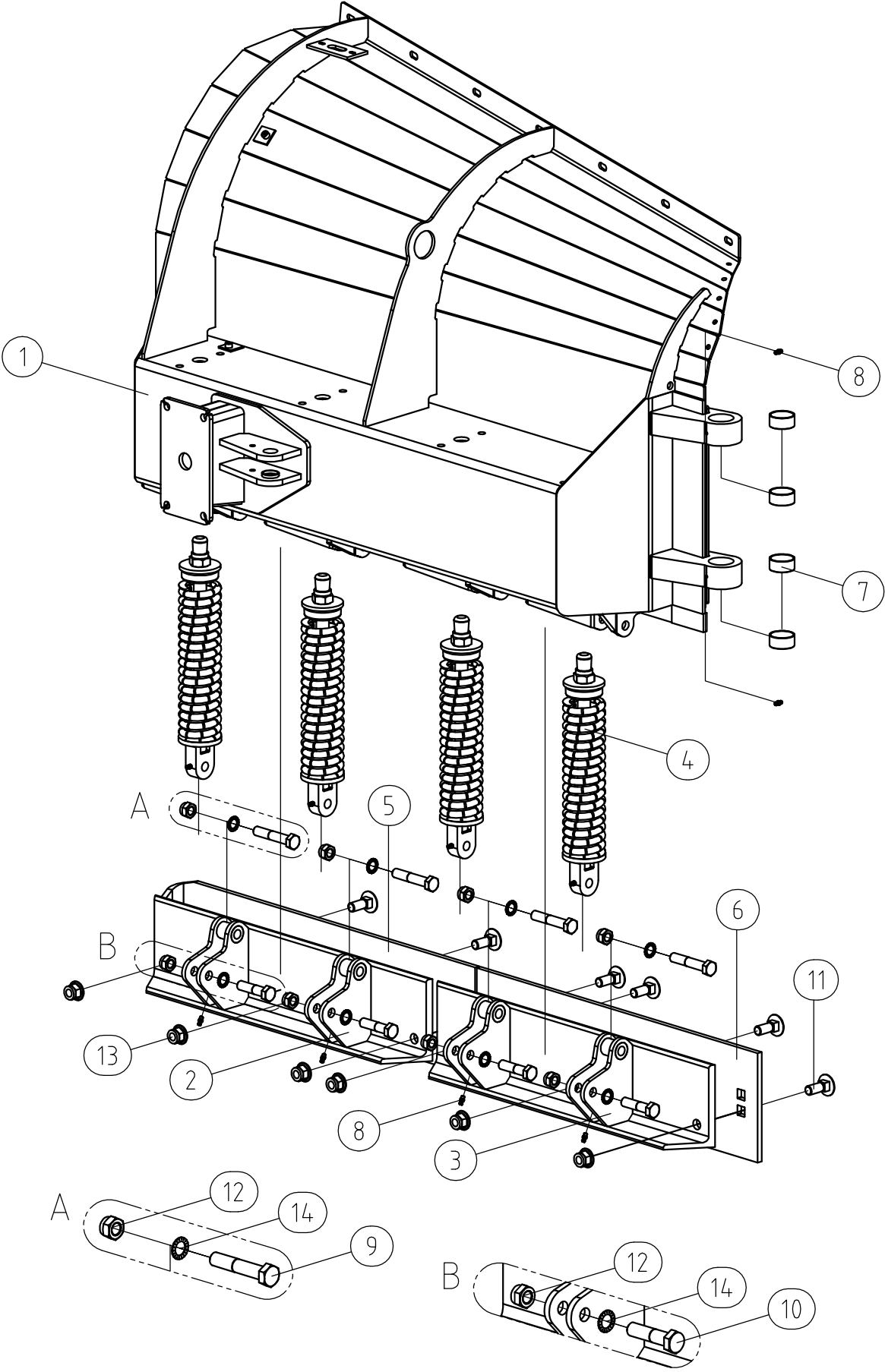
VM28-0

MODEL		VM28-01	VM28-02	VM28-03	VM28-04		
ITEM	QTY	DESCR	NAME	NAME	NAME	NAME	STANDARD
1	1		VM32-21	VM32-22	VM32-23	VM32-24	
2	1		VM32-1	VM32-1	VM32-1	VM32-1	
3	1		VM28-2	VM28-2	VM28-2	VM28-2	
4	1		VM28-3	VM28-3	VM28-3	VM28-3	
5	1		VM32-4	VM32-4	VM32-4	VM32-4	
6	2		VM32-5	VM32-5	VM32-5	VM32-5	
7	1	Sheet 5	VM32.00.00.08	VM32.00.00.08	VM32.00.00.08	VM32.00.00.08	
8	1	Side light (right)	2254.01 R	2254.01 R	2254.01 R	2254.01 R	
9	1	Side light (left)	2254.01 L	2254.01 L	2254.01 L	2254.01 L	
10	6	Clamp SPP 10	5302-01-10	5302-01-10	5302-01-10	5302-01-10	
11	10	Bolt	M6 X 20	M6 X 20	M6 X 20	M6 X 20	DIN 933
12	4	Crosshead screw	M6 X 20	M6 X 20	M6 X 20	M6 X 20	ISO 7045
13	14	Nut	M6	M6	M6	M6	DIN 985
14	10	Washer	∅ 6.4	∅ 6.4	∅ 6.4	∅ 6.4	DIN 9021
15	4	Washer	A 6.4	A 6.4	A 6.4	A 6.4	DIN 125



VM28-2

ITEM	QTY	DESCR	NAME	STANDARD
1	1		VM28.03.00.00	
2	1		VM28.05.00.00	
3	1		VM28.06.00.00	
4	4		VM32-6	
5	1	Sheet 10	VM28.00.00.01	
6	1	Sheet 10	VM28.00.00.02	
7	4	Journal bearing BRM-80	404420	
8	6	Grease nipple	AM 6	DIN 71412
9	4	Bolt	M16 X 85	DIN 931
10	4	Bolt	M16 X 65	DIN 931
11	6	Convexhead bolt	M16 X 45	SFS 2458
12	8	Nut	M16	DIN 985
13	6	Nut	M16	DIN 6926
14	8	Locking washer	A 17	DIN 6798



VM28-3

ITEM	QTY	DESCR	NAME	STANDARD
1	1		VM28.04.00.00	
2	1		VM28.05.00.00	
3	1		VM28.06.00.00	
4	4		VM32-6	
5	1	Sheet 10	VM28.00.00.01	
6	1	Sheet 10	VM28.00.00.02	
7	4	Journal bearing BRM-80	404420	
8	6	Grease nipple	AM 6	DIN 71412
9	4	Bolt	M16 X 85	DIN 931
10	4	Bolt	M16 X 65	DIN 931
11	6	Convexhead bolt	M16 X 45	SFS 2458
12	8	Nut	M16	DIN 985
13	6	Nut	M16	DIN 6926
14	8	Locking washer	A 17	DIN 6798