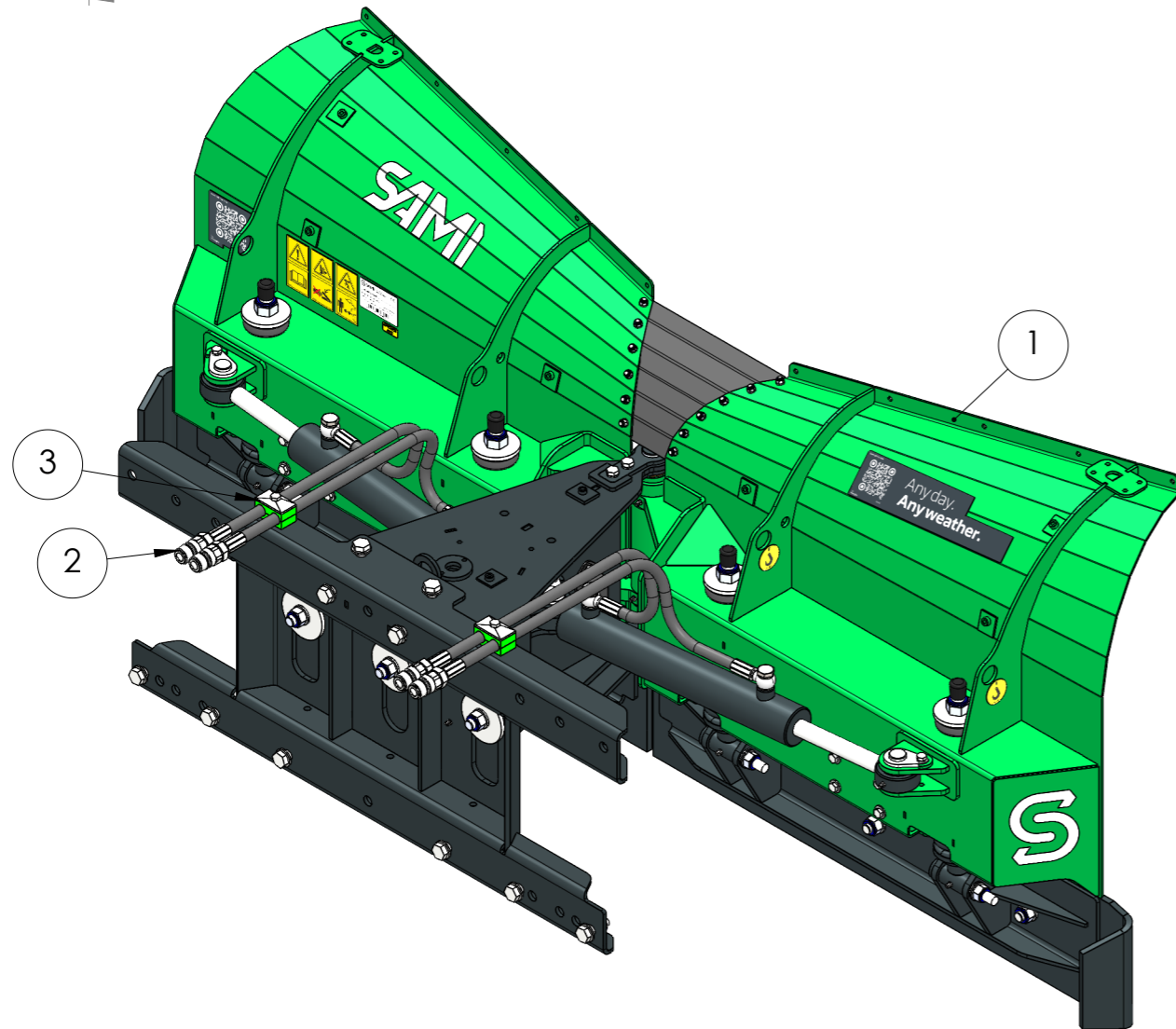
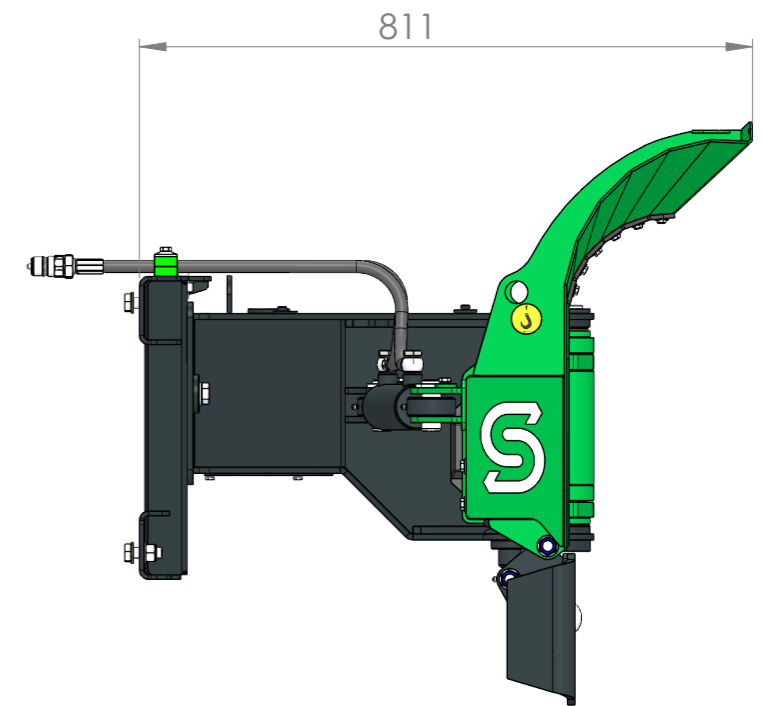
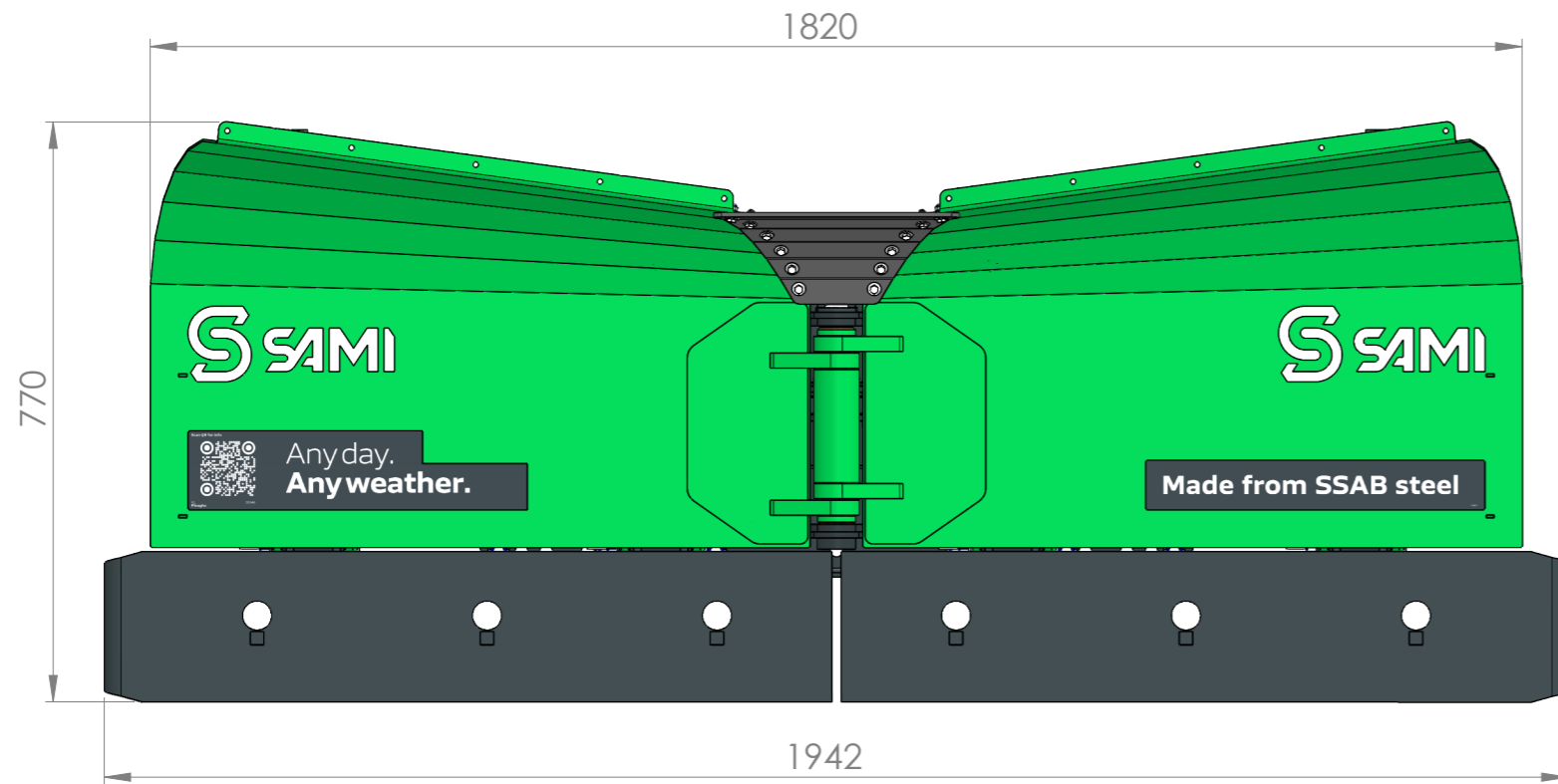


4	S2107	Sticker	1	12V
3	486.800	LED light set	1	
2	486.900	Hydraulic set 1	1	
1	486.000	V-plough VL-1800	1	
Pos.	Dwg. No.	Part Name	Quantity	Notes



V-plough VL-1800 (HS1)

Revision	
Date	29.05.2024
486.000.HS1	

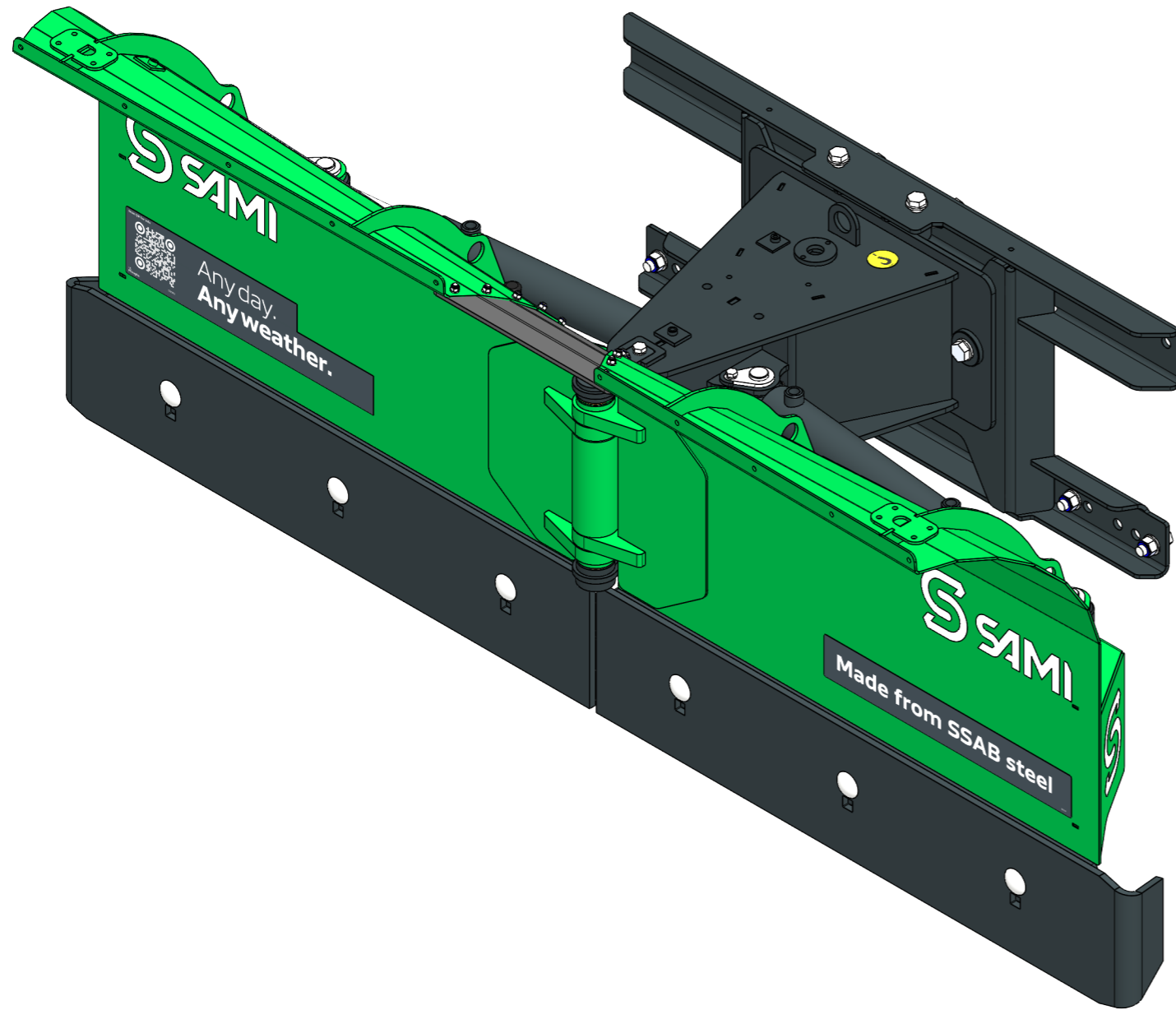


3	208E0401K	Hose clamp set	2	AD2 18-18 S
2	486.910	Hydraulic set 2	1	
1	486.000	V-plough VL-1800	1	
Pos.	Dwg. No.	Part Name	Quantity	Notes



V-plough VL-1800 (HS2)

Revision	
Date	29.05.2024
486.000.HS2	



61	486.1070	Solid blades set	1	<b>Special order</b>
60	486.1030	Rubber blade set	1	<b>Special order</b>
59	486.1020	Net blades set	1	<b>Special order</b>
58	486.700	Support ski	2	<b>Special order</b>
57	A410132	Sticker	5	Lifting
56	A46772	Warning label	1	
55	A46803	Warning label	1	
54	A46771	Warning label	1	Read before using
53	S5058	QR sticker	1	
52	S5043	QR sticker	1	
51	S5042	QR sticker	1	
50	S2113	Sticker	1	
49	S2111	Sticker	1	Quality inspection sticker
48	S1302	Sami sticker	1	
47	S1204	Sticker	2	Sami symbol
46	S1003	Sami sticker (horizontal)	2	White (100x274 mm)
Pos.	Dwg. No.	Part Name	Quantity	Notes

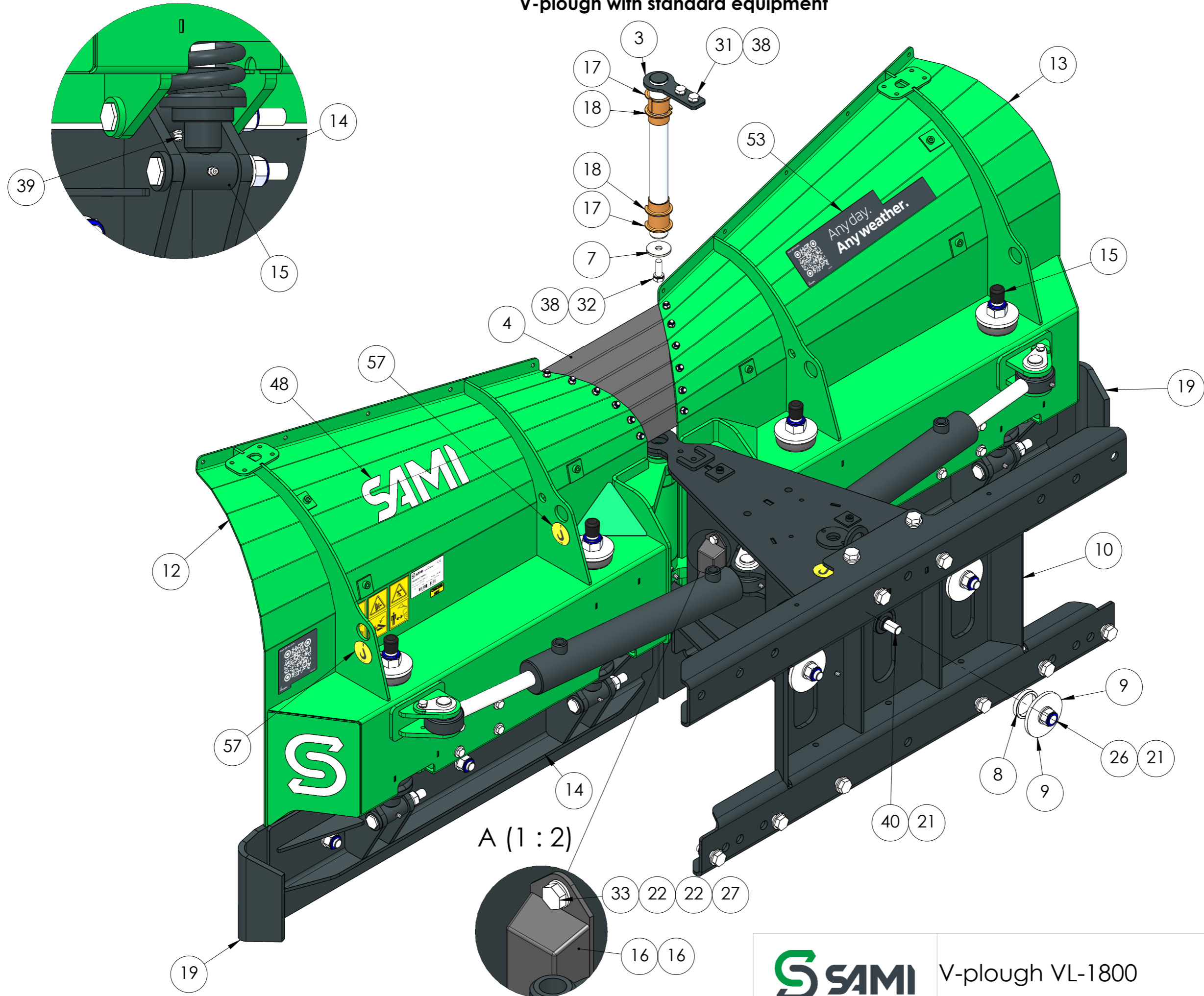
45	S101	Sticker	1	Serial No.
44	201A22162	Hex headed screw.	4	DIN 931 - M14x150 - Zn
43	201A22161	Hex headed screw.	4	DIN 931 - M14x110 - Zn
42	203A2701	Washer	12	DIN9021 - M6 - Zn
41	201A0502	Carriage bolt	6	DIN 603 - M16x40 - Zn
40	201A2147	Hexagon head bolt	3	DIN 931 - M16x 60 - Zn
39	207A0101	Grease nipple	10	DIN 71412 - M6
38	203A0104	Washer NordLock	3	DIN 25201 - M10 - Zn
37	203A0103	Washer NordLock	4	DIN 25201 - M8 - Zn
36	201A22004	Hexagon head bolt	3	DIN 933 - M 6x14 - Zn
35	201A22041	Hexagon head bolt	8	DIN 933 - M10x 12 - Zn
34	201A22006	Hexagon head bolt	12	DIN 933 - M 6x20 - Zn
33	201A22027	Hexagon head bolt	2	DIN 933 - M 8x 30 - Zn
32	201A22046	Hexagon head bolt	1	DIN 933 - M10x 30 - Zn
31	201A22043	Hexagon head bolt	2	DIN 933 - M10x 16 - Zn
30	201A22024	Hexagon head bolt	4	DIN 933 - M 8x 16 - Zn
29	201A22112	Hexagon head bolt	10	DIN 933 - M14x40 - Zn
28	204A1604	Nut	12	DIN 985 (Nylock) M6 - Zn
27	204A1605	Nut	2	DIN 985 (Nylock) M8 - Zn
26	204A1608	Nut	9	DIN 985 (Nylock) M16 - Zn
25	204A1619	Nut	18	DIN 985 (Nylock) M14 - Zn
24	203A0206	Washer	8	DIN 125 - M10 - Zn
23	203A0204	Washer	15	DIN 125 - M6 - Zn
22	203A0205	Washer	4	DIN 125 - M8 - Zn
21	203A0209	Washer	12	DIN 125 - M16 - Zn
20	203A0208	Washer	37	DIN 125 - M14 - Zn
19	216A0221	Olofsfors blade with bent end	2	
18	213A0141	Flanged plain bearing	2	BRM-80 TFF 30344530
17	213A0118	Bushing	2	
16	299A0104	Rubber bumper	2	
15	486.500	Spring set	4	
14	486.400	Blade holder	2	
13	486.300	Plough wing (R)	1	
12	486.200	Plough wing (L)	1	
11	486.100	Frame	1	
10	486.050	Floating frame	1	
9	486.008	Washer	3	
8	486.007	Bushing	3	
7	486.006	Washer	1	
6	486.005	Bushing	1	
5	486.002	Cover plate	1	
4	486.001	Rubber	1	
3	28.1037	Middle pin	1	
2	28.1036	Pin	4	
1	11.017	Hydraulic cylinder	2	
Pos.	Dwg. No.	Part Name	Quantity	Notes



V-plough VL-1800

Revision	
Date	30.05.2024
486.000	

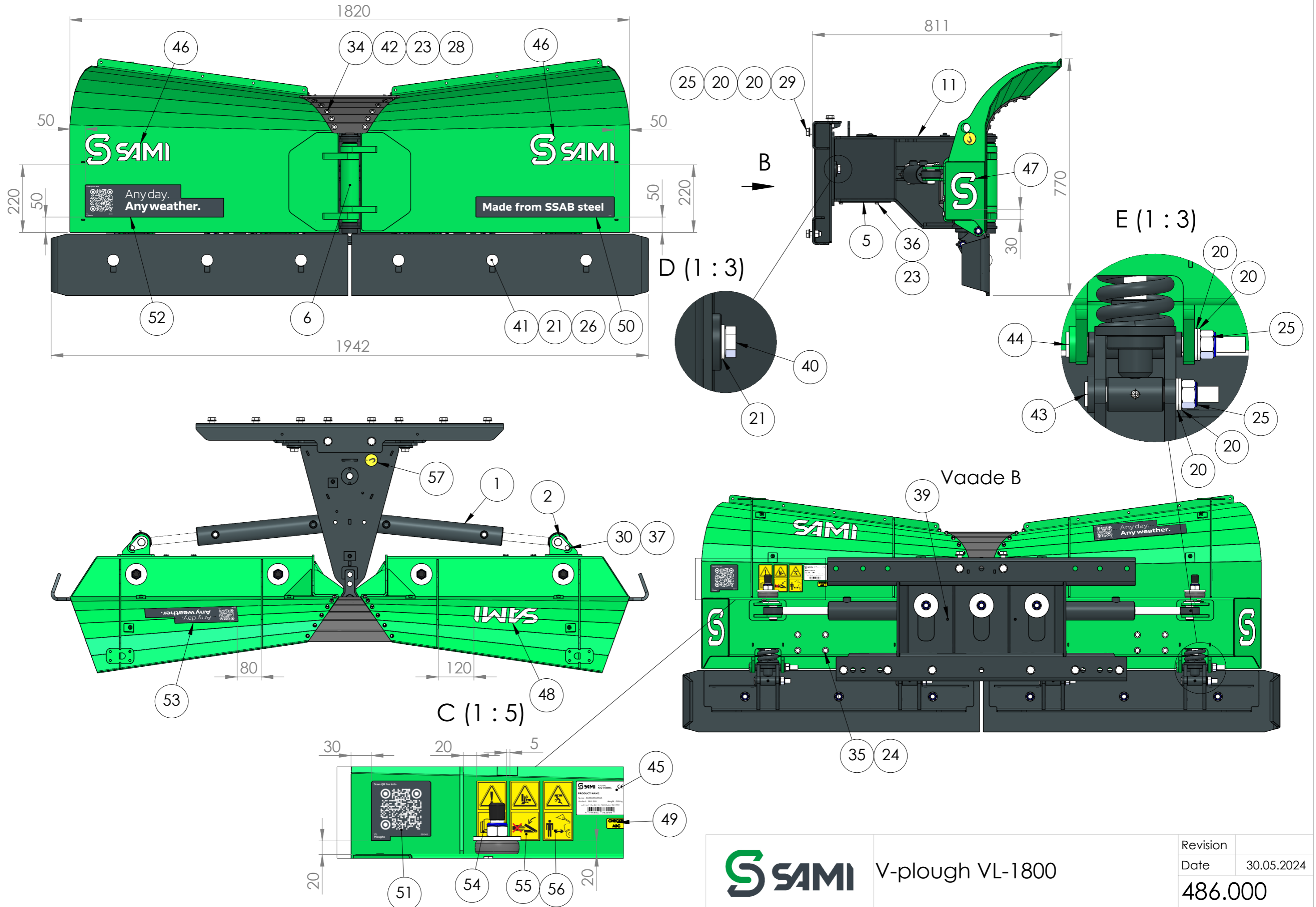
V-plough with standard equipment



V-plough VL-1800

Revision	
Date	30.05.2024
486.000	

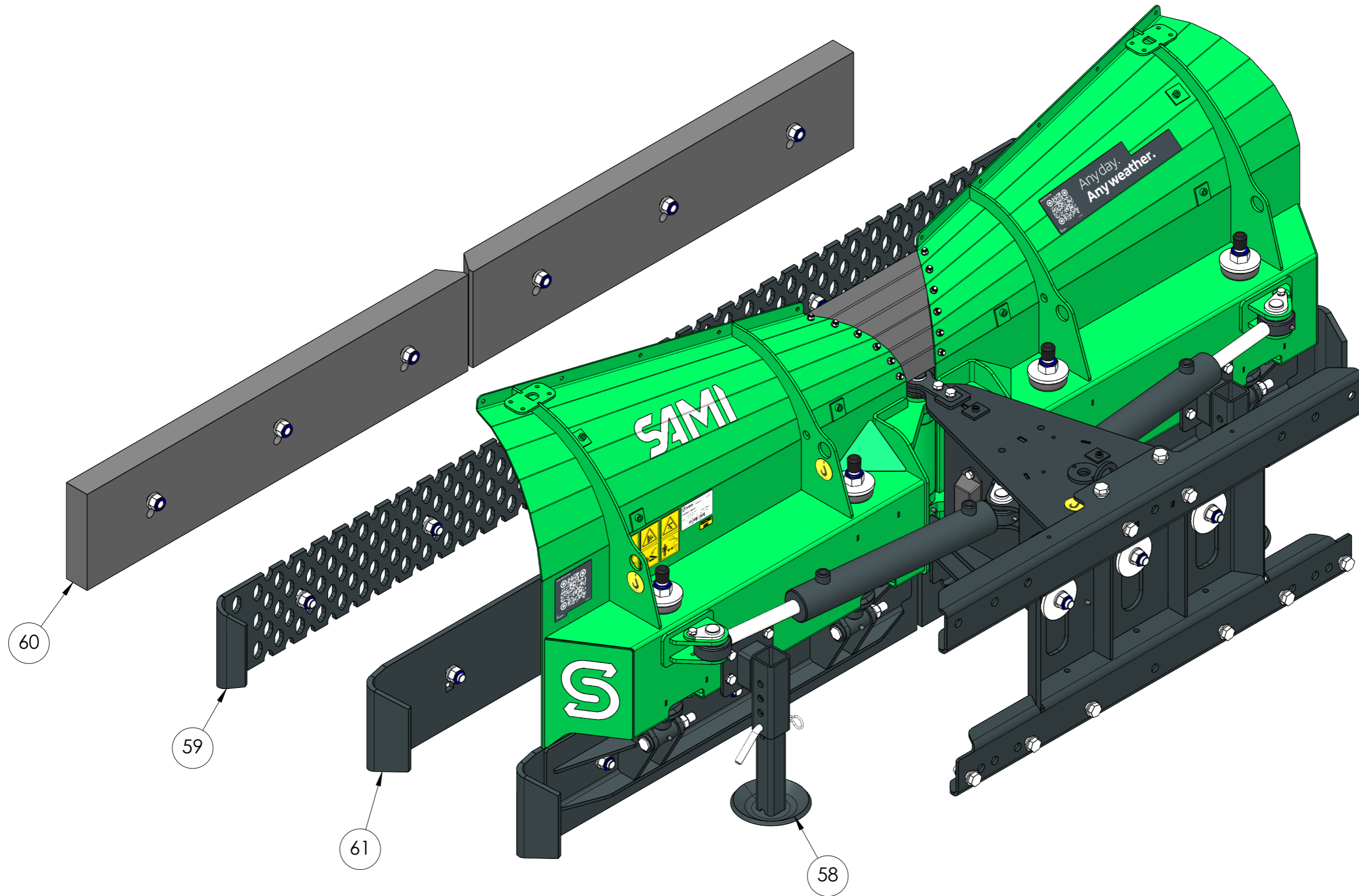
V-plough with standard equipment



V-plough VL-1800

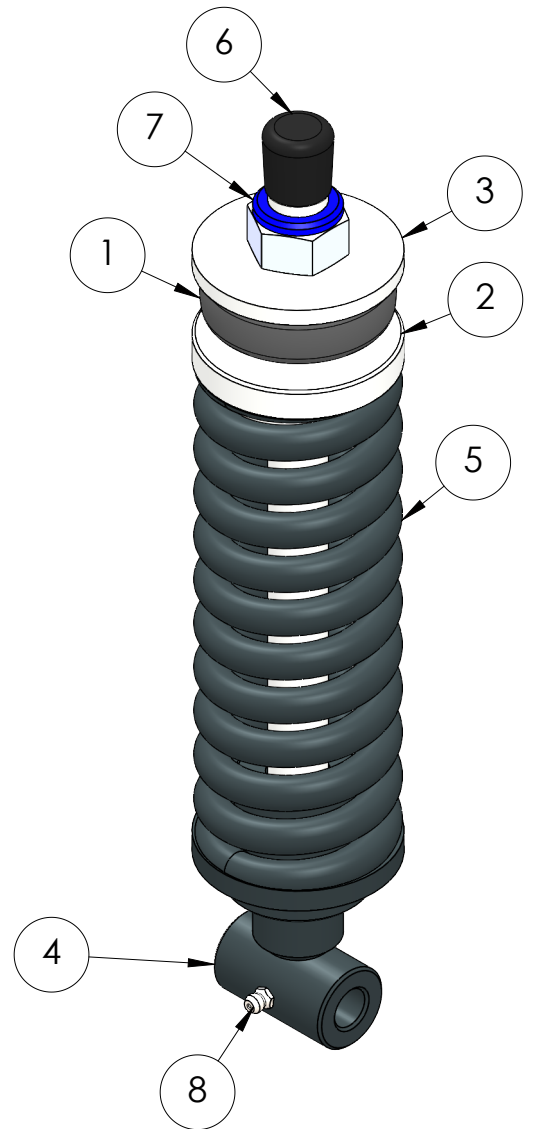
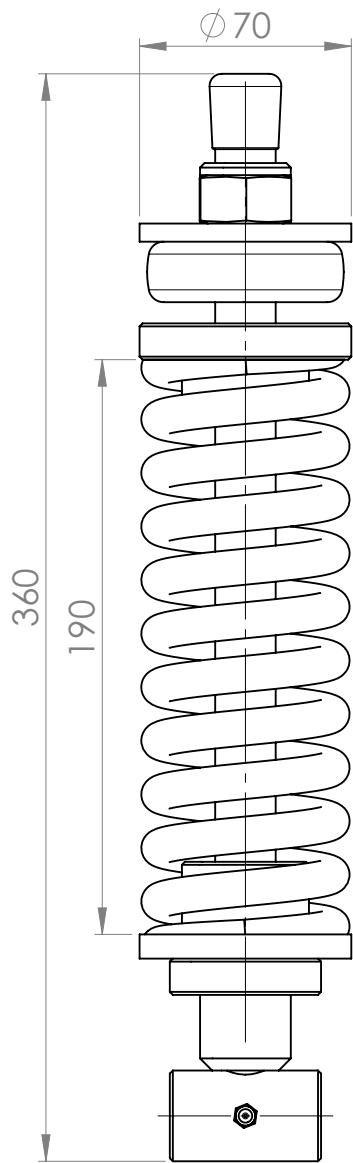
Revision	
Date	30.05.2024
486.000	

# V-plough with accessories



V-plough VL-1800

Revision	
Date	30.05.2024
486.000	



8	207A0101	Grease nipple	1	DIN 71412 - M6
7	204A1609	Nut	1	DIN 985 (Nylock) M20 - Zn
6	299A0466	Plug	1	
5	205A0186	Spring	1	
4	486.510	Spring axis	1	
3	486.502	Washer	1	
2	486.501	Bushing	1	
1	461.006	Rubber buffer	1	
Pos.	Dwg. No.	Part Name	Quantity	Notes



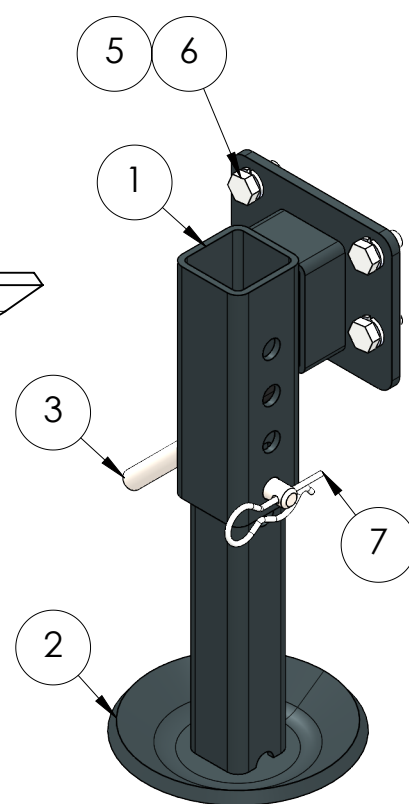
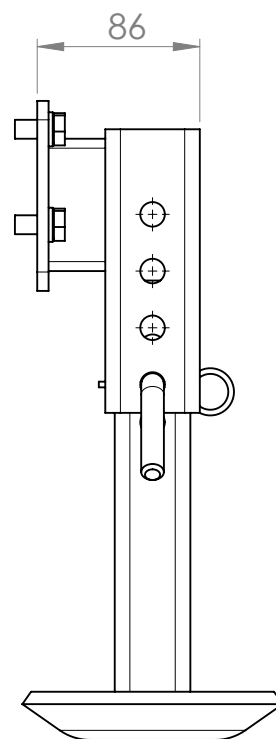
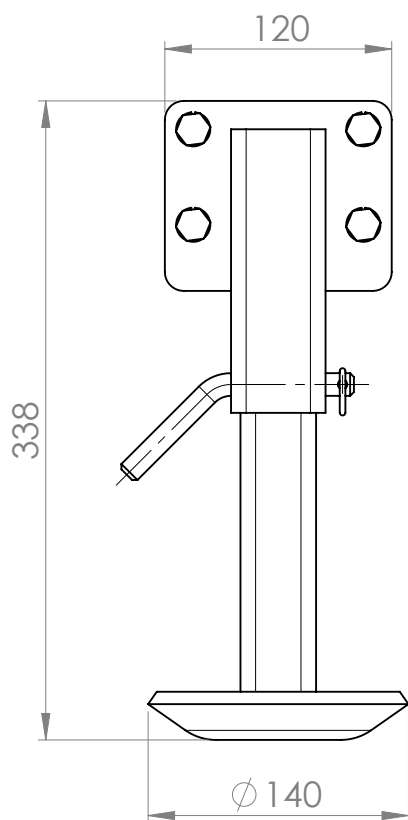
Spring set

Revision

Date

29.05.2024

486.500



7	202A0802	Retaining Pin	1	DIN11024 - Ø3 - Zn
6	201A22044	Hexagon head bolt	4	DIN 933 - M10x 20 - Zn
5	203A0502	Spring washer	4	DIN 127 - M10 - Zn
4	299A0453	Plug	1	
3	323.002	Pin	1	
2	486.720	Ski	1	
1	486.710	Frame	1	
Pos.	Dwg. No.	Part Name	Quantity	Notes



Support ski

Revision

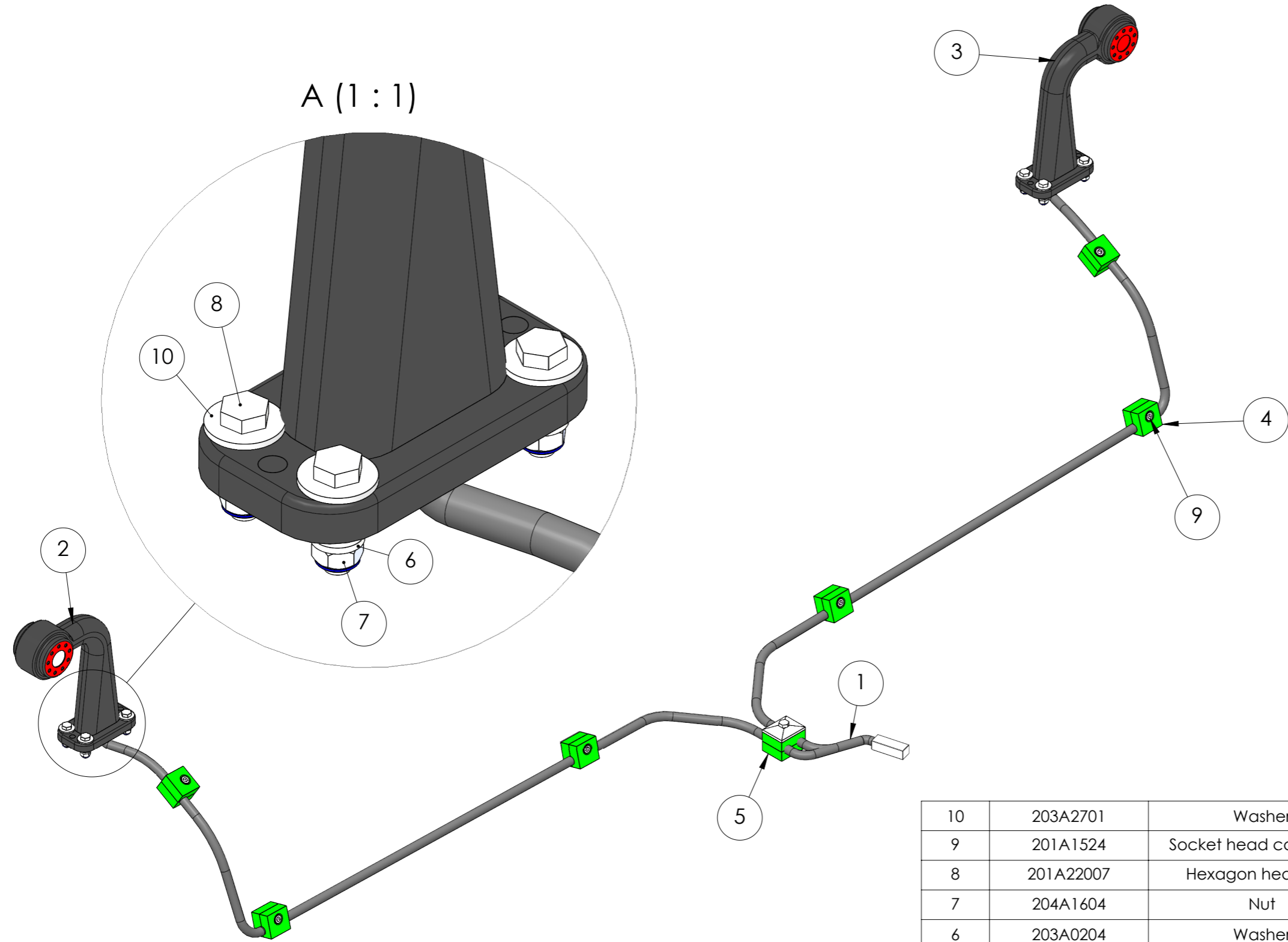
Date

29.05.2024

486.700



A (1 : 1)



10	203A2701	Washer	8	DIN9021 - M6 - Zn
9	201A1524	Socket head cap screw	6	DIN 912 - M6x20 - Zn
8	201A22007	Hexagon head bolt	8	DIN 933 - M 6x25 - Zn
7	204A1604	Nut	8	DIN 985 (Nylock) M6 - Zn
6	203A0204	Washer	8	DIN 125 - M6 - Zn
5	208E0426K	Hose clamp set	1	
4	208E0437	Hose clamp	12	A0 10
3	217B0226	Led light	1	
2	217B0225	Led light	1	
1	-	Cable	1	
Pos.	Dwg. No.	Part Name	Quantity	Notes

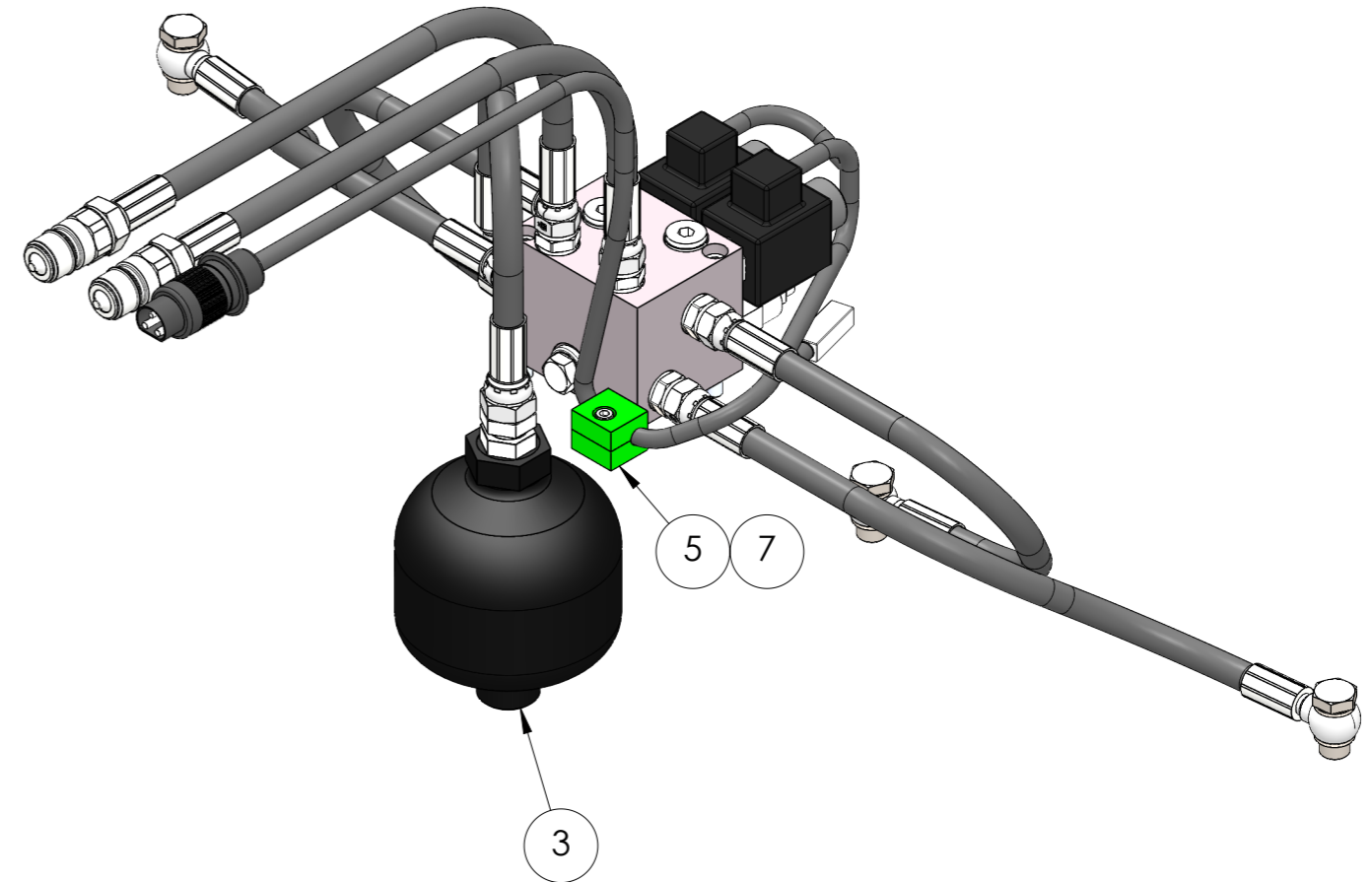
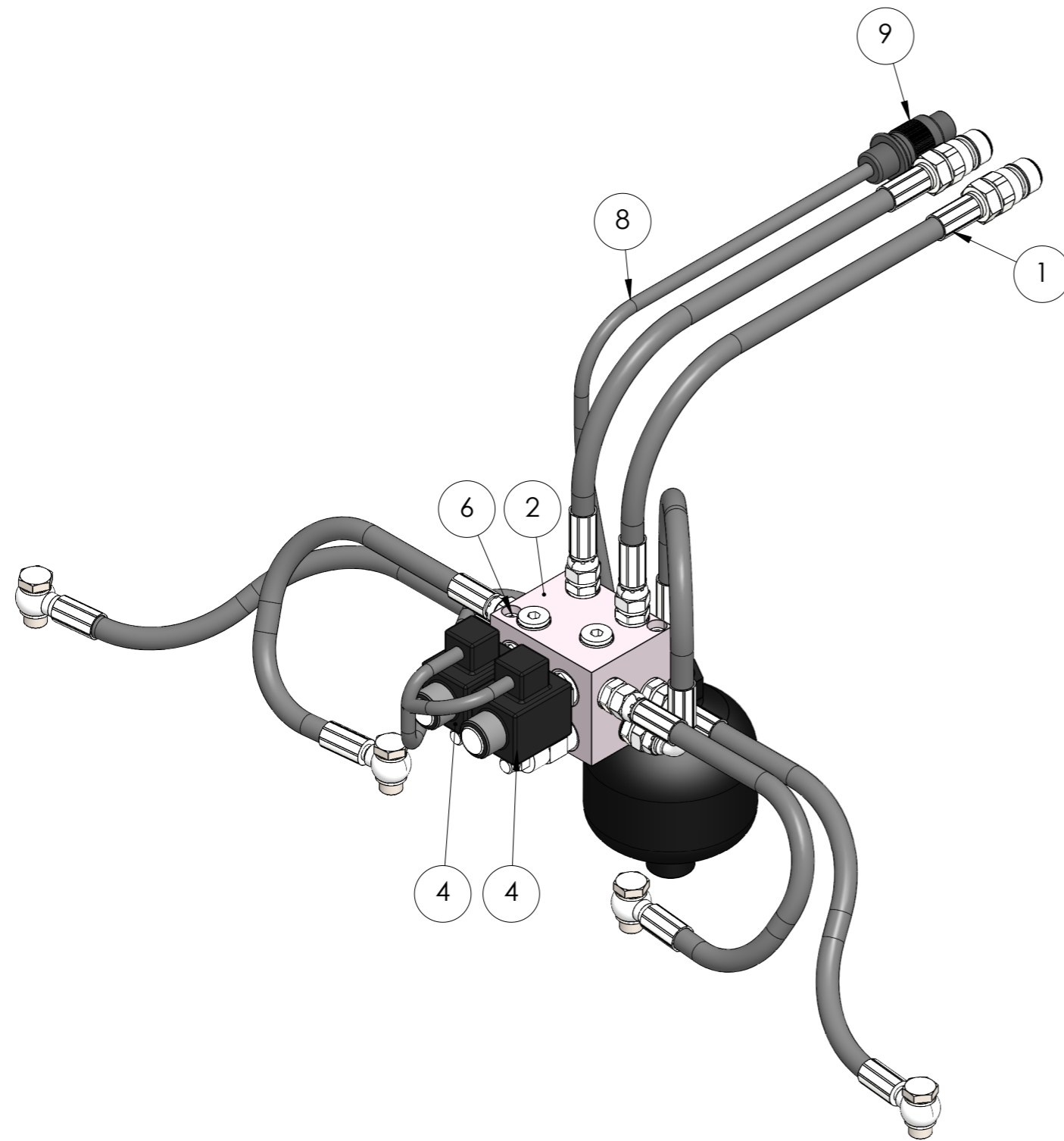


LED light set

Revision

Date 29.05.2024

486.800



9	217B0011	3-pin plug	1	
8	299A0380	Cable set	1	
7	201A1524	Socket head cap screw	1	DIN 912 - M6x20 - Zn
6	201A1556	Socket head cap screw	2	DIN 912 - M8x80 - Zn
5	208E0437	Hose clamp	2	A0 10
4	217B0240	Coil 12VDC	2	
3	208E1002	Accumulator	1	
2	208E0743	Hydraulic valve	1	
1	486.920	Hose set	1	
Pos.	Dwg. No.	Part Name	Quantity	Notes



Hydraulic set 1

Revision

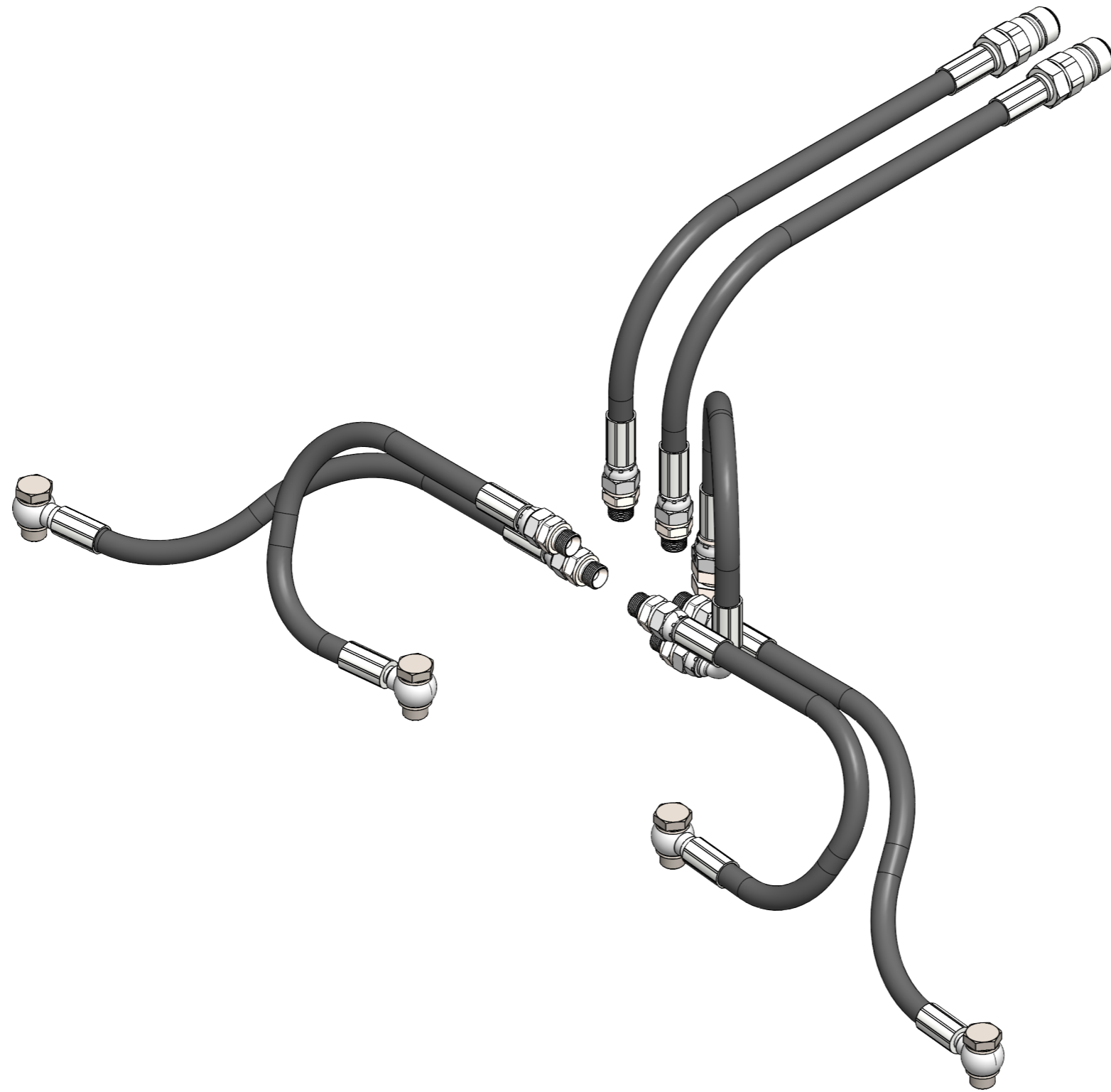
Date 29.05.2024

486.900



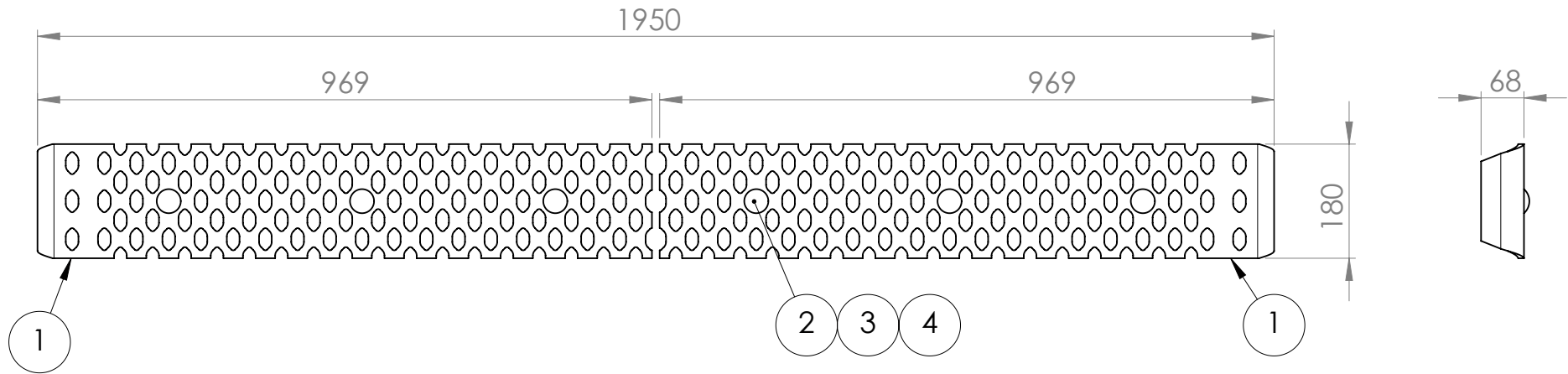
Hydraulic set 2

Revision	
Date	29.05.2024
486.910	



Hose set

Revision	
Date	29.05.2024
486.920	



4	204A1608	Nut	6	DIN 985 (Nylock) M16 - Zn
3	203A0209	Washer	6	DIN 125 - M16 - Zn
2	201A0502	Carriage bolt	6	DIN 603 - M16x40 - Zn
1	216A0223	Olofsfors Sharp edge with bend end	2	
Pos.	Dwg. No.	Part Name	Quantity	Notes



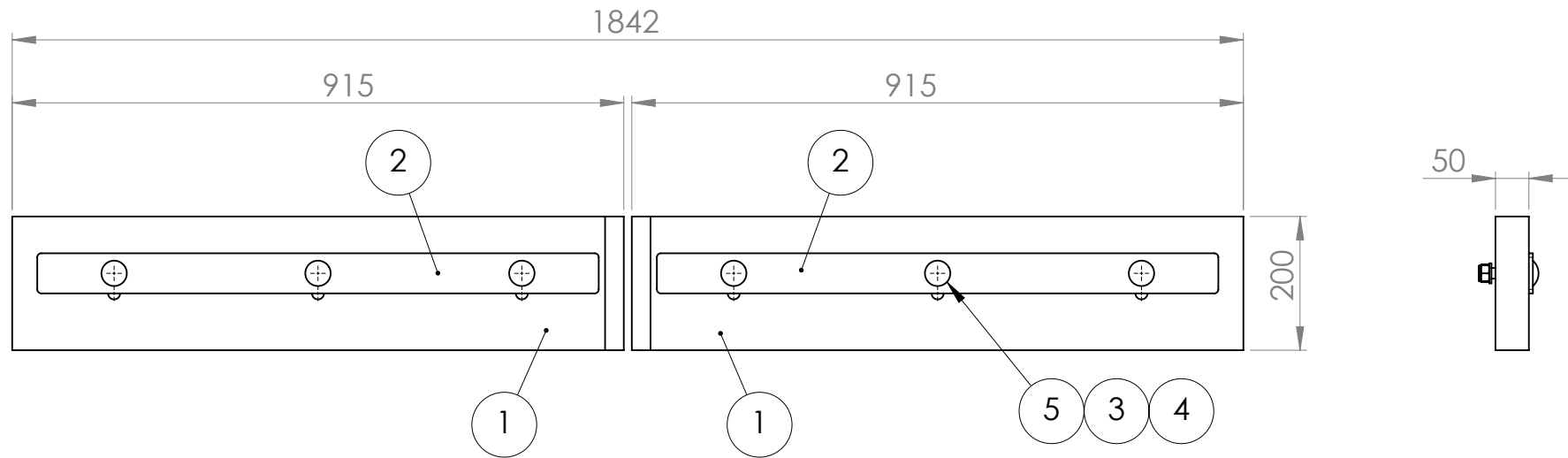
Net blades set

Revision

Date

29.05.2024

486.1020

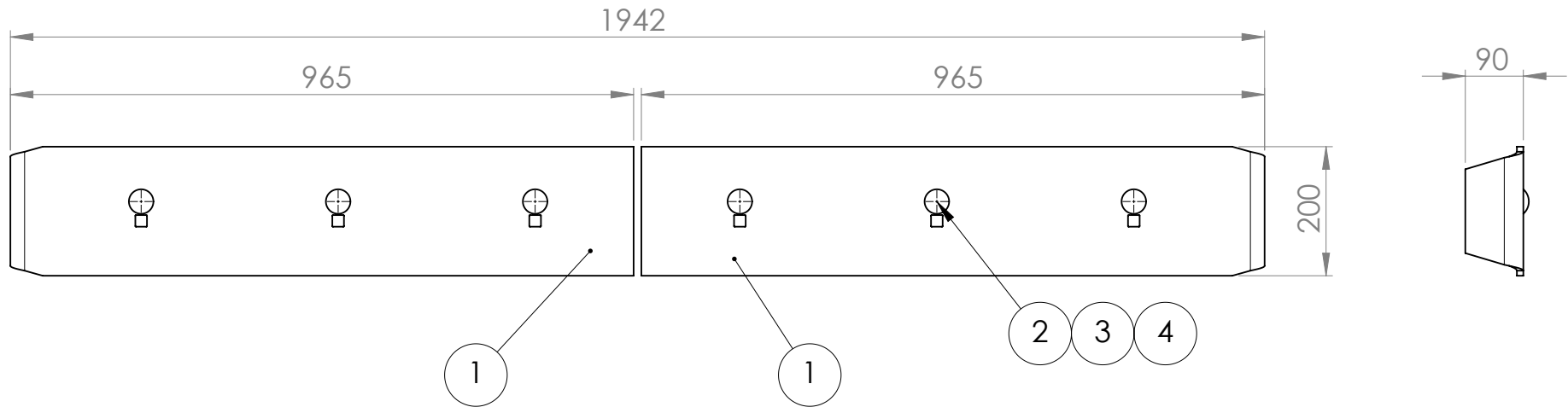


5	201A0508	Carriage bolt	6	DIN 603 - M16x80 - Zn
4	204A1608	Nut	6	DIN 985 (Nylock) M16 - Zn
3	203A0209	Washer	6	DIN 125 - M16 - Zn
2	12.3.014.1	Bracket	2	
1	12.3.020	Rubber blade	2	915 mm
Pos.	Dwg. No.	Part Name	Quantity	Notes



Rubber blade set

Revision	
Date	29.05.2024
486.1030	



4	204A1608	Nut	6	DIN 985 (Nylock) M16 - Zn
3	203A0209	Washer	6	DIN 125 - M16 - Zn
2	201A0502	Carriage bolt	6	DIN 603 - M16x40 - Zn
1	216A0221	Olofsfors blade with bent end	2	
Pos.	Dwg. No.	Part Name	Quantity	Notes



Solid blades set

Revision

Date

29.05.2024

486.1070