


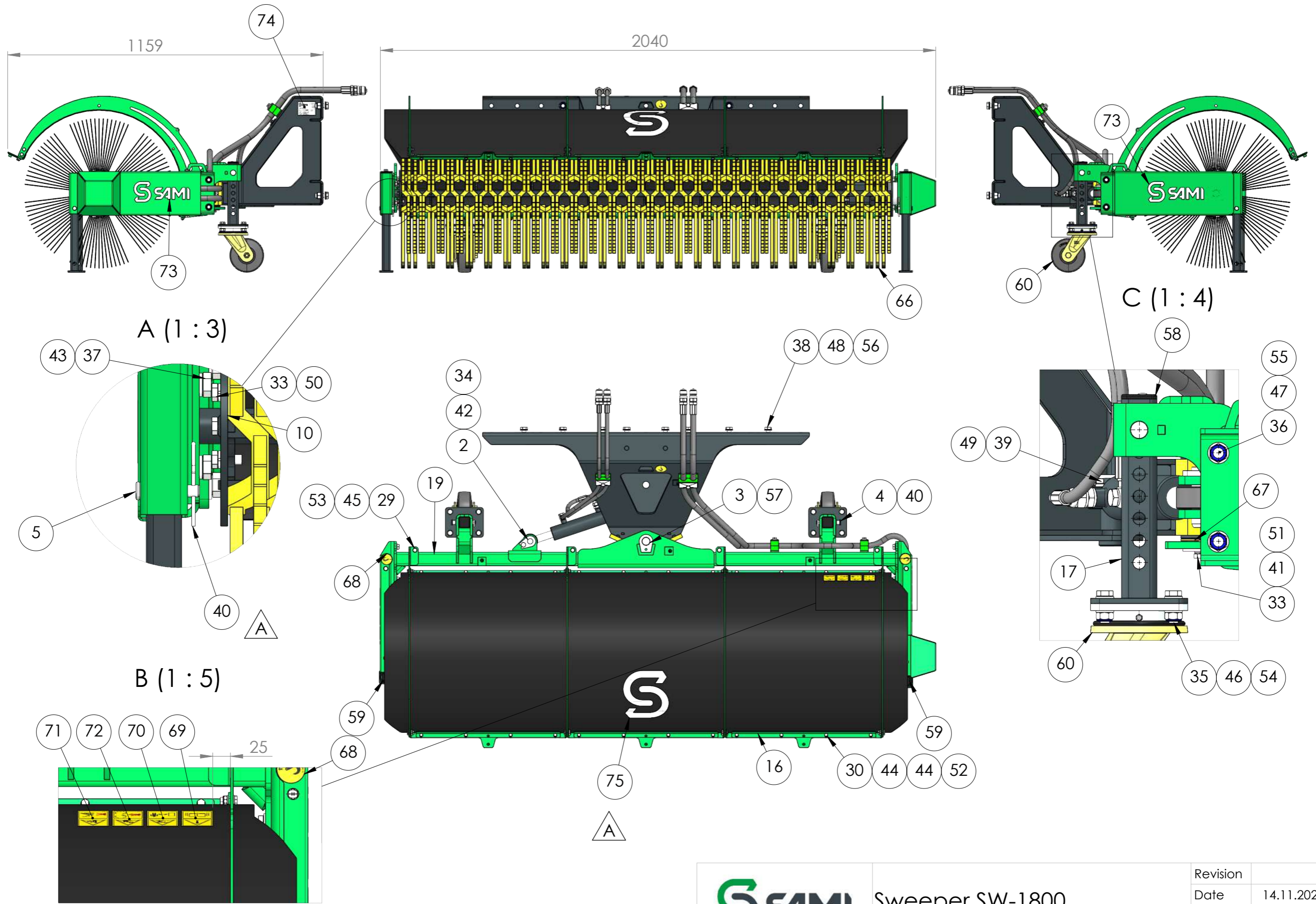
80	438.750	Led light set	1	<b>Special order</b>
79	438.730	Dust cover	1	<b>Special order</b>
78	438.720	Pump set	1	<b>Special order</b>
77	438.710	Water tank set 600 l	1	<b>Special order</b>
76	438.700	Water system	1	<b>Special order</b>
75	S1203	Sticker	1	Sami symbol white
74	S101	Sticker	1	Serial No.
73	S1002	Sami logo horisontal sticker	2	White 75x205mm
72	A46806	Warning label	1	
71	A46803	Warning label	1	
70	A46799	Warning label	1	
69	A46771	Warning label	1	Read before using
68	A410132	Sticker	3	Lifting
67	213A0118	Bushing	2	
66	212A0104	Brush ring	53	
65	208F0106	Bearing unit	1	
64	208E0419K	Hose clamp set	3	AD3 22-22 S
63	208E0419	Hose clamp	2	AD3 22-22 S
62	208E0404K	Hose clamp set	1	
61	208E0229	Hydraulic motor	1	
60	208A0214	Support wheel	2	
59	299A0452	Plug	2	
58	299A0453	Plug	2	
57	207A0101	Grease nipple	1	DIN 71412 - M6
56	204A1619	Nut	8	DIN 985 (Nylock) M14 - Zn
55	204A1607	Nut	12	DIN 985 (Nylock) M12 - Zn
54	204A1606	Nut	8	DIN 985 (Nylock) M10 - Zn
53	204A1605	Nut	4	DIN 985 (Nylock) M8 - Zn
52	204A1604	Nut	40	DIN 985 (Nylock) M6 - Zn
51	203A2900	Washer	1	
50	203A0503	Spring washer	4	DIN 127 - M8 - Zn
49	203A0212	Washer	1	DIN 125 - M20 - Zn
48	203A0208	Washer	16	DIN 125 - M14 - Zn
47	203A0207	Washer	16	DIN 125 - M12 - Zn
Pos.	Dwg. No.	Part Name	Quantity	Notes

46	203A0206	Washer	16	DIN 125 - M10 - Zn
45	203A0205	Washer	16	DIN 125 - M8 - Zn
44	203A0204	Washer	80	DIN 125 - M6 - Zn
43	203A0105	Washer	12	DIN 25201 - M12 - Zn
42	203A0104	Washer	1	DIN 25201 - M10 - Zn
41	203A0103	Washer NordLock	1	DIN 25201 - M8 - Zn
40	202A0802	Retaining Pin	4	DIN11024 - Ø3 - Zn
39	202A0101	Lynch pin	1	DIN 11023 - Ø4,5 - Zn
38	201A22112	Hexagon head bolt	8	DIN 933 - M14x40 - Zn
37	201A22075	Hexagon head bolt	4	DIN 933 - M12x 40 - Zn
36	201A22074	Hexagon head bolt	8	DIN 933 - M12x 35 - Zn
35	201A22046	Hexagon head bolt	8	DIN 933 - M10x 30 - Zn
34	201A22043	Hexagon head bolt	1	DIN 933 - M10x 16 - Zn
33	201A22025	Hexagon head bolt	5	DIN 933 - M 8x 20 - Zn
32	201A22022	Hexagon head bolt	8	DIN 933 - M 8x 12 - Zn
31	201A22006	Hexagon head bolt	16	DIN 933 - M 6x20 - Zn
30	201A22005	Hexagon head bolt	24	DIN 933 - M 6x16 - Zn
29	201A219905	Hexagon head bolt	4	DIN 931 - M 8x130 - Zn
28	201A2062	Hexagon socket countersunk head screw	4	DIN7991 - M6x16 - Zn
27	201A1572	Socket head cap screw	4	DIN 912 - M12x55 - Zn
26	201A1510	Socket head cap screw	1	DIN 912 - M8x35 - Zn
25	438.910	Hydraulic set	1	
24	438.900	Hydraulic set	1	
23	438.330	Clutch	1	
22	438.300	Brush shaft	1	
21	438.230	Bearing bracket	1	
20	438.220	Motor bracket	1	
19	438.200	Sweeper frame	1	
18	438.100	Frame	1	
17	438.040	Wheel bracket	2	
16	438.033	Bracket	6	
15	438.031	Rear bracket	3	
14	438.030	Front bracket	3	
13	438.022	Arc (R)	2	
12	438.021	Arc (L)	2	
11	438.010	Support leg	2	
10	438.005	Brush ring bracket	1	
9	438.003	Motor cover	1	
8	438.002	Bearing cover	1	
7	438.001	Plastic cover	1	
6	378.009	Cushion	2	
5	28.2023	Pin	2	
4	28.2022	Pin	2	
3	28.1030	Pin	1	
2	28.1016	Pin	1	
1	11.012	Hydraulic cylinder	1	

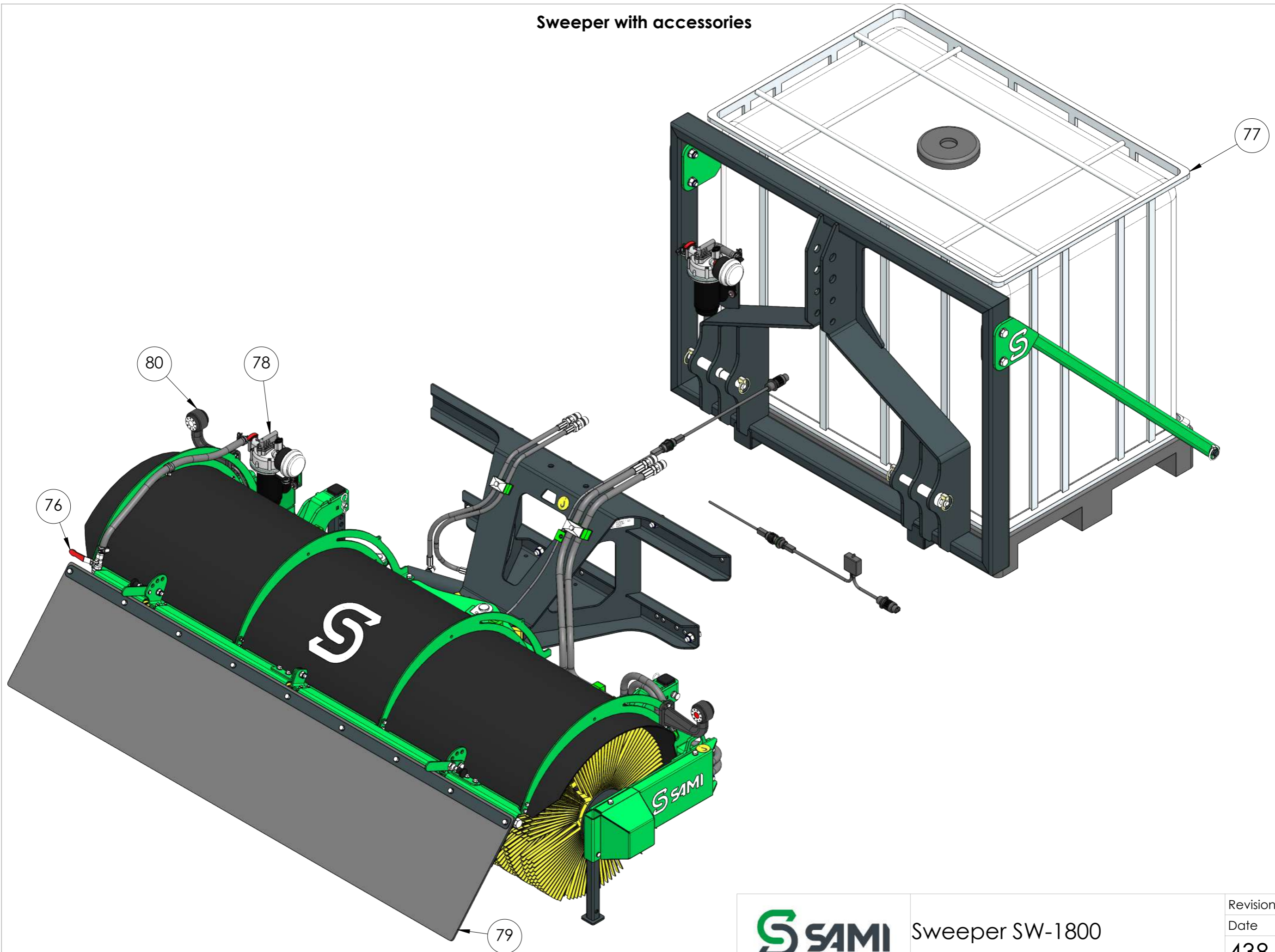
Pos.	Dwg. No.	Part Name	Quantity	Notes
				Revision
Sweeper SW-1800				Date 14.11.2023
				438.000



Sweeper with standard equipment

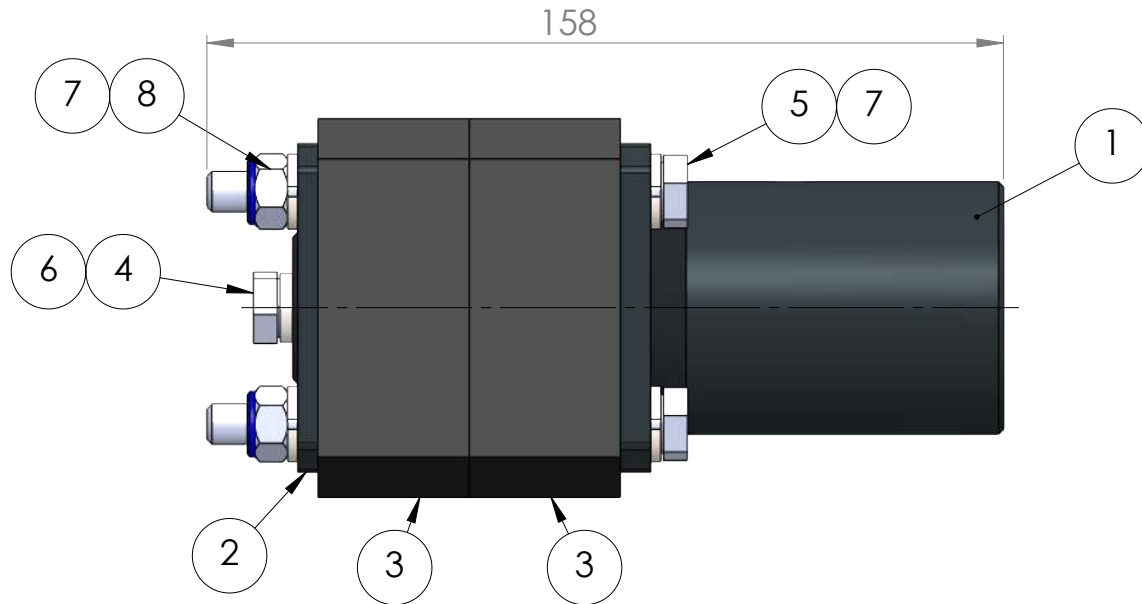
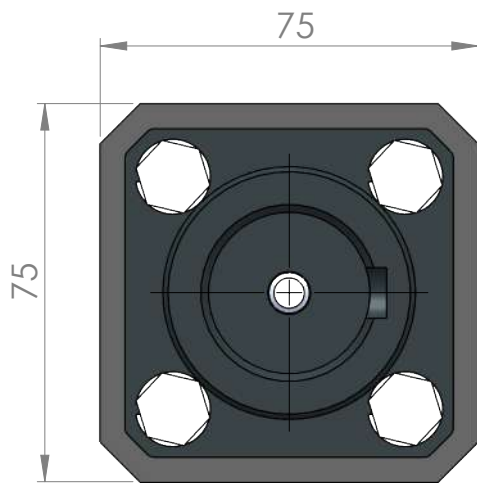


# Sweeper with accessories



**SAMI** Sweeper SW-1800

Revision	
Date	14.11.2023
438.000	



8	204A1605	Nut	4	DIN 985 (Nylock) M8 - Zn
7	203A0503	Spring washer	8	DIN 127 - M8 - Zn
6	203A0103	Washer	1	DIN 25201 - M8 - Zn
5	201A2121	Hexagon head bolt	4	DIN 931 - M 8x 90 - Zn
4	201A2191	Hexagon head bolt	1	DIN 931 - M 8x100 - Zn
3	438.334	Rubber bushing	2	
2	438.332	Plate	1	
1	438.320	Flange	1	
Pos.	Dwg. No.	Part Name	Quantity	Notes



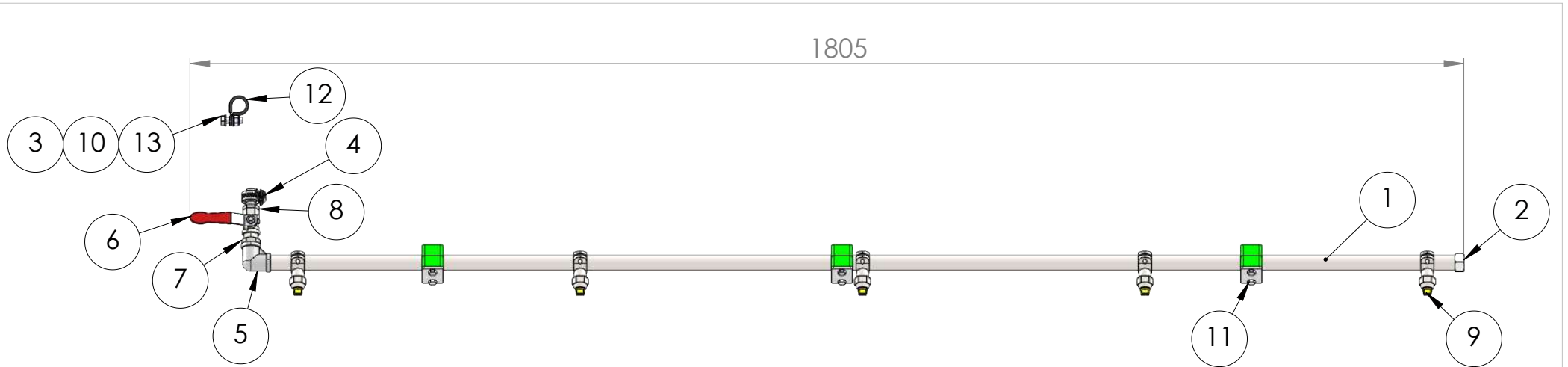
Clutch

Revision

Date

14.11.2023

438.330



13	204A1605	Nut	1	DIN 985 (Nylock) M8 - Zn
12	203A0205	Washer	2	DIN 125 - M8 - Zn
11	201A22026	Hexagon head bolt	1	DIN 933 - M 8x 25 - Zn
10	299A0217	Hose clamp	1	DIN3016 D20x15
9	208E0430K	Pipe clamp set	3	
8	299A0204	Hose Clamp	1	ABA 19-28mm
7	299A0225K	Nozzle set	5	
6	299A0228	Male barbed hose fitting	1	
5	299A0303	Fitting	1	
4	299A0227	Ball valve	1	3/8"
3	299A0229	Blind nut	1	Stainless 1/2"
2	299A0223	Fitting 90° 1/2	1	
1	377.502	Water pipe	1	
Pos.	Dwg. No.	Part Name	Quantity	Notes



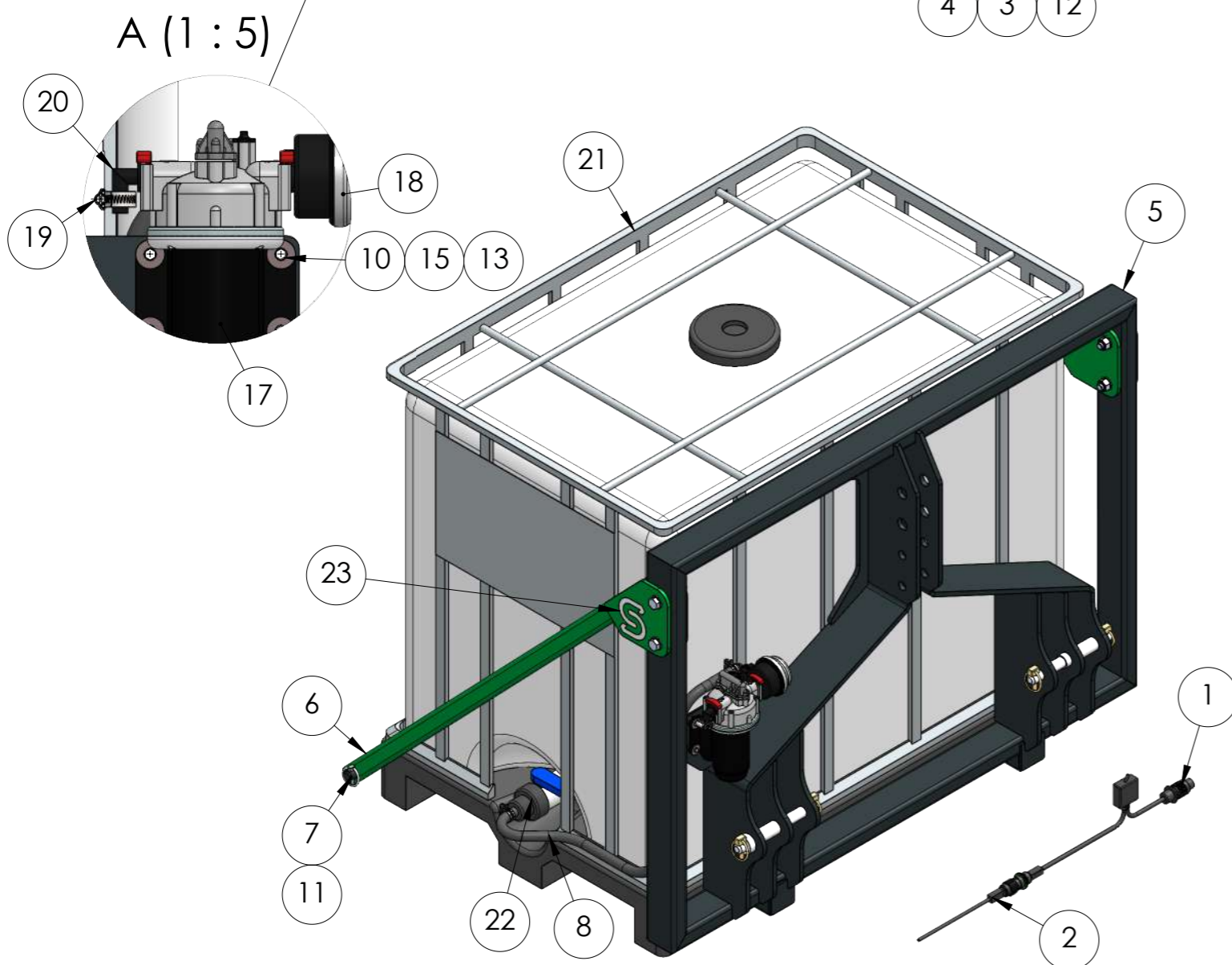
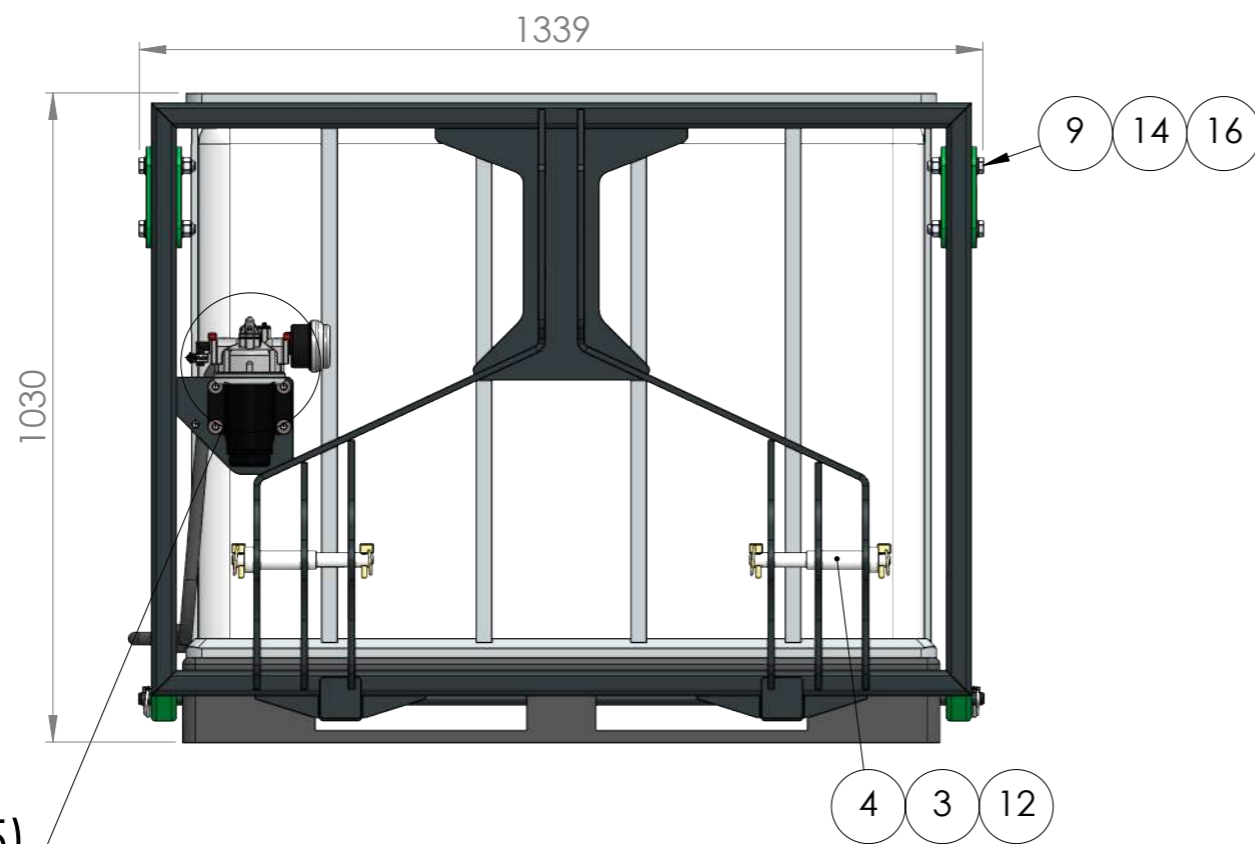
Water system

Revision

Date

13.11.2023

438.700



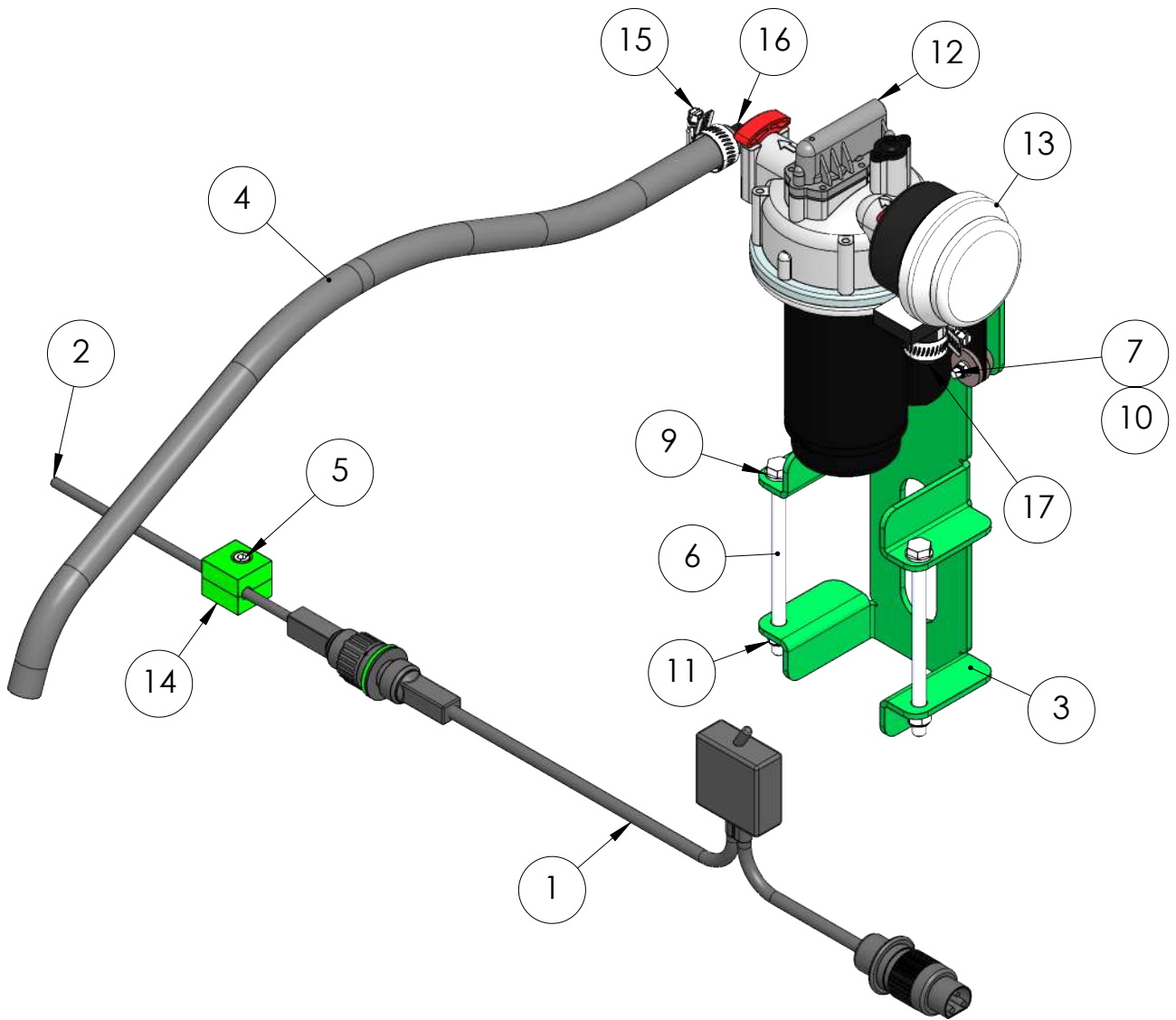
23	S1201	Sticker	2	White 75x90
22	299A0451	Adapter	1	
21	299A0450	Water tank 600 l	1	
20	299A0275	1/2" barb 90deg fitting	2	
19	299A0204	Hose Clamp	3	ABA 19-28mm
18	217A0109	Pump filter	1	
17	217A0108	Water pump	1	
16	204A1619	Nut	4	DIN 985 (Nylock) M14 - Zn
15	204A1603	Nut	4	DIN 985 (Nylock) M5 - Zn
14	203A0208	Washer	8	DIN 125 - M14 - Zn
13	203A0203	Washer	4	DIN 125 - M5 - Zn
12	202A0102	Lynch pin	4	DIN 11023 - Ø8 - Zn
11	202A0101	Lynch pin	2	DIN 11023 - Ø4,5 - Zn
10	201A22138	Hexagon head bolt	4	DIN 933 - M 5x30 - Zn
9	201A2174	Hexagon head bolt	4	DIN 931 - M14x80 - Zn
8	110B1001	Hose	1	
7	438.788	Rod	1	
6	438.780	Bracket	2	
5	438.770	Water tank frame	1	3P (cat. 1 + cat. 2)
4	230.031	Pin	2	
3	78.465	Distance bushing	2	
2	10.005	Electric cable	1	
1	10.001	Electric cable with switch	1	

Pos.	Dwg. No.	Part Name	Quantity	Notes
------	----------	-----------	----------	-------



Water tank set 600 l - 3P  
(cat. 1 + cat. 2)

Revision	
Date	13.11.2023
438.710	



17	299A0356	1/2" barb fitting	1	
16	299A0275	1/2" barb 90deg fitting	1	
15	299A0204	Hose Clamp	2	ABA 19-28mm
14	299A0188	Hose clamp	2	
13	217A0109	Pump filter	1	
12	217A0108	Water pump	1	
11	204A1605	Nut	2	DIN 985 (Nylock) M8 - Zn
10	204A1603	Nut	4	DIN 985 (Nylock) M5 - Zn
9	203A0205	Washer	4	DIN 125 - M8 - Zn
8	203A0203	Washer	6	DIN 125 - M5 - Zn
7	201A22138	Hexagon head bolt	4	DIN 933 - M 5x30 - Zn
6	201A219905	Hexagon head bolt	2	DIN 931 - M 8x130 - Zn
5	201A1524	Socket head cap screw	1	DIN 912 - M6x20 - Zn
4	110B1001	Hose	1	
3	438.721	Pump bracket	1	
2	10.005	Electric cable	1	
1	10.001	Electric cable with switch	1	
Pos.	Dwg. No.	Part Name	Quantity	Notes



Pump set

Revision

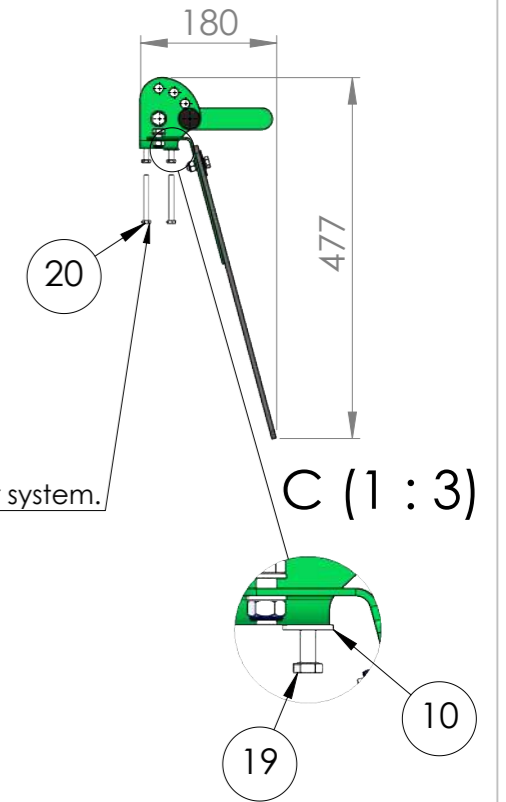
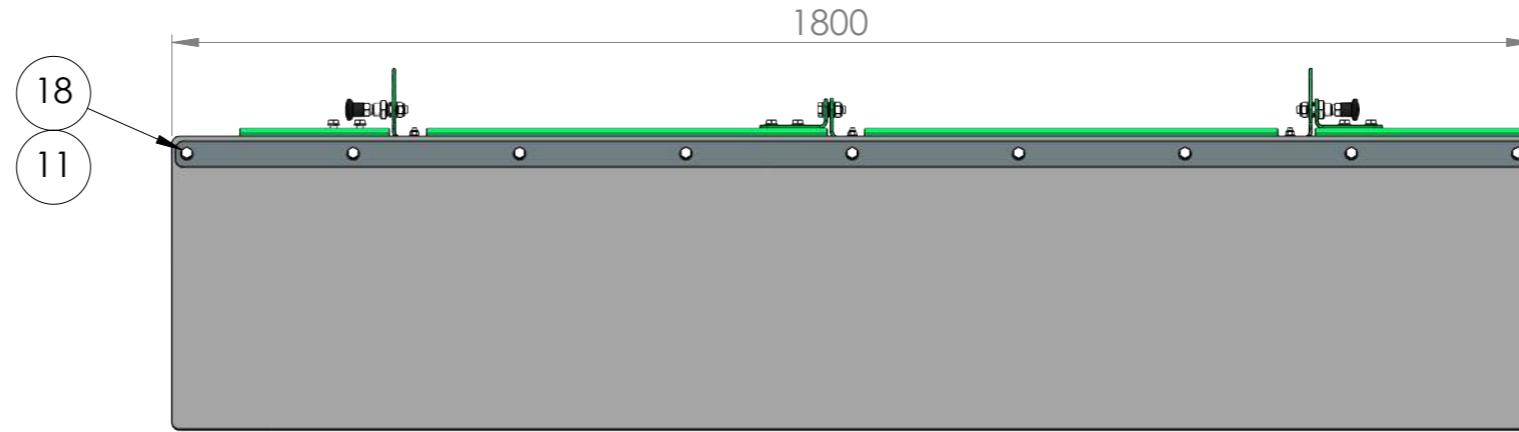
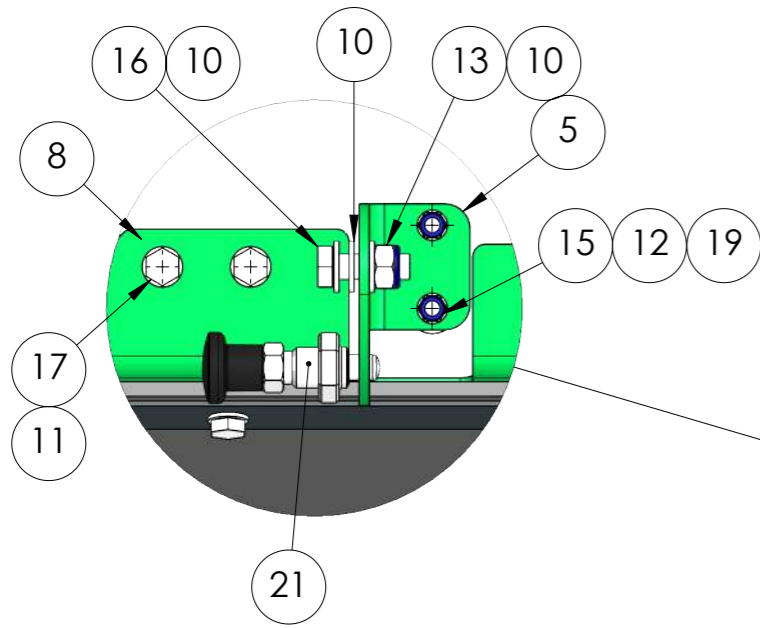
Date

13.11.2023

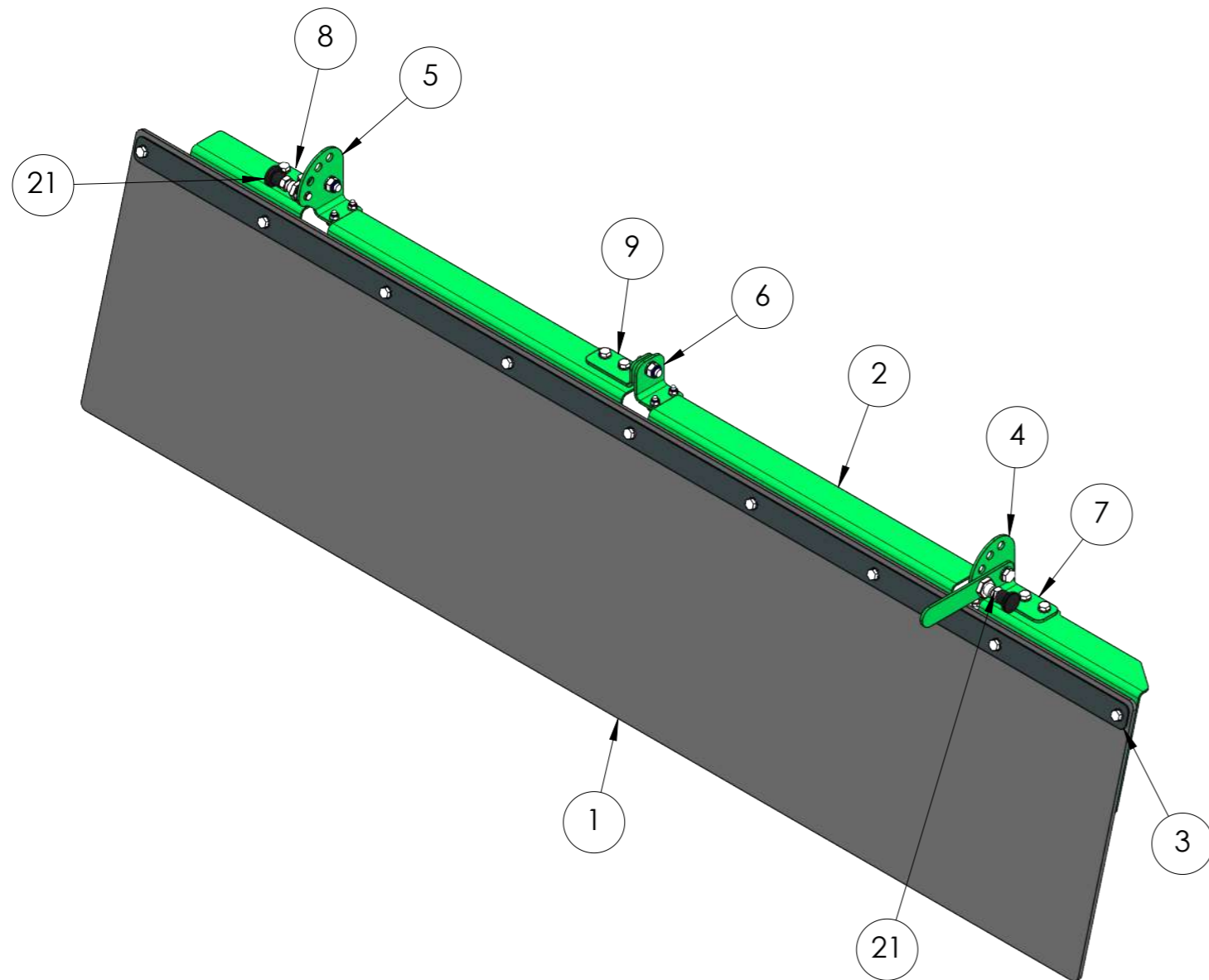
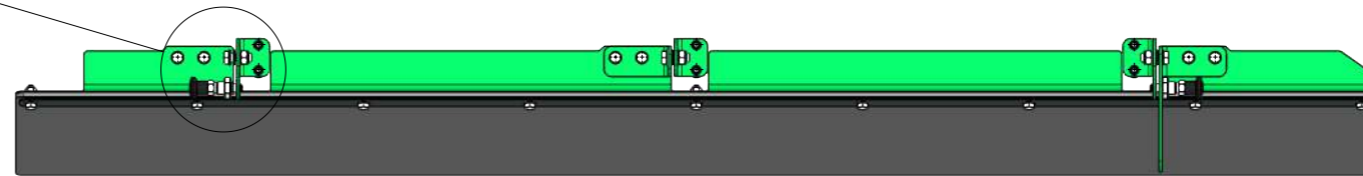
438.720



A (1 : 3)



Bolts for mounting on a sweeper with a water system.



21	299A0215	Indexing plunger	2	
20	201A22014	Hexagon head bolt	6	DIN 933 - M 6x60 - Zn
19	201A22008	Hexagon head bolt	6	DIN 933 - M 6x30 - Zn
18	201A22026	Hexagon head bolt	9	DIN 933 - M 8x 25 - Zn
17	201A22025	Hexagon head bolt	6	DIN 933 - M 8x 20 - Zn
16	201A22046	Hexagon head bolt	3	DIN 933 - M10x 30 - Zn
15	204A1604	Nut	6	DIN 985 (Nylock) M6 - Zn
14	204A1605	Nut	15	DIN 985 (Nylock) M8 - Zn
13	204A1606	Nut	3	DIN 985 (Nylock) M10 - Zn
12	203A0204	Washer	6	DIN 125 - M6 - Zn
11	203A0205	Washer	30	DIN 125 - M8 - Zn
10	203A0206	Washer	12	DIN 125 - M10 - Zn
9	438.739	Bracket	1	
8	438.738	Handle (R)	1	
7	438.737	Handle (L)	1	
6	438.736	Bracket (M)	1	
5	438.735	Bracket (R)	1	
4	438.734	Bracket (L)	1	
3	438.733	Rubber bracket	1	
2	438.732	Bracket	1	
1	438.731	Rubber	1	
Pos.	Dwg. No.	Part Name	Quantity	Notes

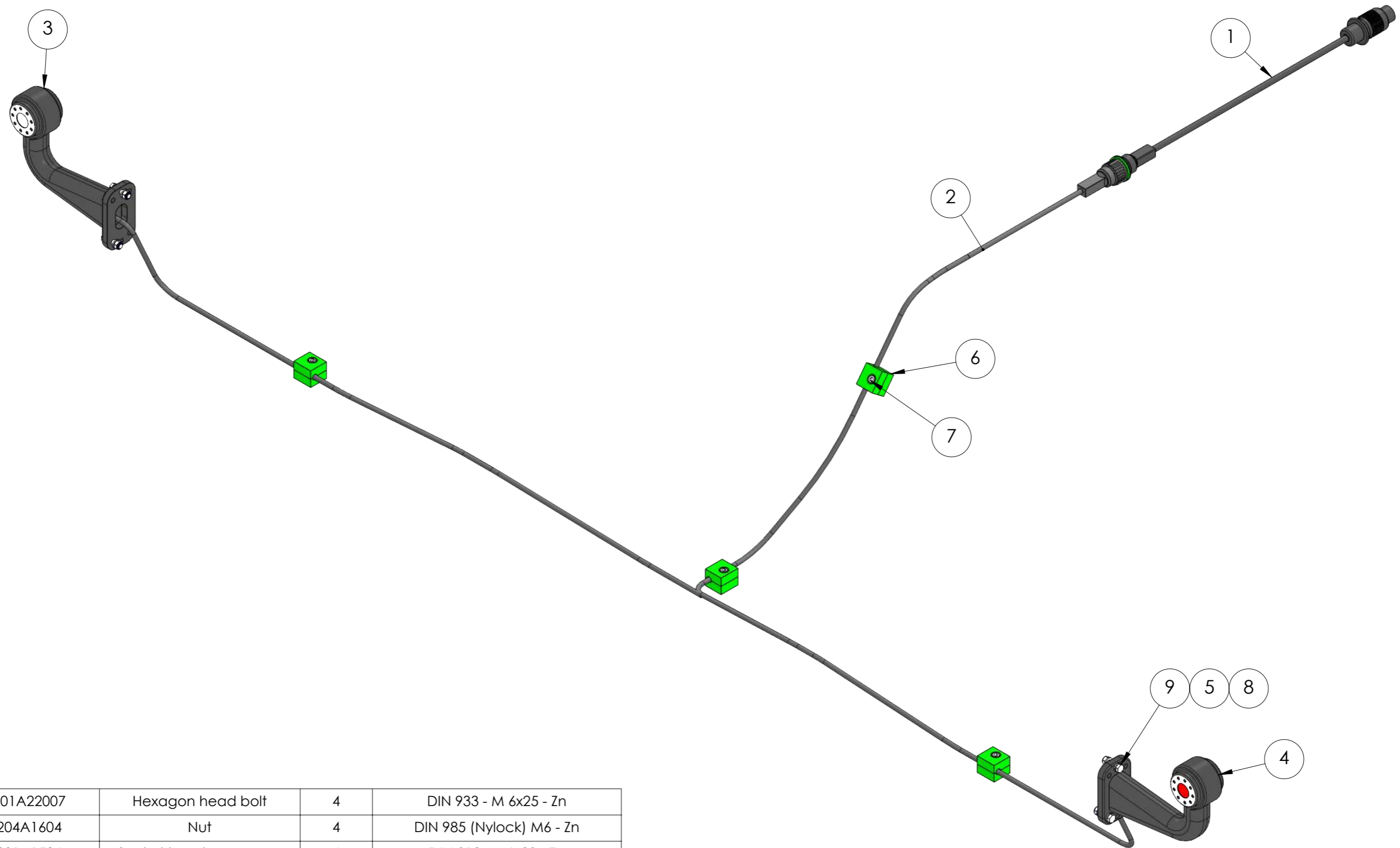
**SAMI**

Dust cover

Revision

Date 13.11.2023

438.730

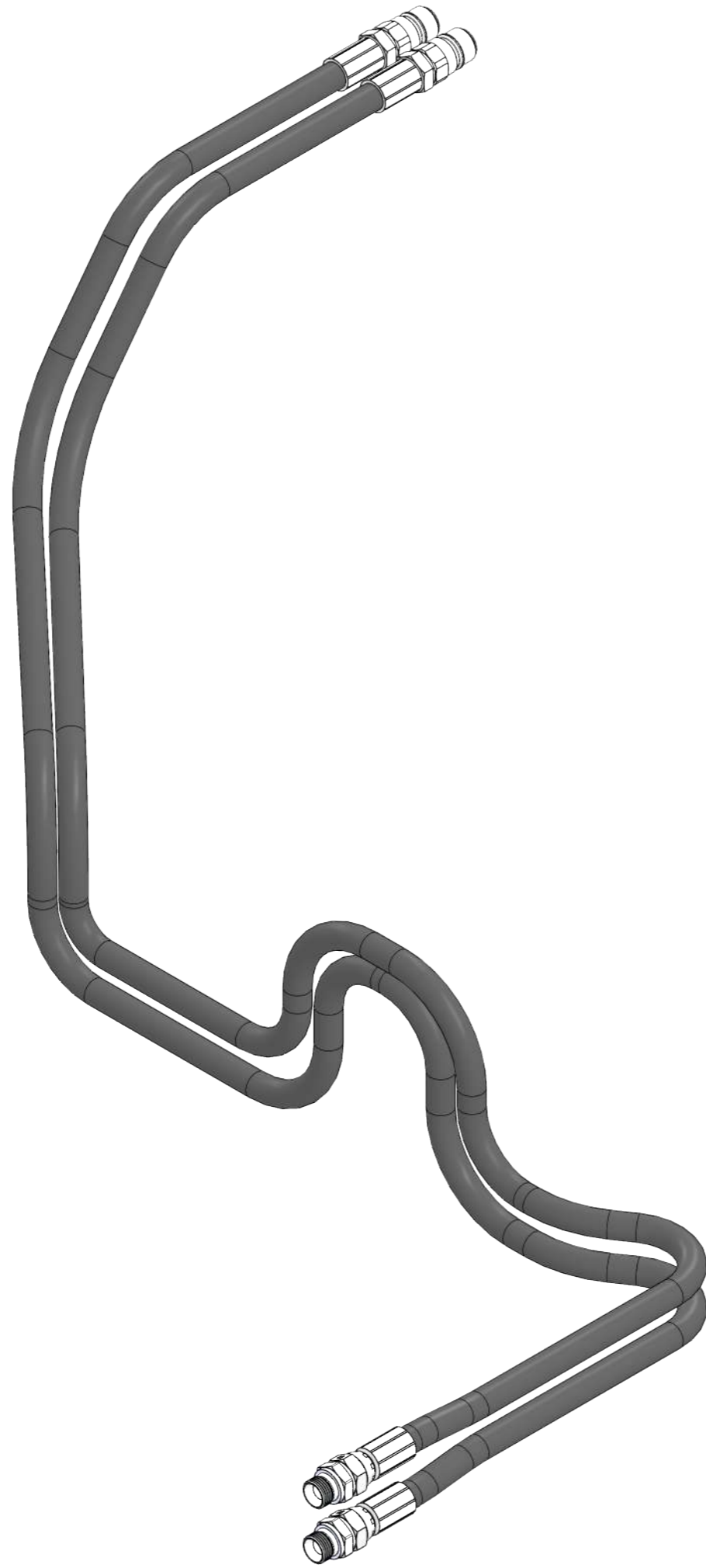


9	201A22007	Hexagon head bolt	4	DIN 933 - M 6x25 - Zn
8	204A1604	Nut	4	DIN 985 (Nylock) M6 - Zn
7	201A1524	Socket head cap screw	4	DIN 912 - M6x20 - Zn
6	299A0188	Hose clamp	8	
5	203A0204	Washer	8	DIN 125 - M6 - Zn
4	217B0226	Led light	1	
3	217B0225	Led light	1	
2	10.007	Electric cable	1	
1	10.006	Electric cable	1	
Pos.	Dwg. No.	Part Name	Quantity	Notes



Led light set

Revision	
Date	13.11.2023
438.750	



Hydraulic set

Revision	
Date	13.11.2023
438.900	



Hydraulic set

Revision	
Date	13.11.2023
438.910	