
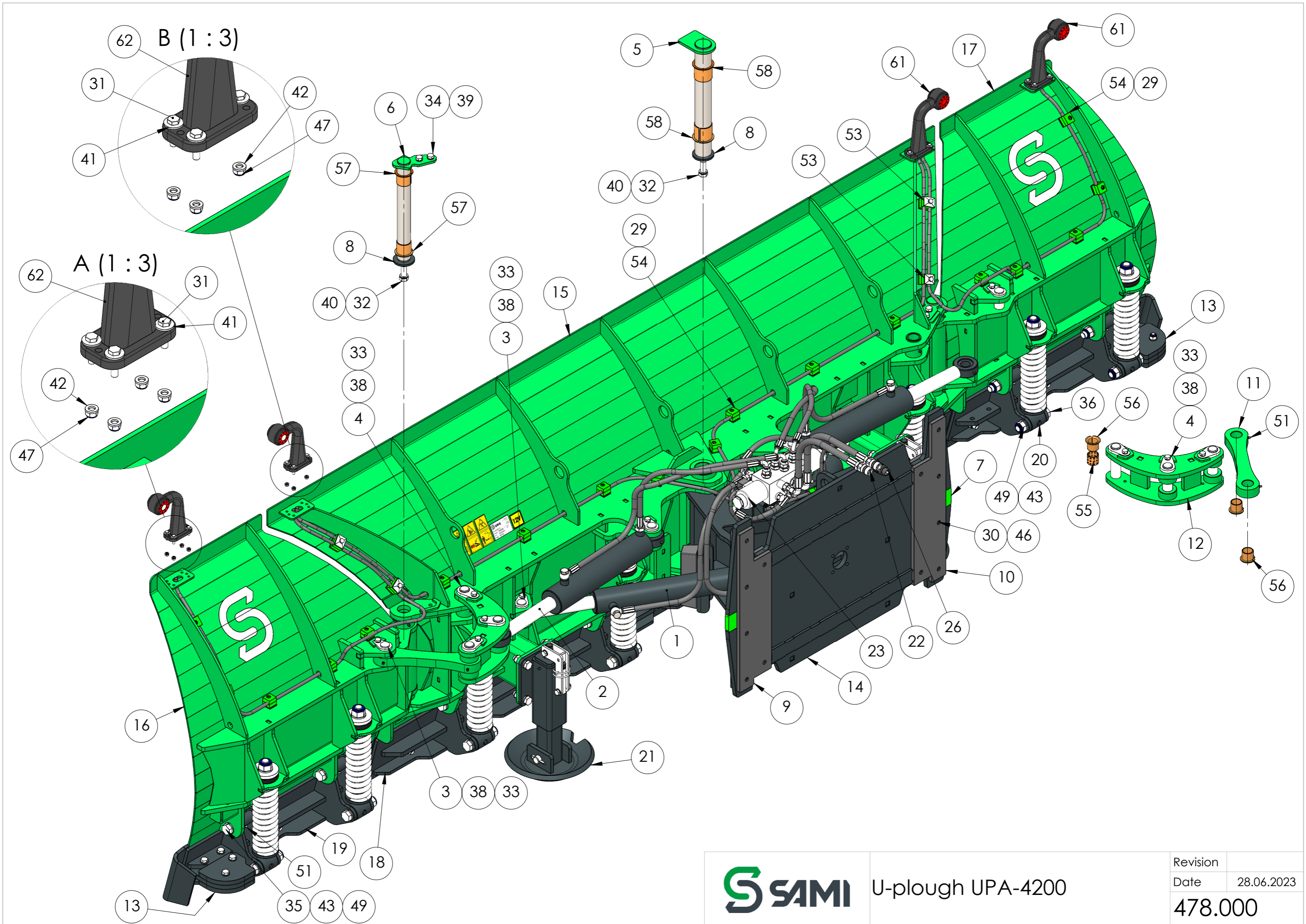



73	478.1070	Solid blades set	1	<b>Special order</b>
72	478.1030	Rubber blade set	1	<b>Special order</b>
71	478.1020	Net blades set	1	<b>Special order</b>
70	33047	24V Coil	2	<b>Special order</b>
69	S2107	Sticker	1	12V
68	S101	Sticker	1	Serial No.
67	A46803	Warning label	1	
66	A46772	Warning label	1	
65	A46771	Warning label	1	Read before using
64	S1203	Sticker	2	Sami symbol white
63	S1005	Sticker	1	Sami logo white
62	217B0225	Led light	2	
61	217B0226	Led light	2	
60	216A0220	Olofsfors blade with bend end	2	
59	216A0215	Olofsfors blade	2	
58	213A0143	Bushing	2	
57	213A0171	Bushing	4	
56	213A0118	Bushing	6	
55	213A0106	Bushing	2	
54	208E0437	Hose clamp	38	A0 10
53	208E0426K	Hose clamp set	5	
52	299A0340	Rubber buffer	2	
51	207A0101	Grease nipple	20	DIN 71412 - M6
50	204A1606	Nut	4	DIN 985 (Nylock) M10 - Zn
49	204A1609	Nut	16	DIN 985 (Nylock) M20 - Zn
48	204A1608	Nut	14	DIN 985 (Nylock) M16 - Zn
47	204A1604	Nut	14	DIN 985 (Nylock) M6 - Zn
Pos.	Dwg. No.	Part Name	Quantity	Notes

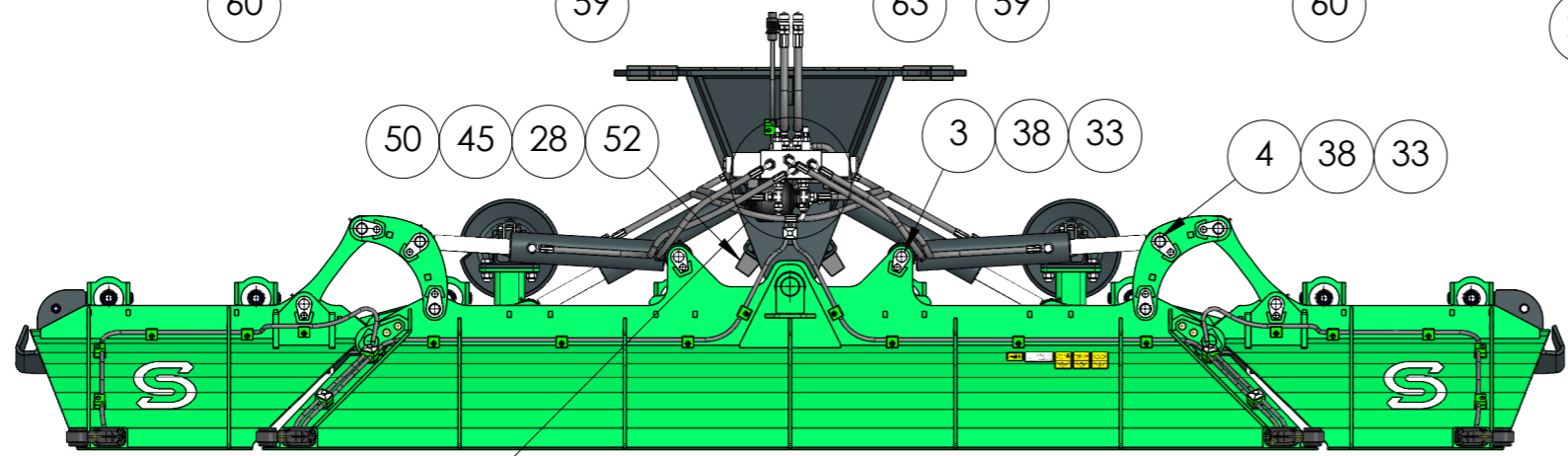
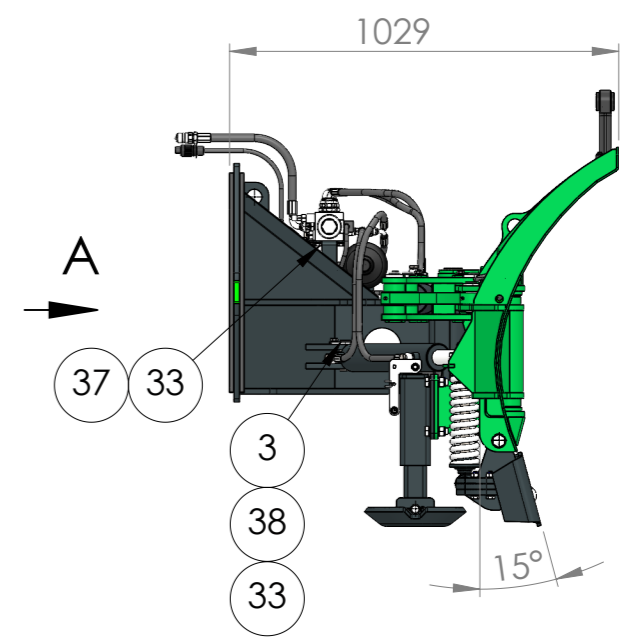
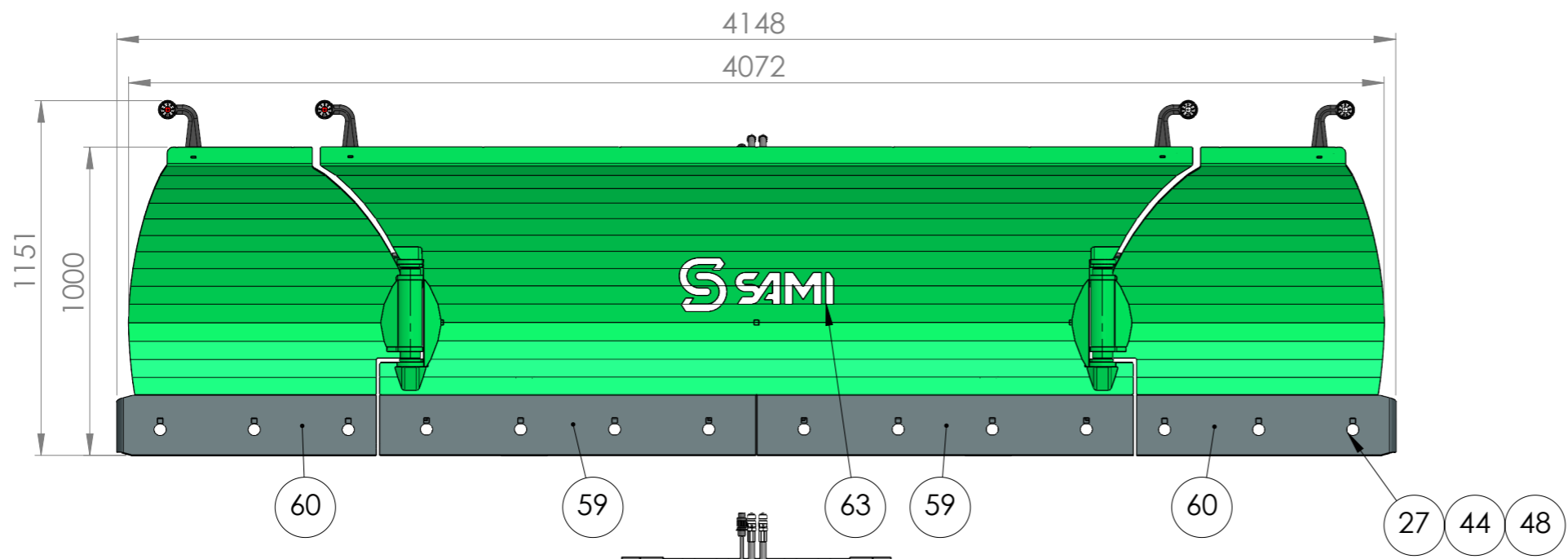
46	204A1104	Hexagon thin nut	12	DIN 936 - M8 - Zn
45	203A0206	Washer	4	DIN 125 - M10 - Zn
44	203A0209	Washer	14	DIN 125 - M16 - Zn
43	203A0212	Washer	32	DIN 125 - M20 - Zn
42	203A0204	Washer	14	DIN 125 - M6 - Zn
41	203A2701	Washer	14	DIN9021 - M6 - Zn
40	203A0106	Washer NordLock	3	DIN 25201 - M16 - Zn
39	203A0105	Washer NordLock	4	DIN 25201 - M12 - Zn
38	203A0104	Washer	14	DIN 25201 - M10 - Zn
37	203A0502	Spring washer	3	DIN 127 - M10 - Zn
36	201A2157	Hexagon head bolt	8	DIN 931 - M20x110 - Zn
35	201A2130	Hexagon head bolt	8	DIN 931 - M20x160 - Zn
34	201A22071	Hexagon head bolt	4	DIN 933 - M12x 20 - Zn
33	201A22044	Hexagon head bolt	17	DIN 933 - M10x 20 - Zn
32	201A22105	Hexagon head bolt	3	DIN 933 - M16x 40 - Zn
31	201A22007	Hexagon head bolt	14	DIN 933 - M 6x25 - Zn
30	201A22150	Low head socket cap screw	12	DIN 6912 - M8x30 - Zn
29	201A1524	Socket head cap screw	19	DIN 912 - M6x20 - Zn
28	216A0310	Bolt	4	DIN 603 - M10x50 - Zn
27	201A0509	Bolt	14	DIN 603 - M16x50 - Zn
26	217B0011	3-pin plug	1	
25	299A0380	Electric cable	1	
24	208E1002	Accumulator	1	
23	208E0736	Hydraulic valve	1	
22	478.900	Hydraulic set	1	
21	478.600	Support ski	2	
20	478.500	Spring set	8	
19	478.410	Side blade holder	2	
18	478.400	Middle blade holder	2	
17	478.350	Right wing	1	
16	478.300	Left wing	1	
15	478.200	Plough	1	
14	478.100	Frame	1	
13	478.030	Curb protector	2	
12	478.020	Bracket	2	
11	478.010	Bracket	2	
10	475.004	Slide plate	2	
9	475.003	Slide plate	2	
8	462.006	Washer	3	
7	461.004	Plastic plate	2	
6	28.1027	Pin	2	
5	28.1026	Middle pin	1	
4	28.1025	Pin	6	
3	28.1012	Pin	8	
2	11.016	Hydraulic cylinder	2	
1	11.015	Hydraulic cylinder	2	

Pos.	Dwg. No.	Part Name	Quantity	Notes
			U-plough UPA-4200	Revision
				Date
				478.000

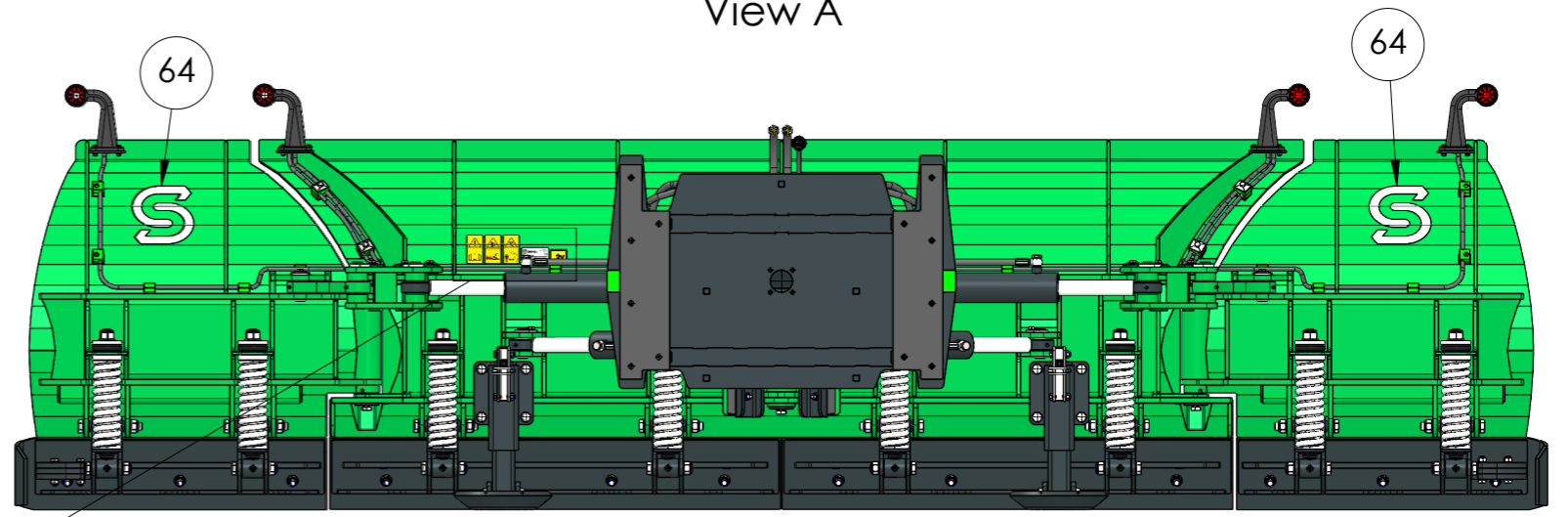
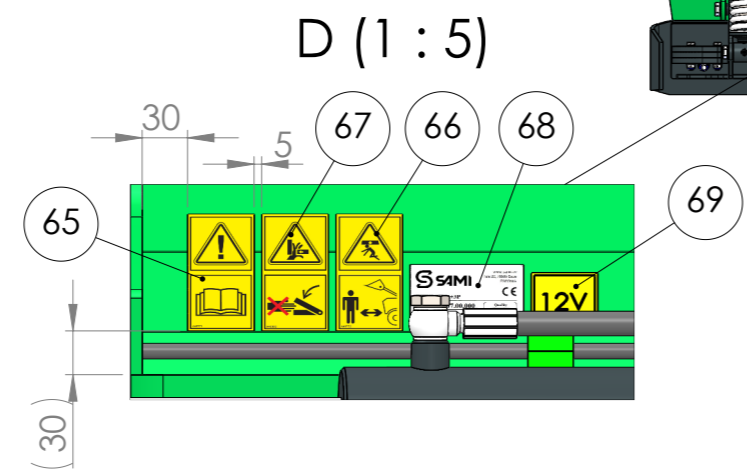
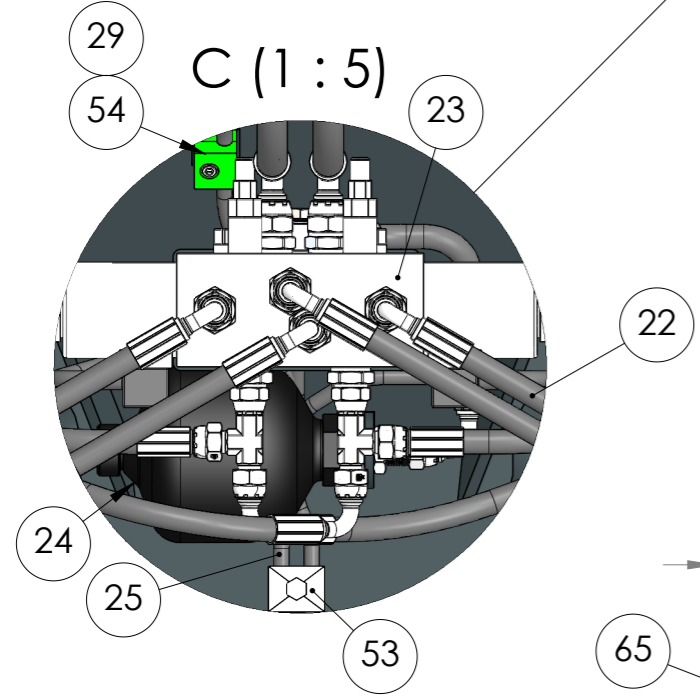



**U-plough UPA-4200**

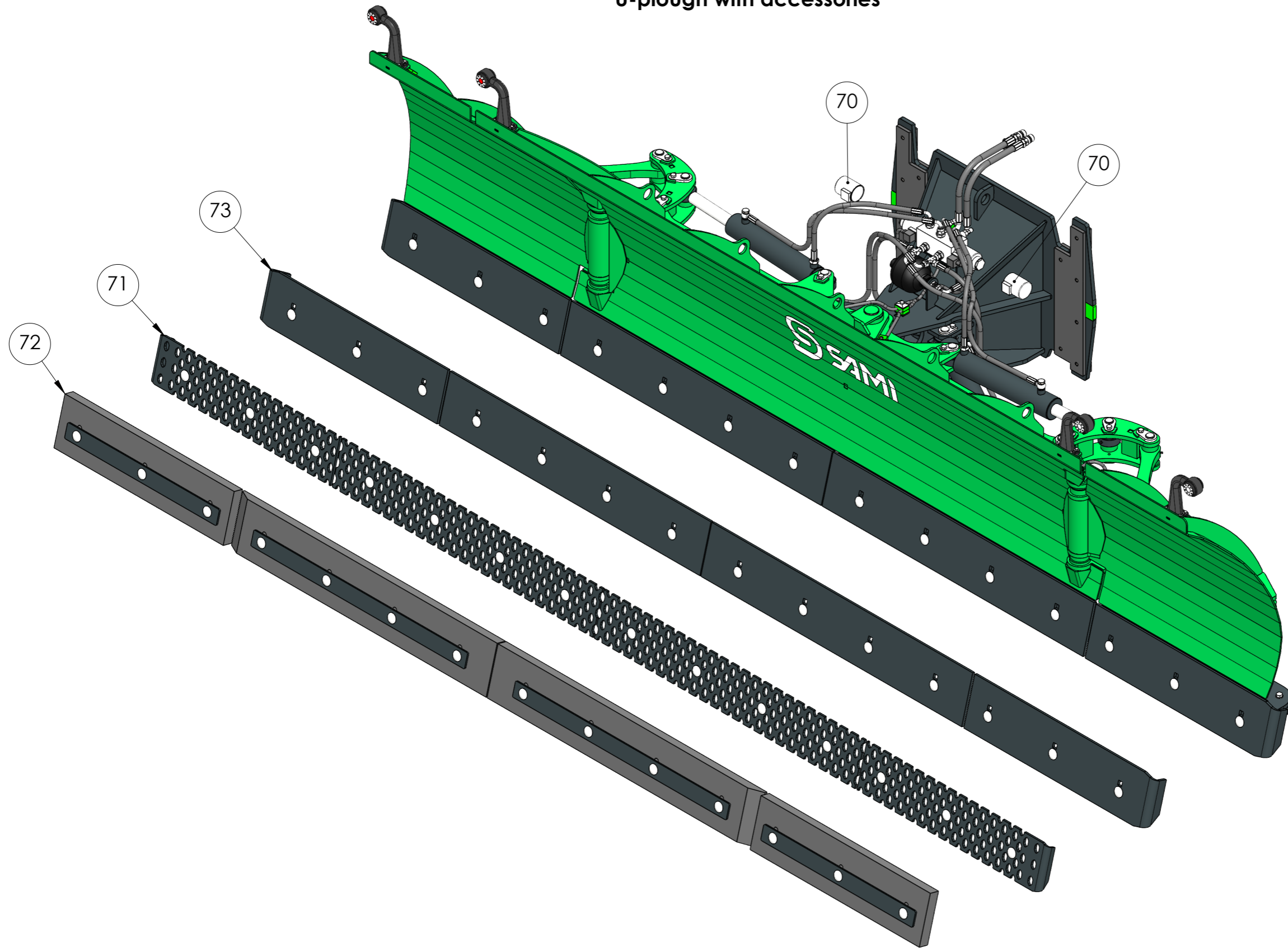
Revision	
Date	28.06.2023
478.000	



View A

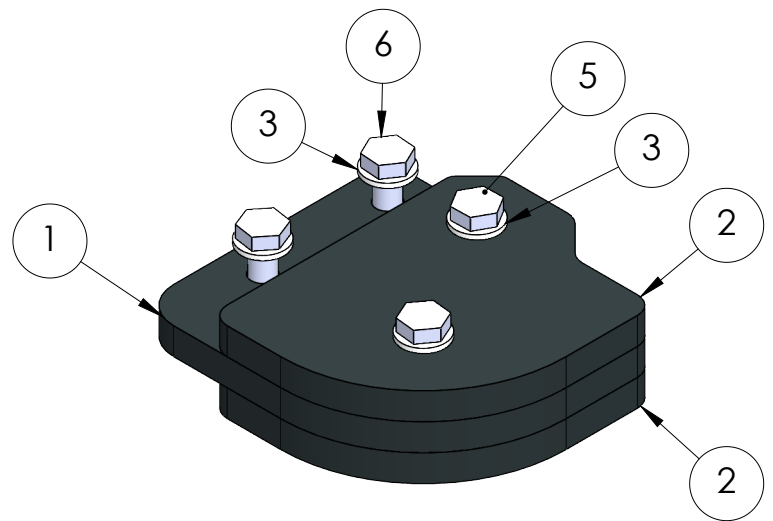
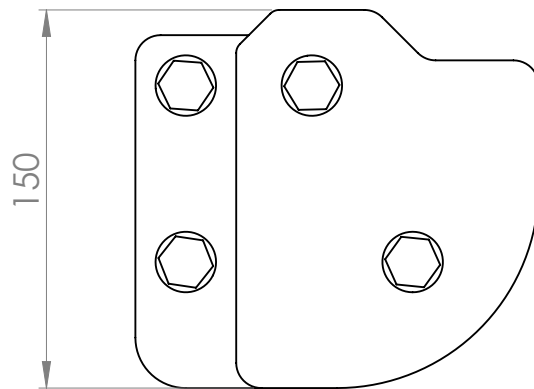
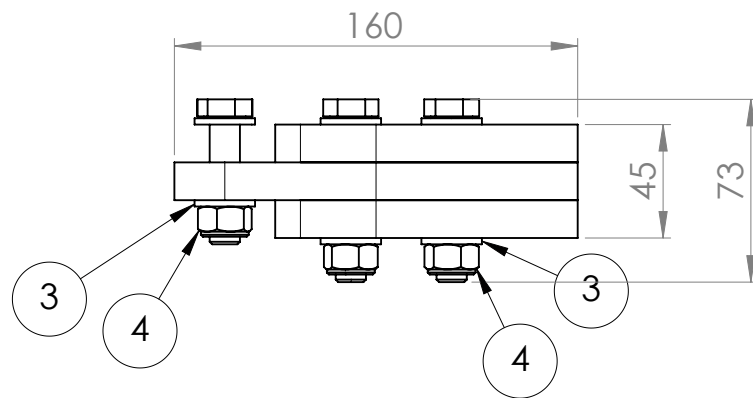


# U-plough with accessories



U-plough UPA-4200

Revision	
Date	28.06.2023
478.000	



6	201A2113	Hexagon head bolt	2	DIN 931 - M12x 50 - Zn
5	201A2159	Hexagon head bolt	2	DIN 931 - M12x 65 - Zn
4	204A1607	Nut	4	DIN 985 (Nylock) M12 - Zn
3	203A0207	Washer	8	DIN 125 - M12 - Zn
2	478.032	Bracket	2	
1	478.031	Bracket	1	
Pos.	Dwg. No.	Part Name	Quantity	Notes



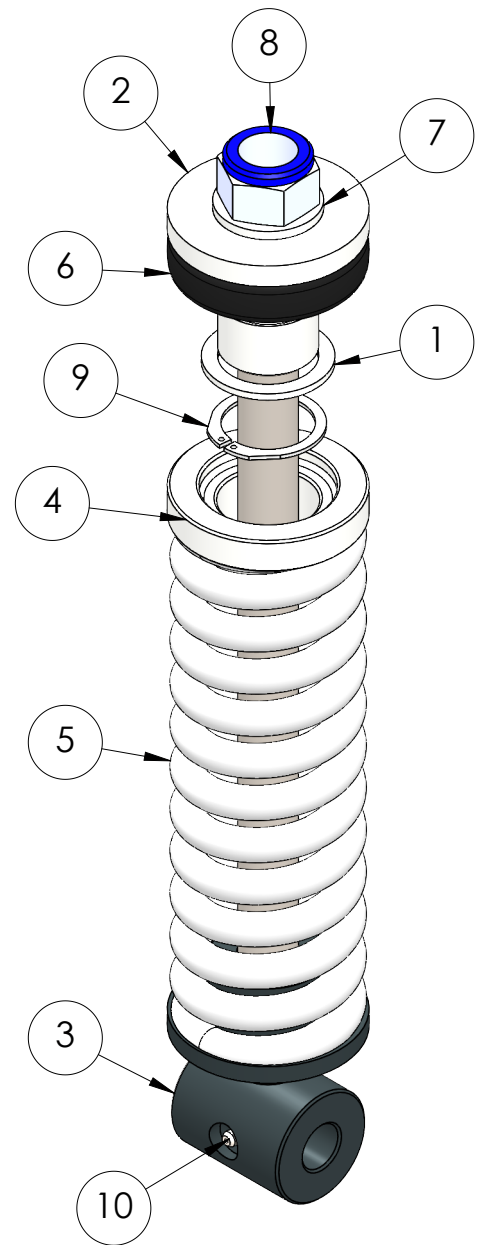
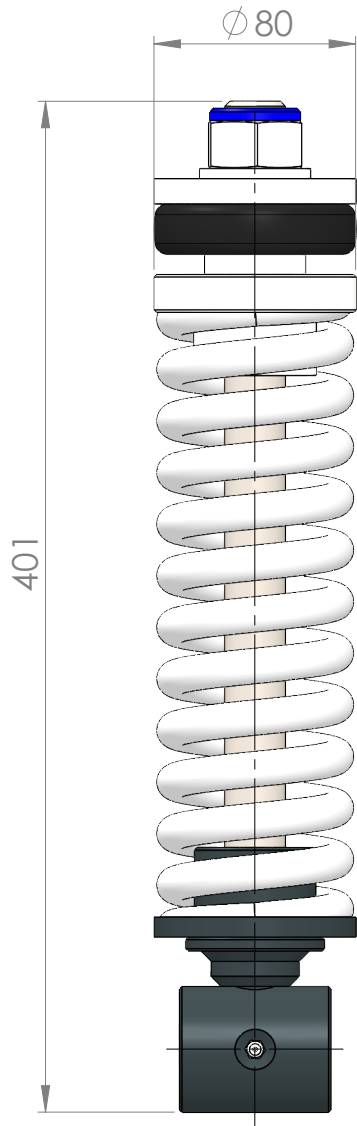
Curb protector

Revision

Date

28.06.2023

478.030



10	207A0101	Grease nipple	1	DIN 71412 - M6
9	202A0901	External circlip	1	DIN 471 - 40x1.75
8	204A1610	Nut	1	DIN 985 (Nylock) M24 - Zn
7	203A0213	Washer	1	DIN 125 - M24 - Zn
6	32940.22.00.01	Rubber buffer	1	
5	205A0183	Spring	1	
4	478.520	Bushing	1	
3	478.510	Spring axis	1	
2	462.520	Bushing	1	
1	462.509	Washer	1	
Pos.	Dwg. No.	Part Name	Quantity	Notes



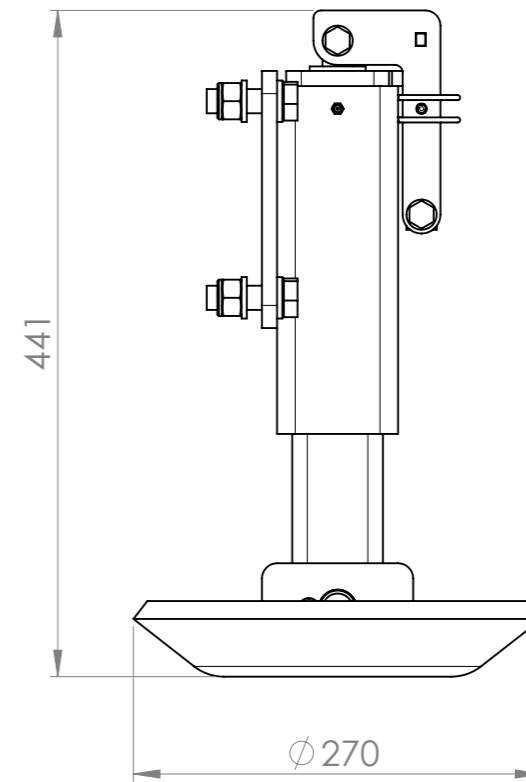
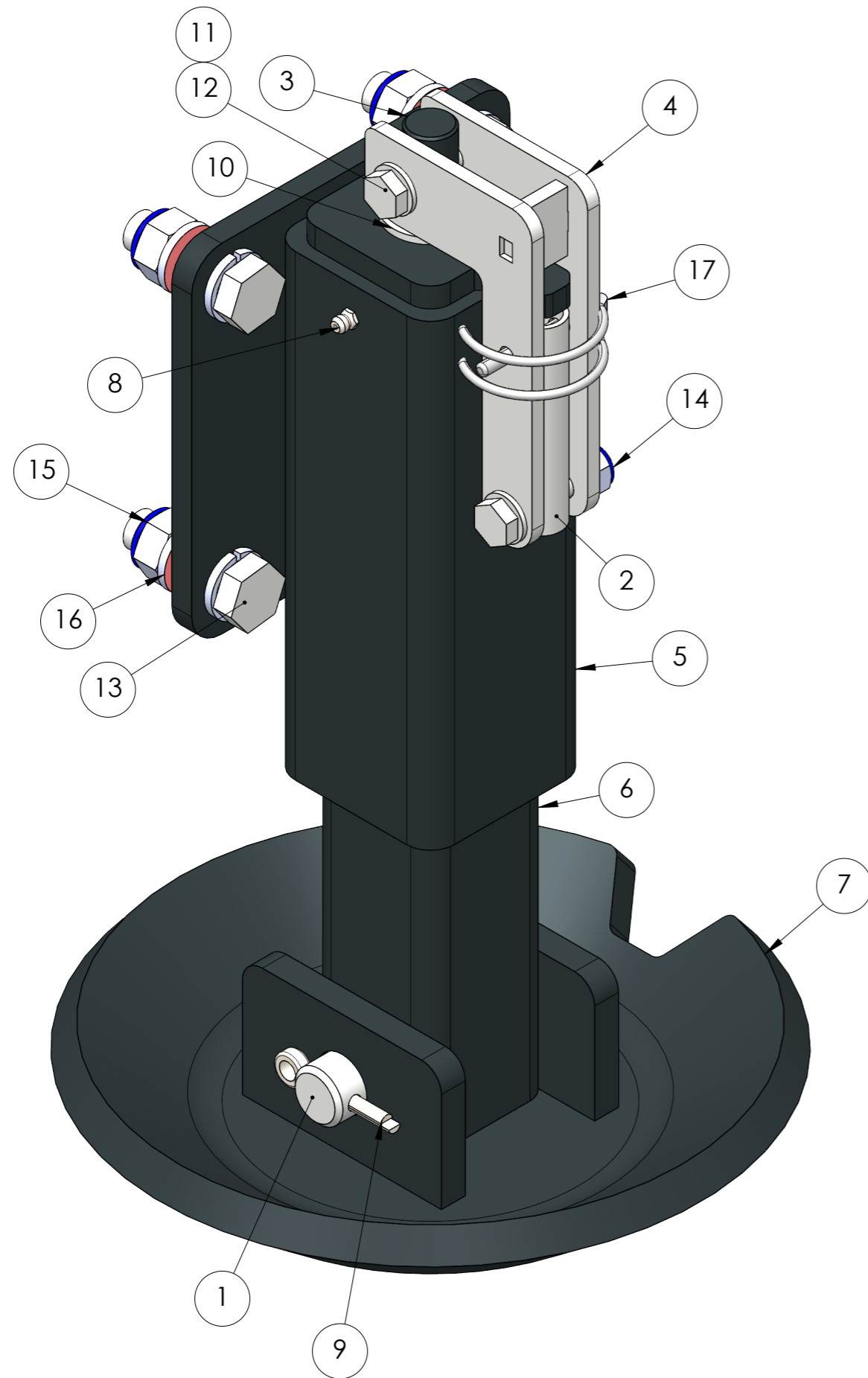
Spring set

Revision

Date

28.06.2023

478.500



17	202A0417	Lynch pin	1	Ø5,5x62 WN 472
16	203A0505	Spring washer	8	DIN 127 - M16 - Zn
15	204A1608	Nut	4	DIN 985 (Nylock) M16 - Zn
14	204A1606	Nut	2	DIN 985 (Nylock) M10 - Zn
13	201A22101	Hexagon head bolt	4	DIN 933 - M16x 50 - Zn
12	201A22050	Hexagon head bolt	2	DIN 933 - M10x 50 - Zn
11	203A0206	Washer	4	DIN 125 - M10 - Zn
10	203A0212	Washer	1	DIN 125 - M20 - Zn
9	202A0413	Cotter Pin	2	DIN 94 D6,3x40
8	207A0101	Grease nipple	1	DIN 71412 - M6
7	216A0402	Ski	1	
6	478.620	Leg	1	
5	478.610	Frame	1	
4	462.650	Handle	1	
3	462.640	Shaft	1	
2	462.601	Pipe	1	
1	28.2019	Pin	1	

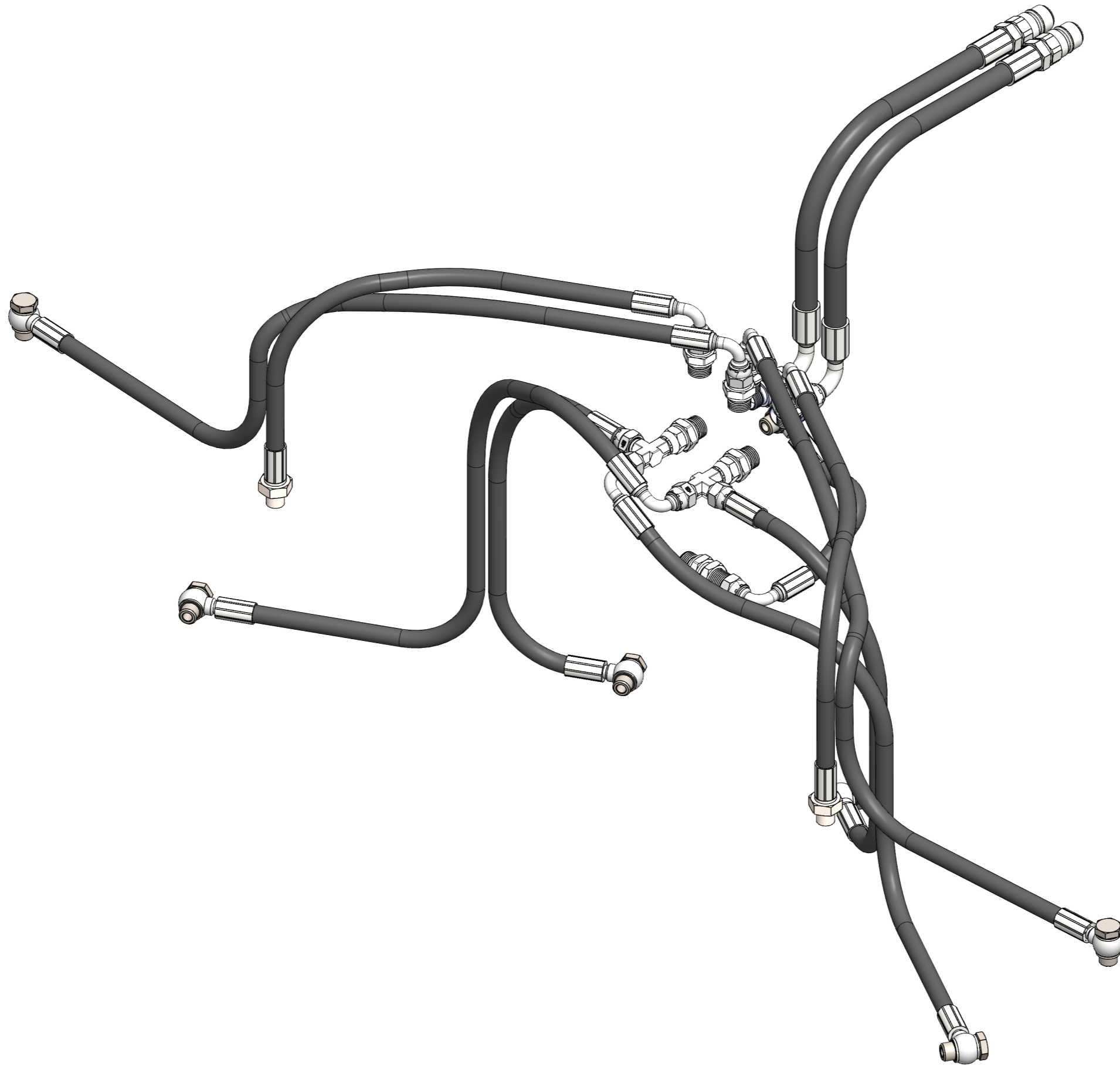
Pos.	Dwg. No.	Part Name	Quantity	Notes
------	----------	-----------	----------	-------



Support ski

Revision  
Date 28.06.2023

478.600



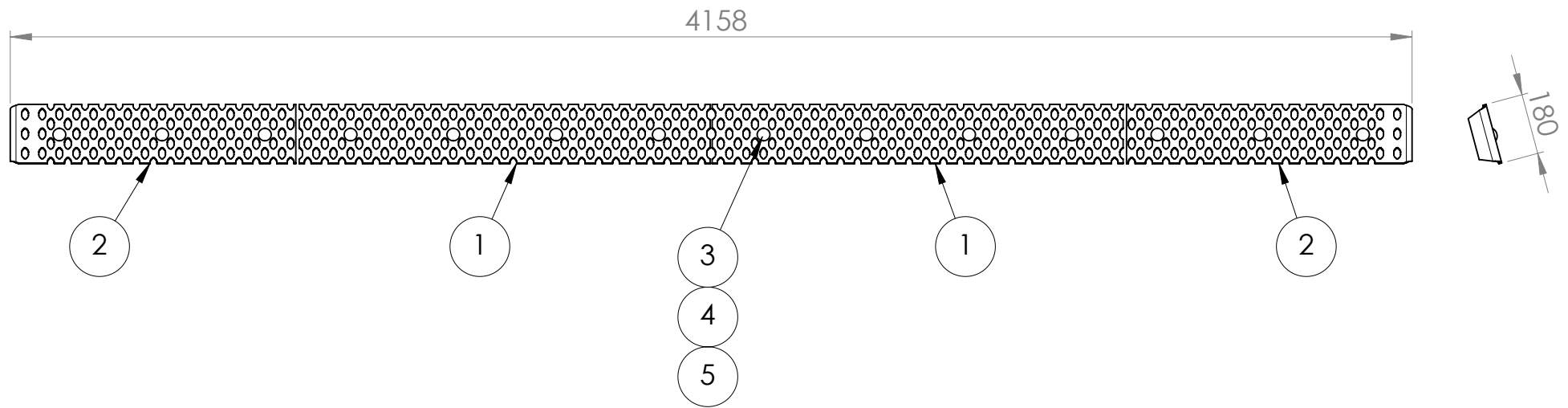
Hydraulic set

Revision

Date 29.06.2023

478.900



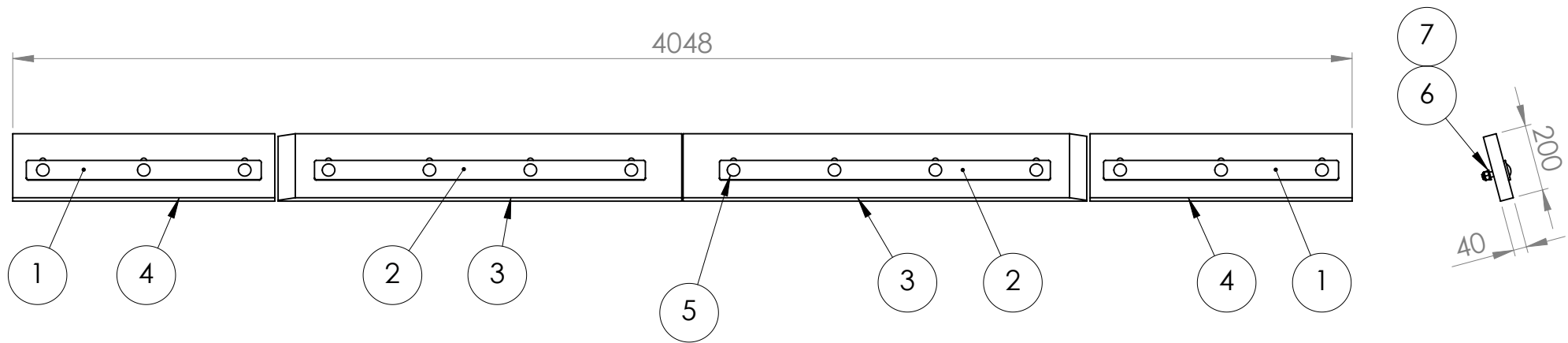


5	204A1608	Nut	14	DIN 985 (Nylock) M16 - Zn
4	203A0209	Washer	14	DIN 125 - M16 - Zn
3	201A0509	Carriage bolt	14	DIN 603 - M16x50 - Zn
2	216A0222	Olofsfors Sharq edge with bend end	2	
1	216A0204	Olofsfors Sharq edge	2	
Pos.	Dwg. No.	Part Name	Quantity	Notes



Net blades set

Revision	
Date	29.06.2023
478.1020	



7	204A1608	Nut	14	DIN 985 (Nylock) M16 - Zn
6	203A0209	Washer	14	DIN 125 - M16 - Zn
5	201A0508	Carriage bolt	14	DIN 603 - M16x80 - Zn
4	12.3.017	Rubber blade	2	792 mm
3	12.3.016	Rubber blade	2	
2	12.3.015.1	Bracket	2	
1	12.3.009.1	Bracket	2	
Pos.	Dwg. No.	Part Name	Quantity	Notes



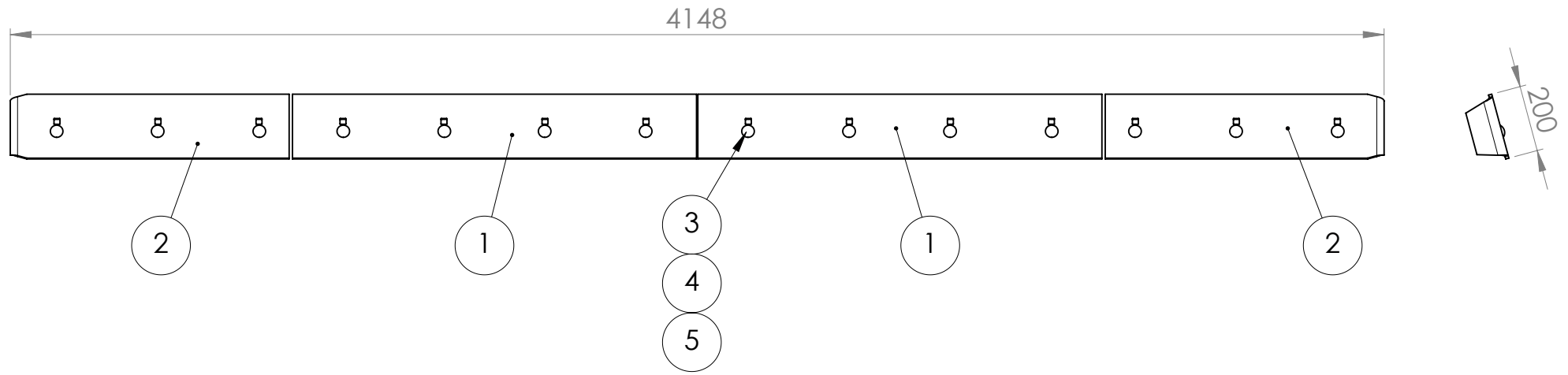
Rubber blade set

Revision

Date

29.06.2023

478.1030



5	204A1608	Nut	14	DIN 985 (Nylock) M16 - Zn
4	203A0209	Washer	14	DIN 125 - M16 - Zn
3	201A0509	Carriage bolt	14	DIN 603 - M16x50 - Zn
2	216A0220	Olofsfors blade with bend end	2	
1	216A0215	Olofsfors blade	2	
Pos.	Dwg. No.	Part Name	Quantity	Notes



Solid blades set

Revision	
Date	29.06.2023
478.1070	