

63	457.1070	Set of Olotstors Bruxite bolt-on edges	1	SPECIAL ORDER
62	457.1020	Set of Olofsfors P300 Sharq Edges	1	SPECIAL ORDER
61	474.850	Set of LED lights	1	SPECIAL ORDER
60	457.700	Bucket extension set	1	SPECIAL ORDER
59	457.620	Wing extension set (right)	1	SPECIAL ORDER
58	457.600	Wing extension set (left)	1	SPECIAL ORDER
57	S1004	Sticker	2	Sami logo white
56	S101	Sticker	1	Serial No.
55	A46771	Warning label	1	Read before using
54	A46772	Warning label	1	
53	A46803	Warning label	1	
52	201A0525	Carriage bolt	2	DIN 603 - M8x30 - Zn
51	201A0544	Carriage bolt	4	DIN 603 - M10x60 - Zn
50	201A1959	Phillips pan head machine screw	2	DIN 7985 - M6 x 35 - Zn
49	201A2083	Flat head countersunk socket	6	DIN 7991 - M18x60 - Zn
48	201A22024	Hexagon head bolt	2	DIN 933 - M 8x 16 - Zn
47	201A22026	Hexagon head bolt	4	DIN 933 - M 8x 25 - Zn
46	201A22028	Hexagon head bolt	4	DIN 933 - M 8x 35 - Zn
45	201A22044	Hexagon head bolt	16	DIN 933 - M10x 20 - Zn
44	201A22045	Hexagon head bolt	4	DIN 933 - M10x 25 - Zn
43	201A22104	Hexagon head bolt	3	DIN 933 - M16x 30 - Zn
42	201A22149	Hexagon head bolt	3	DIN 933 - M20x110 - Zn
41	203A0108	Washer NordLock	6	DIN 25201 - M20 - Zn
40	203A0204	Washer	2	DIN 125 - M6 - Zn
39	203A0205	Washer	16	DIN 125 - M8 - Zn
38	203A0210	Washer	6	DIN 125 - M20 - Zn
37	203A0206	Washer	26	DIN 125 - M10 - Zn
36	203A0209	Washer	9	DIN 125 - M16 - Zn
35	203A0212	Washer	4	DIN 125 - M20 - Zn
Pos.	Dwg. No.	Part Name	Quantity	Notes

34	204A0906	Nut	3	DIN 934 - M16 - Zn
33	204A1604	Nut	2	DIN 985 (Nylock) M6 - Zn
32	204A1605	Nut	10	DIN 985 (Nylock) M8 - Zn
31	204A1606	Nut	6	DIN 985 (Nylock) M10 - Zn
30	204A1608	Nut	9	DIN 985 (Nylock) M16 - Zn
29	204A1609	Nut	7	DIN 985 (Nylock) M20 - Zn
28	204A1617	Nut	6	DIN 985 (Nylock) M18 - Zn
27	207A0101	Grease nipple	13	DIN 71412 - M6
26	205A0171	Spring 7x50x280	4	Lesjöfors (3612)
25	216A0201	Olofsfors Sharq edge	1	180x9x692 (122-461210)
24	216A0202	Olofsfors Sharq edge	2	180x9x792 (122-461220)
23	216A0206	Olofsfors sharq edge with bent end	2	180x9x740 (122-486410)
22	216A0301	Olofsfors bolt	9	M16 x 45
21	299A0104	Rubber bumper	2	
20	299A0273	Reflector (red)	2	Ø60
19	299A0274	Reflector (white)	2	Ø60
18	474.003	Limiter plate	2	
17	474.002	Distance plate	2	
16	457.500	Wing cover (right)	1	
15	457.400	Wing cover (left)	1	
14	457.300	Right wing	1	
13	457.200	Left wing	1	
12	457.100	Bucket	1	
11	457.006	Bushing	4	
10	457.005	Slider pin	4	
9	457.004	Slider plate	2	
8	457.003	Cover plate	2	
7	457.002	Cover plate	4	
6	457.001	Slider plate	4	
5	408.855	Rubber holder for reflector	2	
4	407.004	Bushing	4	
3	354.003	Hydraulic cyliner 63/35-435	2	
2	28.007	Pin	2	
1	28.005	Pin	4	
Pos.	Dwg. No.	Part Name	Quantity	Notes

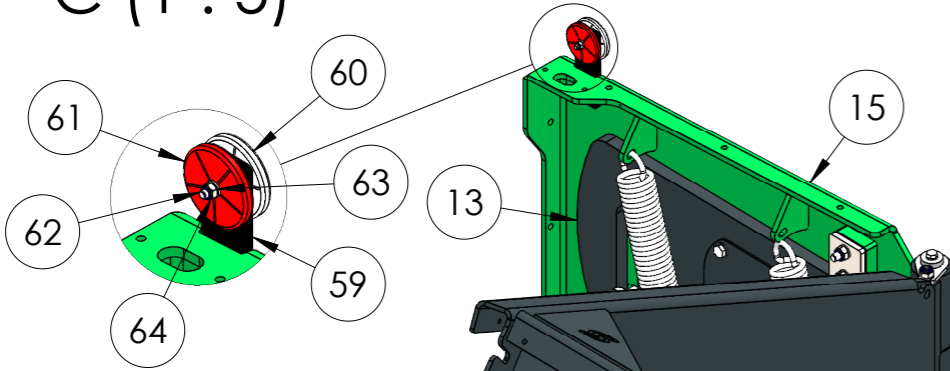


Winged Snow Bucket 2300HD

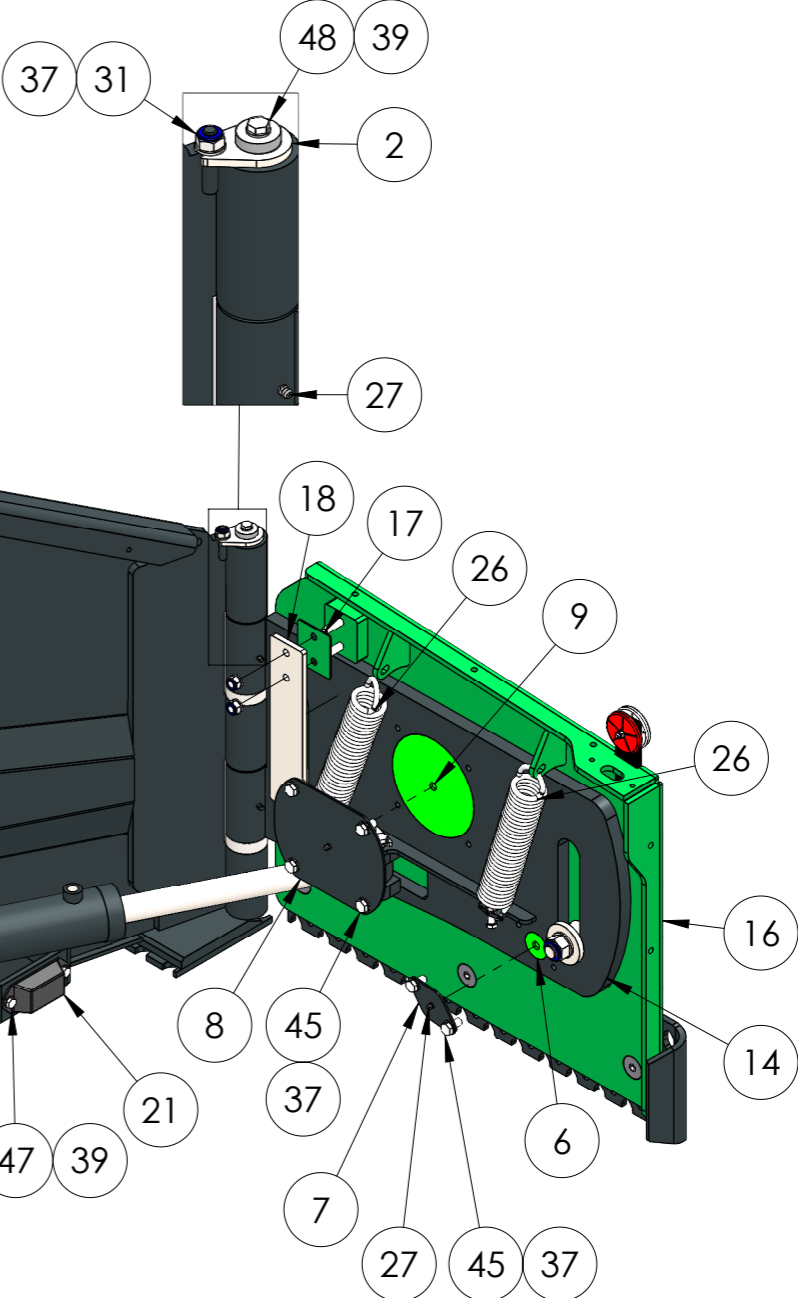
Revision	
Date	12.11.2021
457.000	

WINGED SNOW BUCKET WITH STANDARD EQUIPMENT

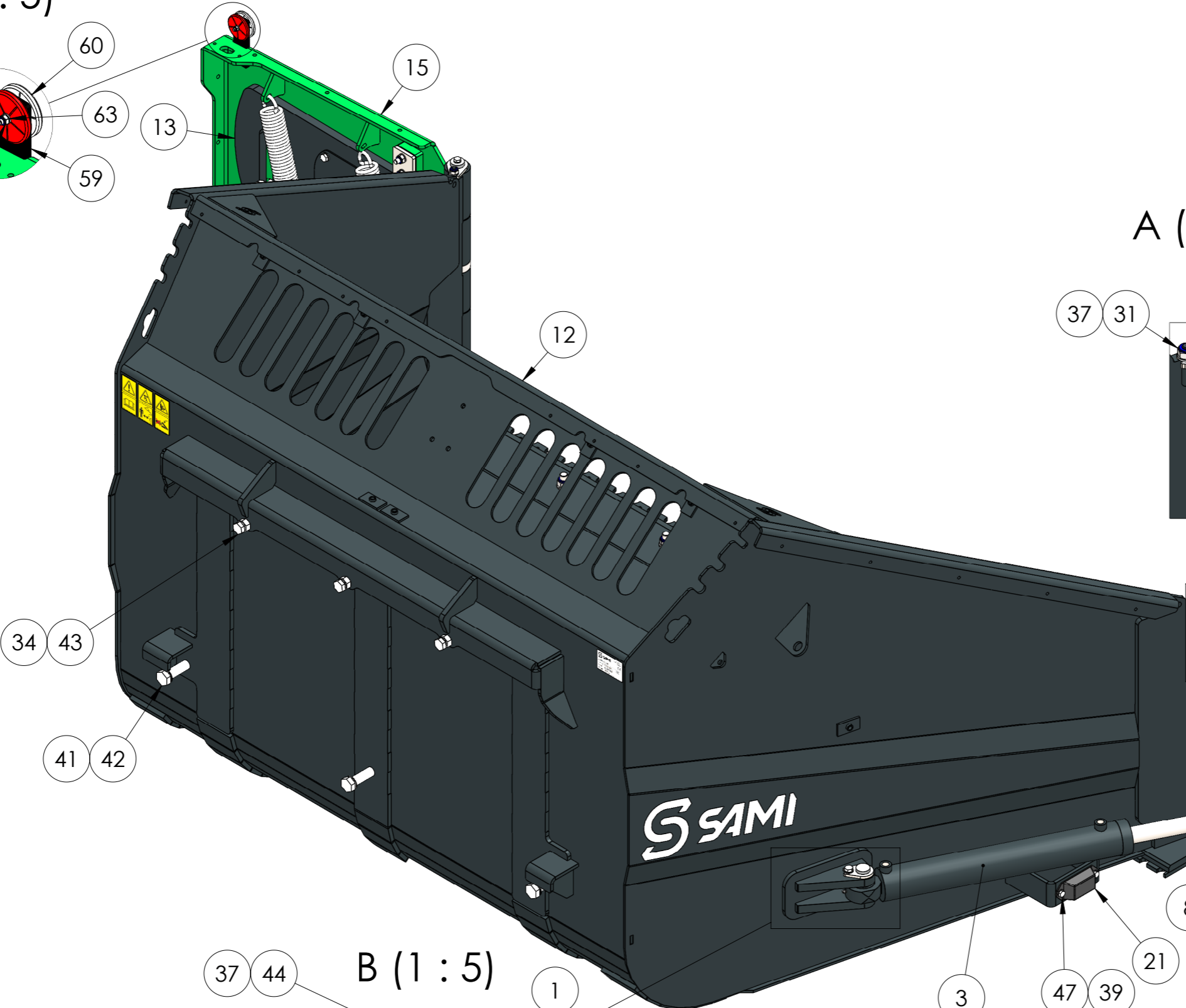
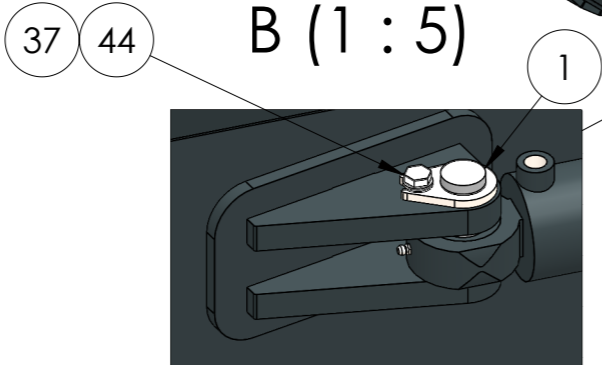
C (1 : 5)



A (1 : 5)



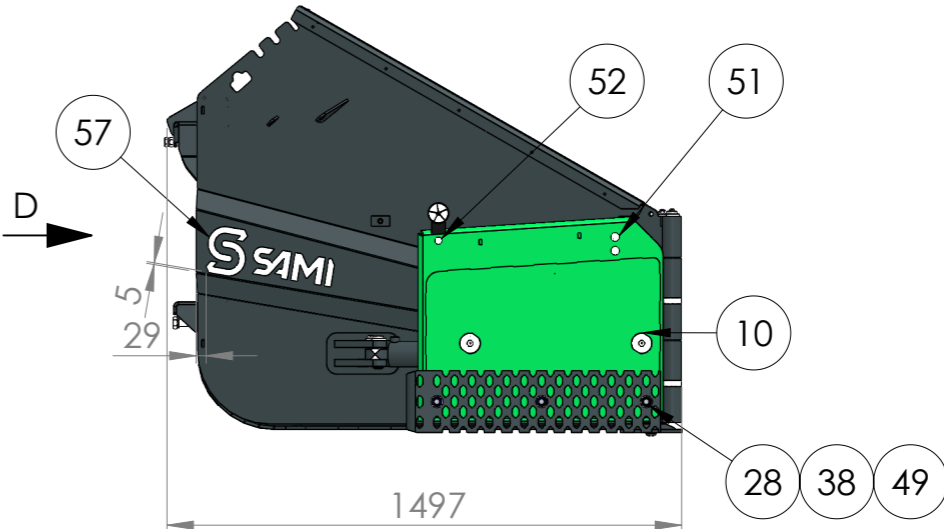
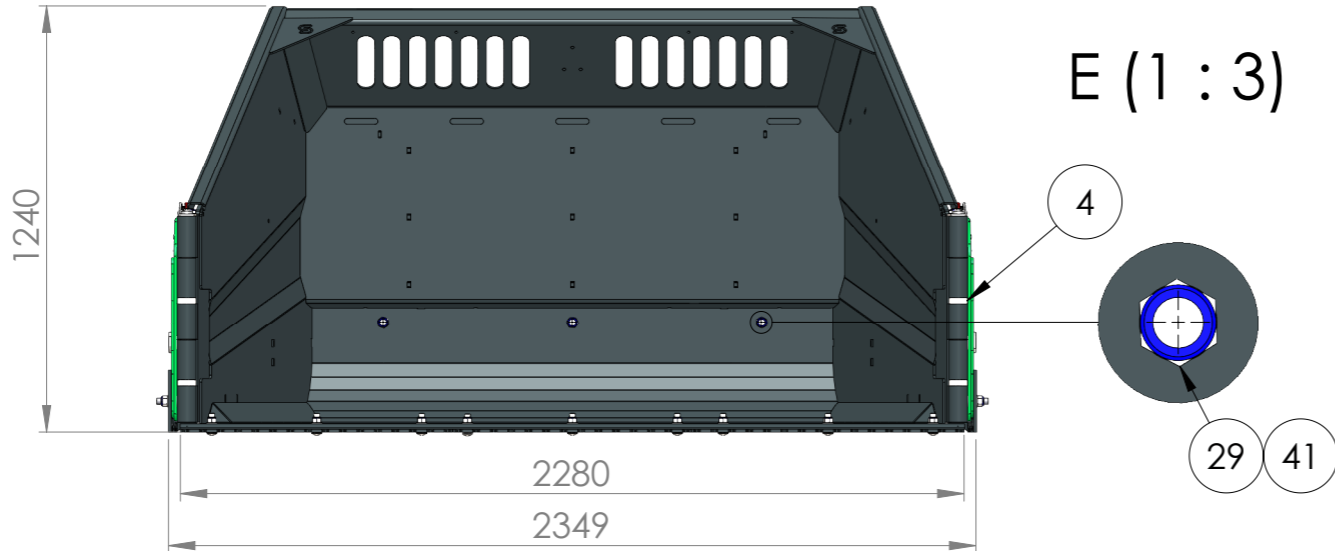
B (1 : 5)



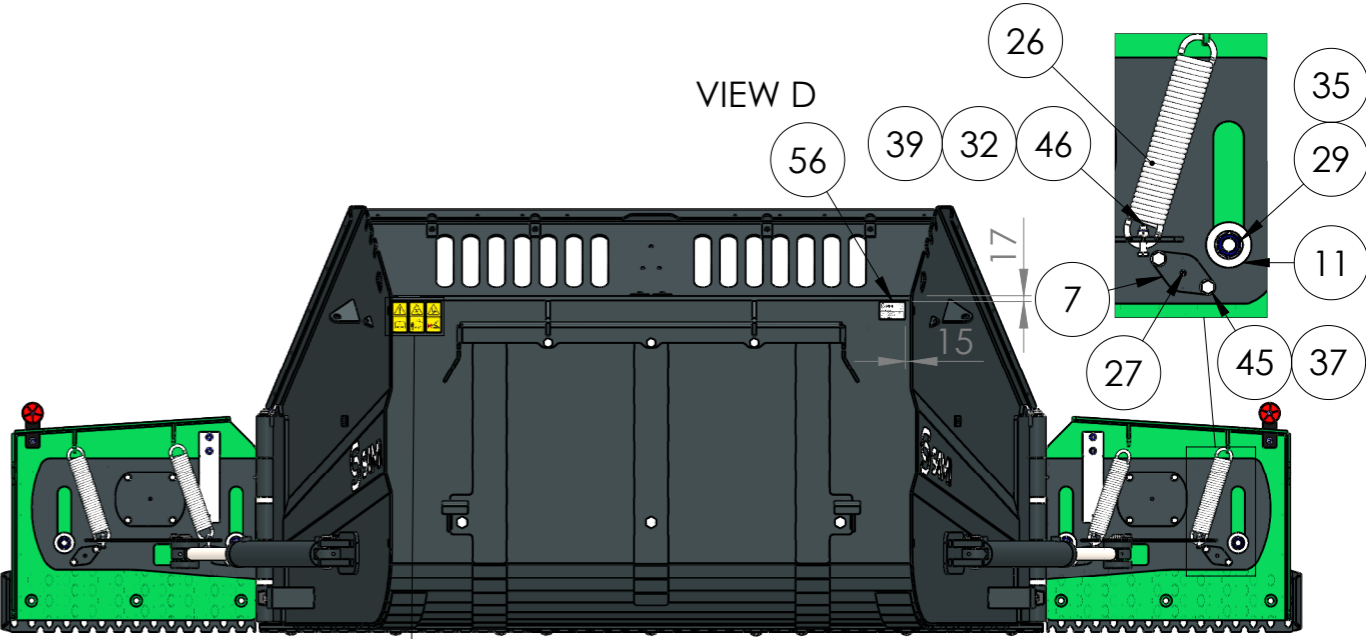
Winged Snow Bucket 2300HD

Revision	
Date	12.11.2021
457.000	

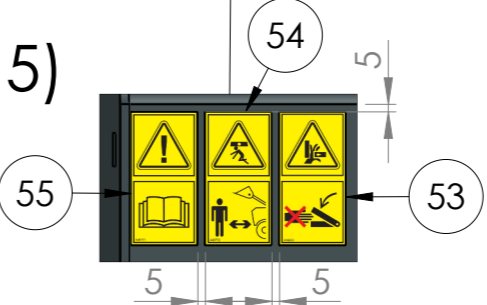
WINGED SNOW BUCKET WITH STANDARD EQUIPMENT



G (1 : 10)



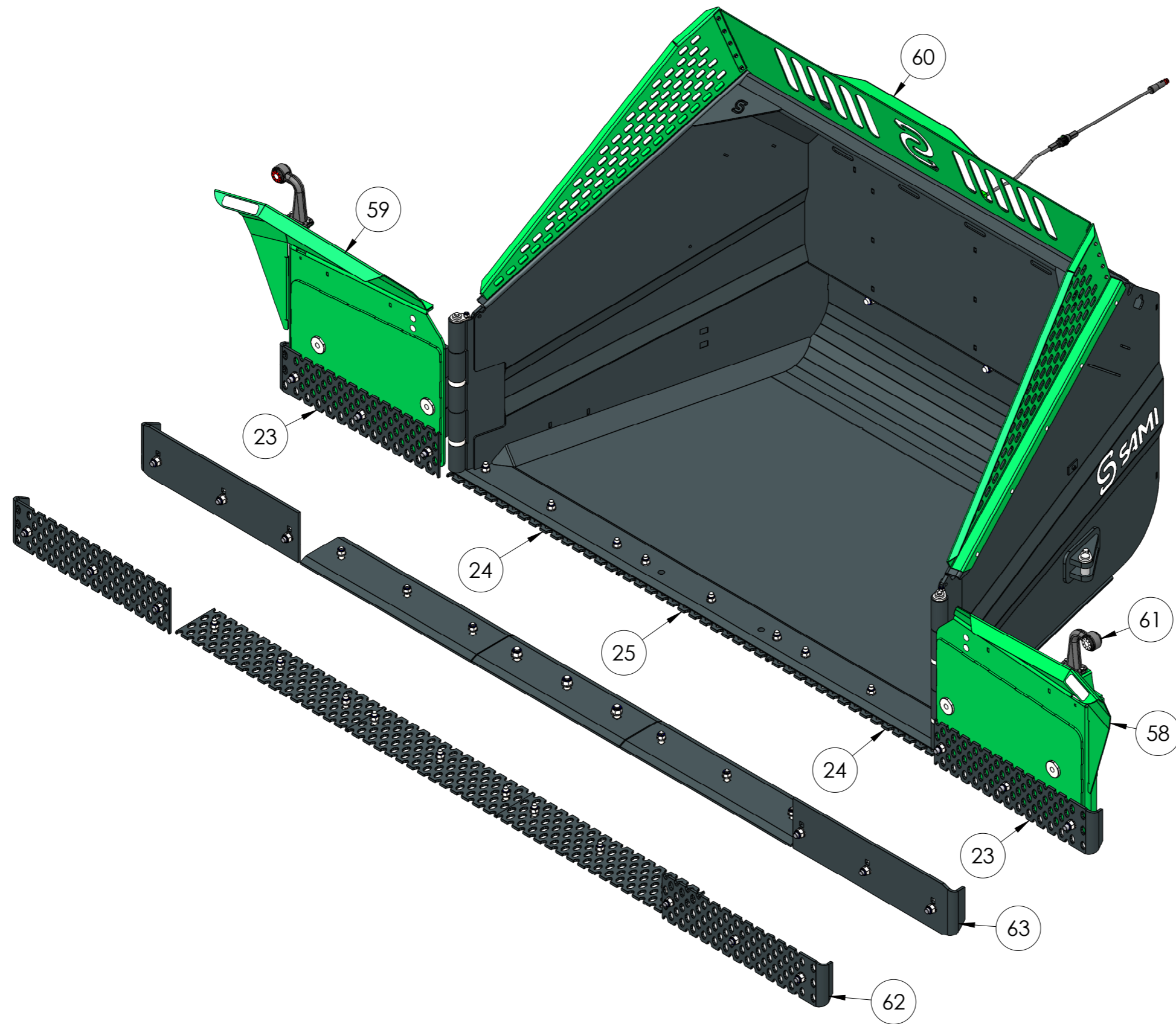
F (1 : 5)



Winged Snow Bucket 2300HD

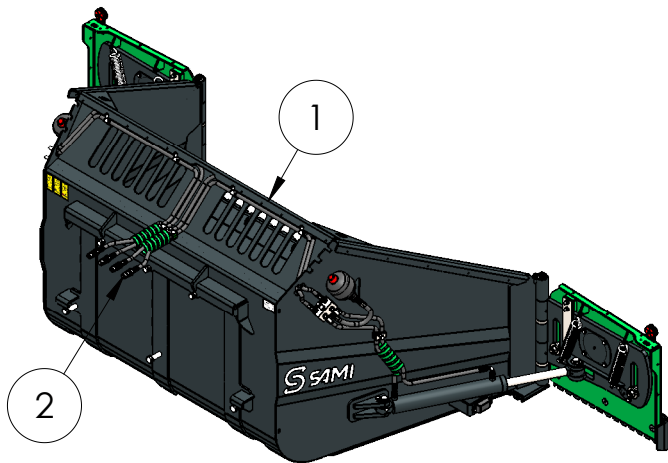
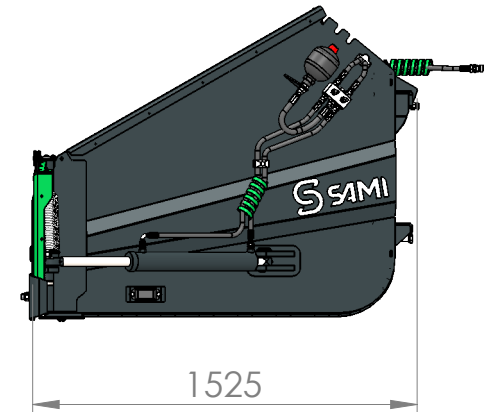
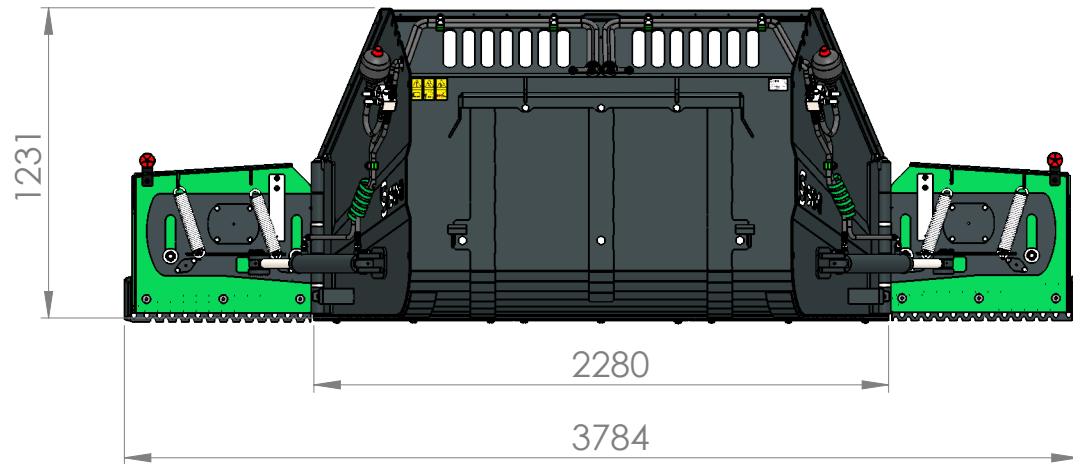
Revision	
Date	12.11.2021
457.000	

WINGED SNOW BUCKET WITH ADDITIONAL EQUIPMENT



Winged Snow Bucket 2300HD

Revision	
Date	12.11.2021
457.000	

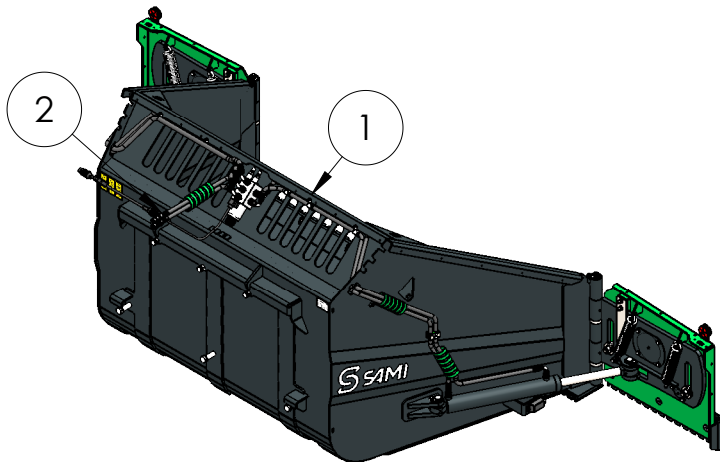
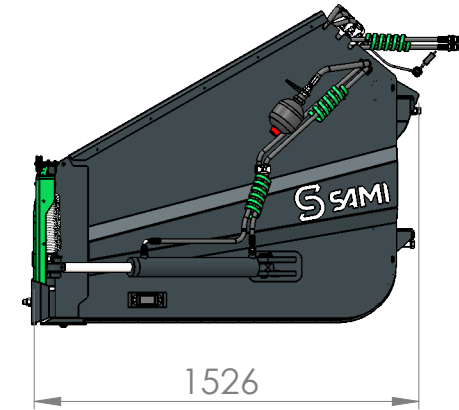
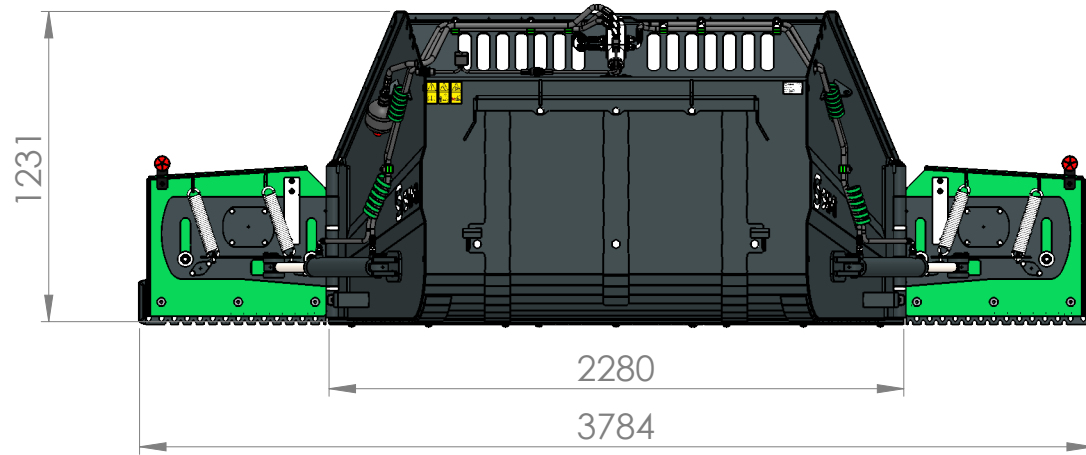


2	457.910	Hydraulic set HS1	1	
1	457.000	Winged Snow Bucket 2300HD	1	
Pos.	Dwg. No.	Part Name	Quantity	Notes



Winged Snow Bucket with hydraulic set HS1

Revision	
Date	10.08.2021
457.000.HS1	

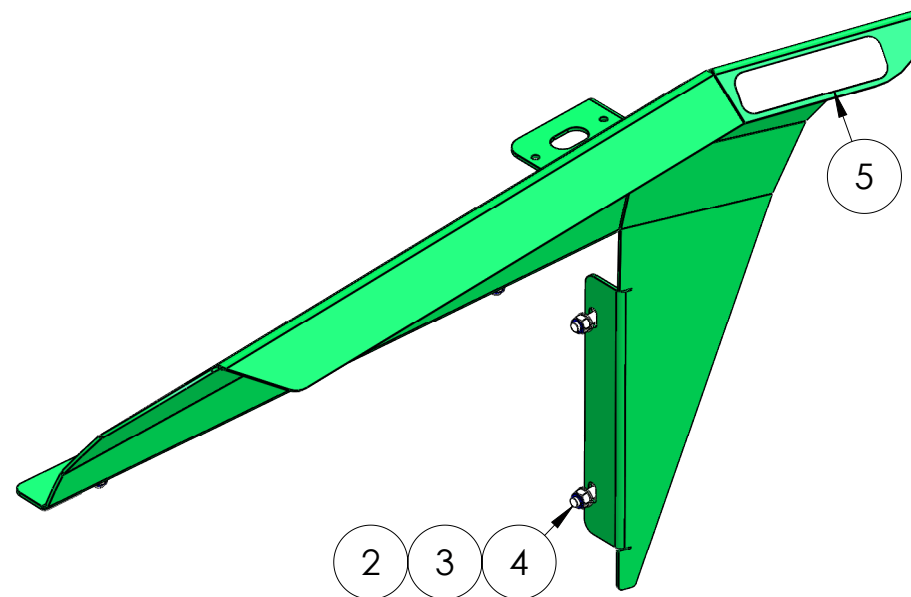
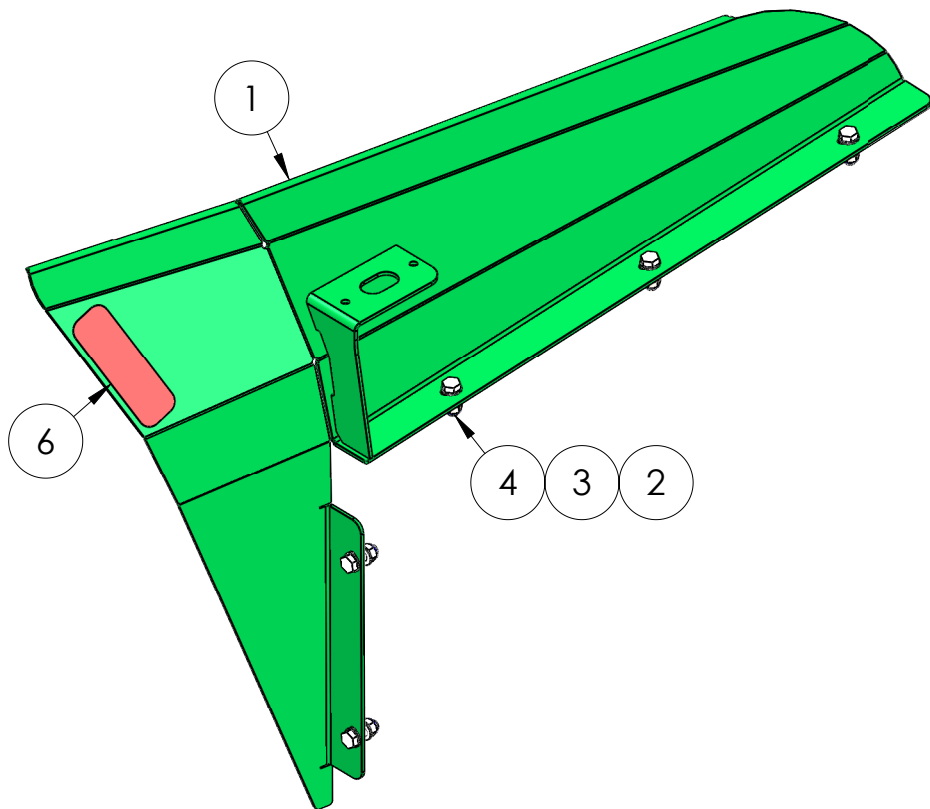


3		Piippo valve magnet 24V	1	SPECIAL ORDER
2	457.920	Hydraulic set HS2	1	
1	457.000	Winged Snow Bucket 2300HD	1	
Pos.	Dwg. No.	Part Name	Quantity	Notes



Winged Snow Bucket with hydraulic set HS2

Revision	
Date	17.11.2021
457.000.HS2	



6	S4004	Reflector sticker (red)	1	
5	S4003	Reflector sticker (white)	1	
4	201A22026	Hexagon head bolt	5	DIN 933 - M 8x 25 - Zn
3	204A1605	Nut	5	DIN 985 (Nylock) M8 - Zn
2	203A0205	Washer	10	DIN 125 - M8 - Zn
1	457.610	Wing (left)	1	
Pos.	Dwg. No.	Part Name	Quantity	Notes



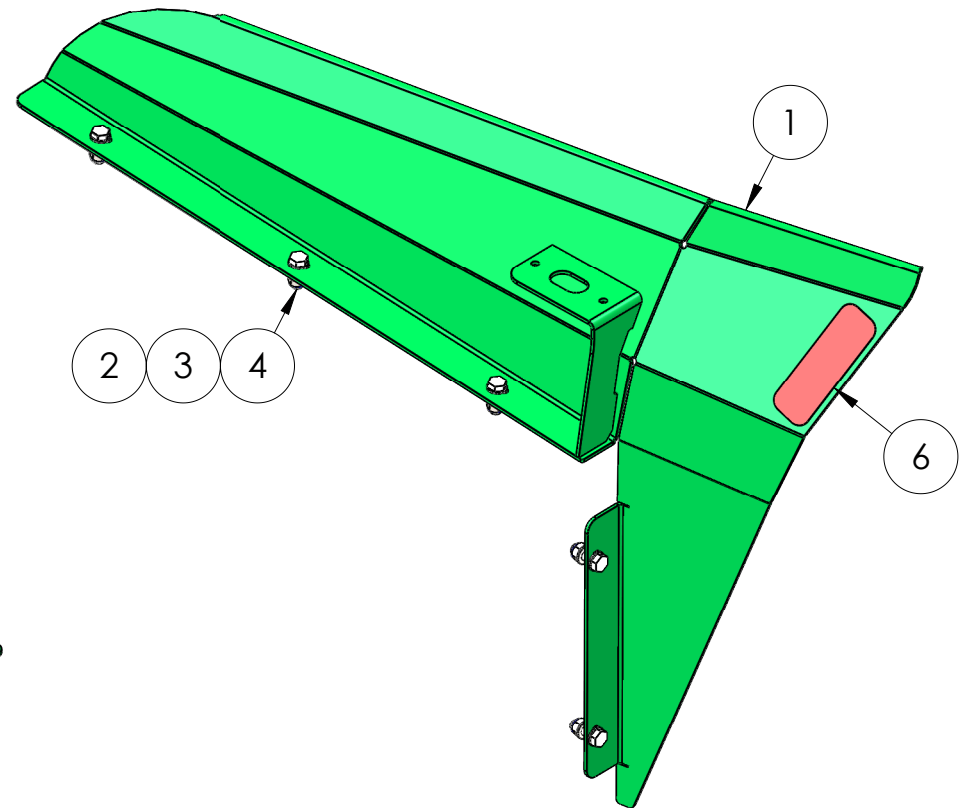
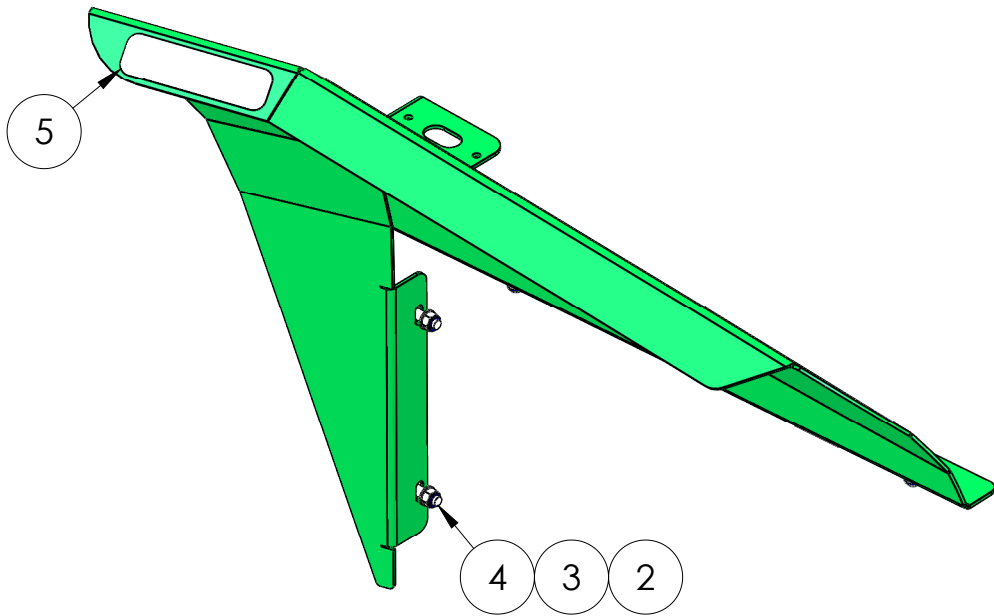
Wing extension set (left)

Revision

Date

10.08.2021

457.600

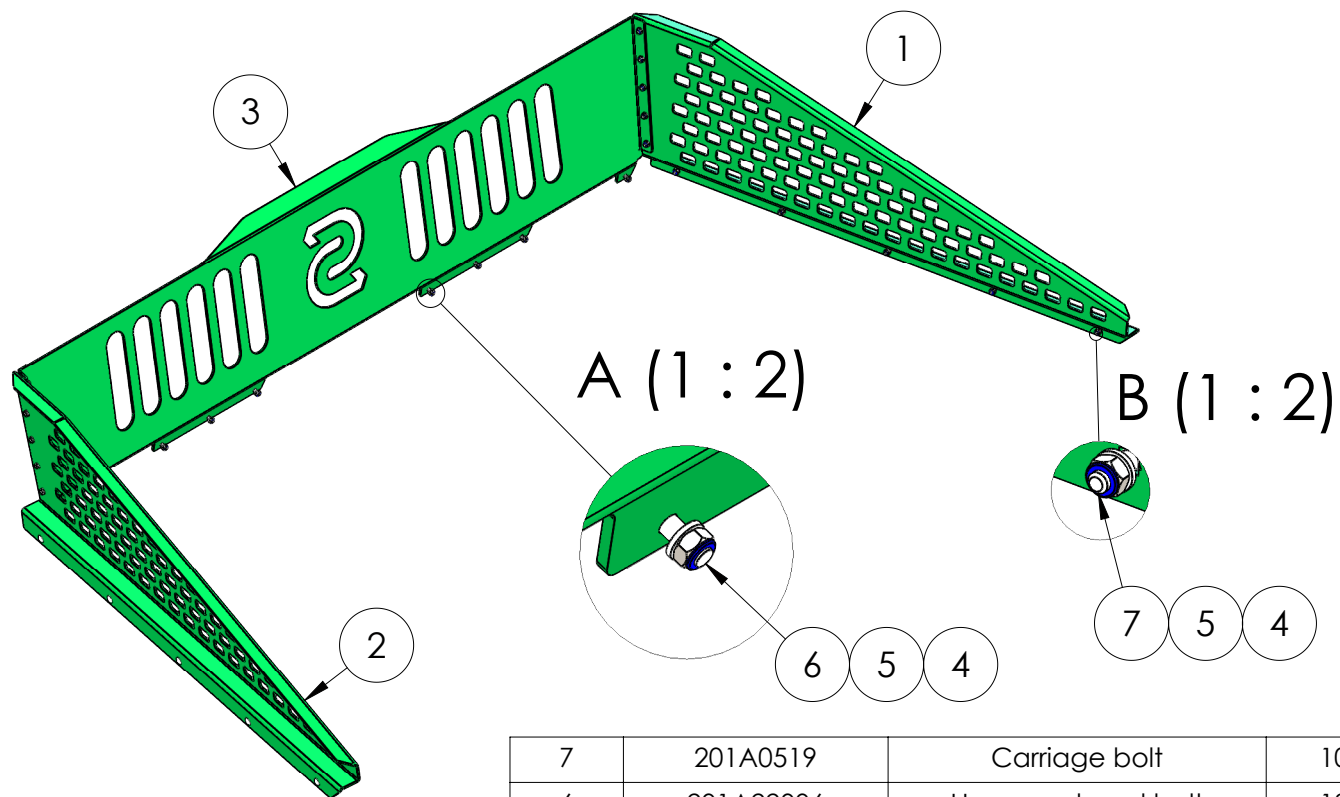


6	S4004	Reflector sticker (red)	1	
5	S4003	Reflector sticker (white)	1	
4	201A22026	Hexagon head bolt	5	DIN 933 - M 8x 25 - Zn
3	204A1605	Nut	5	DIN 985 (Nylock) M8 - Zn
2	203A0205	Washer	10	DIN 125 - M8 - Zn
1	457.630	Wing (right)	1	
Pos.	Dwg. No.	Part Name	Quantity	Notes



Wing extension set (right)

Revision	
Date	10.08.2021
457.620	



7	201A0519	Carriage bolt	10	DIN 603 - M6x20 - Zn
6	201A22006	Hexagon head bolt	18	DIN 933 - M 6x20 - Zn
5	204A1604	Nut	28	DIN 985 (Nylock) M6 - Zn
4	203A0204	Washer	46	DIN 125 - M6 - Zn
3	457.702	Back panel	1	
2	474.703	Right panel	1	
1	474.701	Left panel	1	
Pos.	Dwg. No.	Part Name	Quantity	Notes



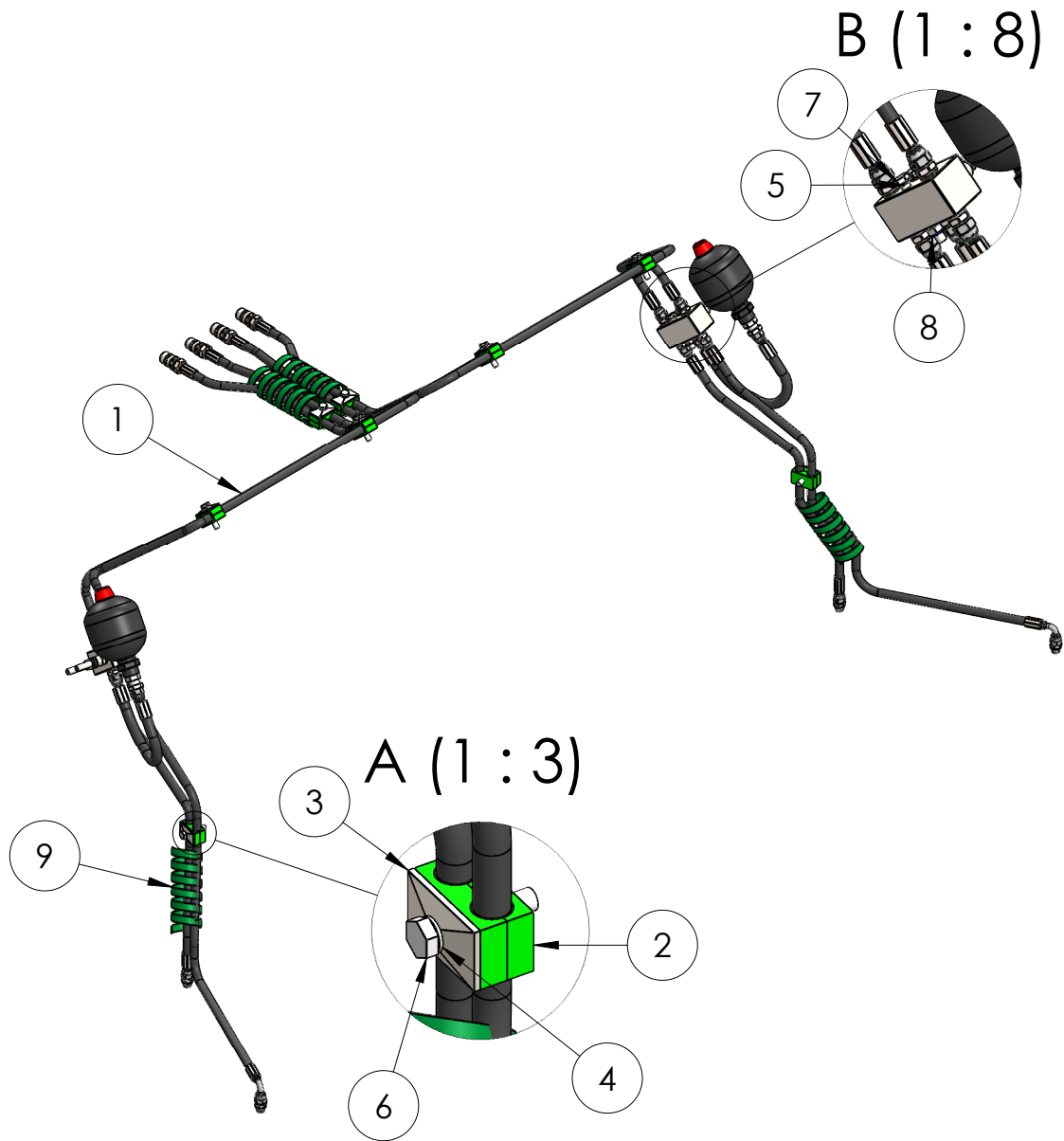
Bucket extension set

Revision

Date

10.08.2021

457.700



9		Plastic spiral guard (green)	4	Ø32
8	204A1606	Nut	2	DIN 985 (Nylock) M10 - Zn
7	201A22056	Hexagon head bolt	2	DIN 933 - M10x 80 - Zn
6	201A22050	Hexagon head bolt	8	DIN 933 - M10x 50 - Zn
5	203A0206	Washer	4	DIN 125 - M10 - Zn
4	203A0205	Washer	8	DIN 125 - M8 - Zn
3	208E0402	Hose clamp cover plate	8	ADPS2
2	208E0401	Hose clamp	16	AD2 18-18 S
1	457.900	Hydraulic set HS1	1	
Pos.	Dwg. No.	Part Name	Quantity	Notes



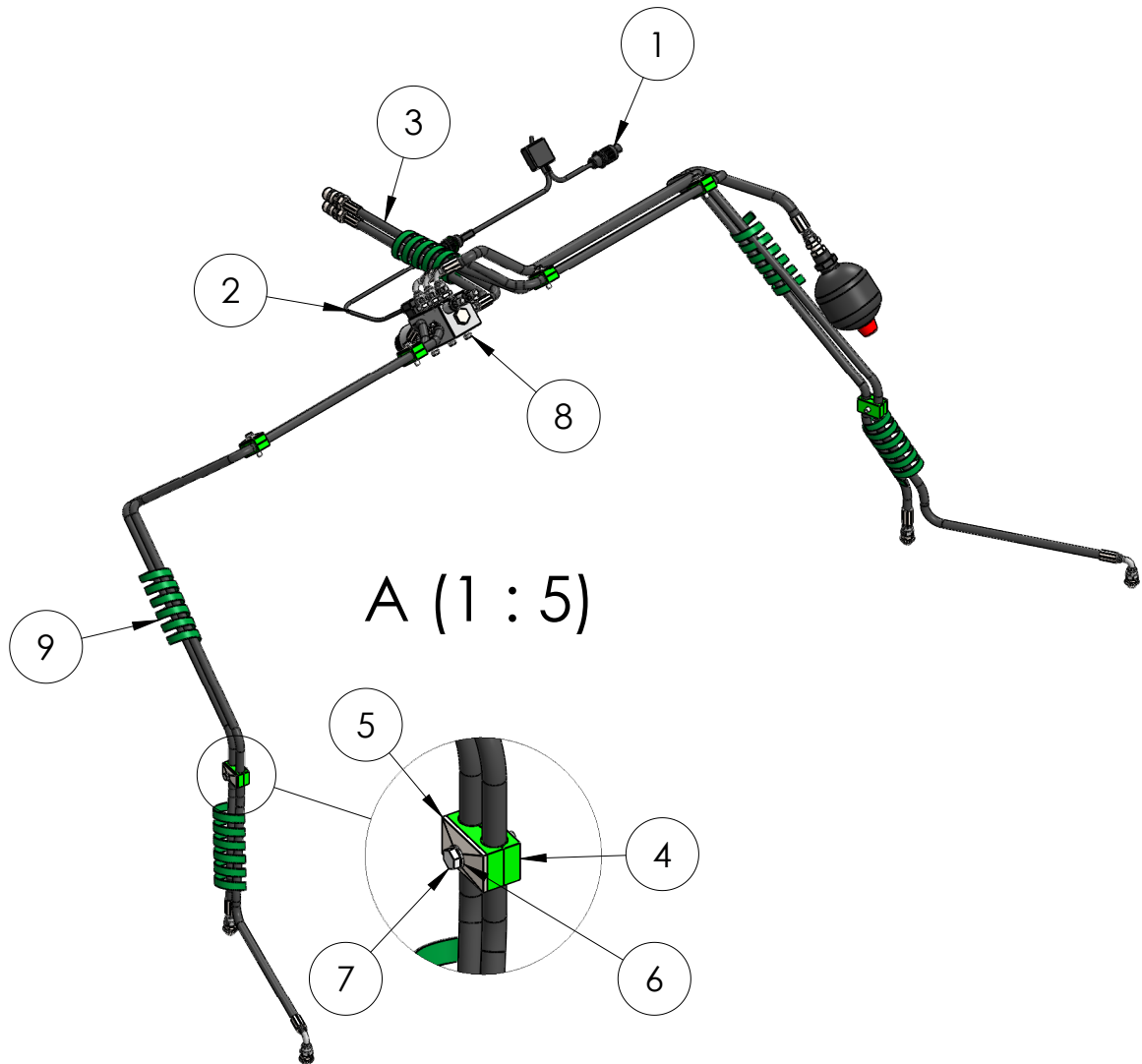
Hydraulic set HS1

Revision

Date

09.11.2021

457.910



9		Plastic spiral guard (green)	5	Ø32
8	201A22025	Hexagon head bolt	3	DIN 933 - M 8x 20 - Zn
7	201A22030	Hexagon head bolt	6	DIN 933 - M 8x 45 - Zn
6	203A0205	Washer	9	DIN 125 - M8 - Zn
5	208E0402	Hose clamp cover plate	6	ADPS2
4	208E0401	Hose clamp	12	AD2 18-18 S
3	457.950	Hydraulic set	1	
2	10.002	Electric cable	1	
1	10.001	Electric cable with switch	1	
Pos.	Dwg. No.	Part Name	Quantity	Notes



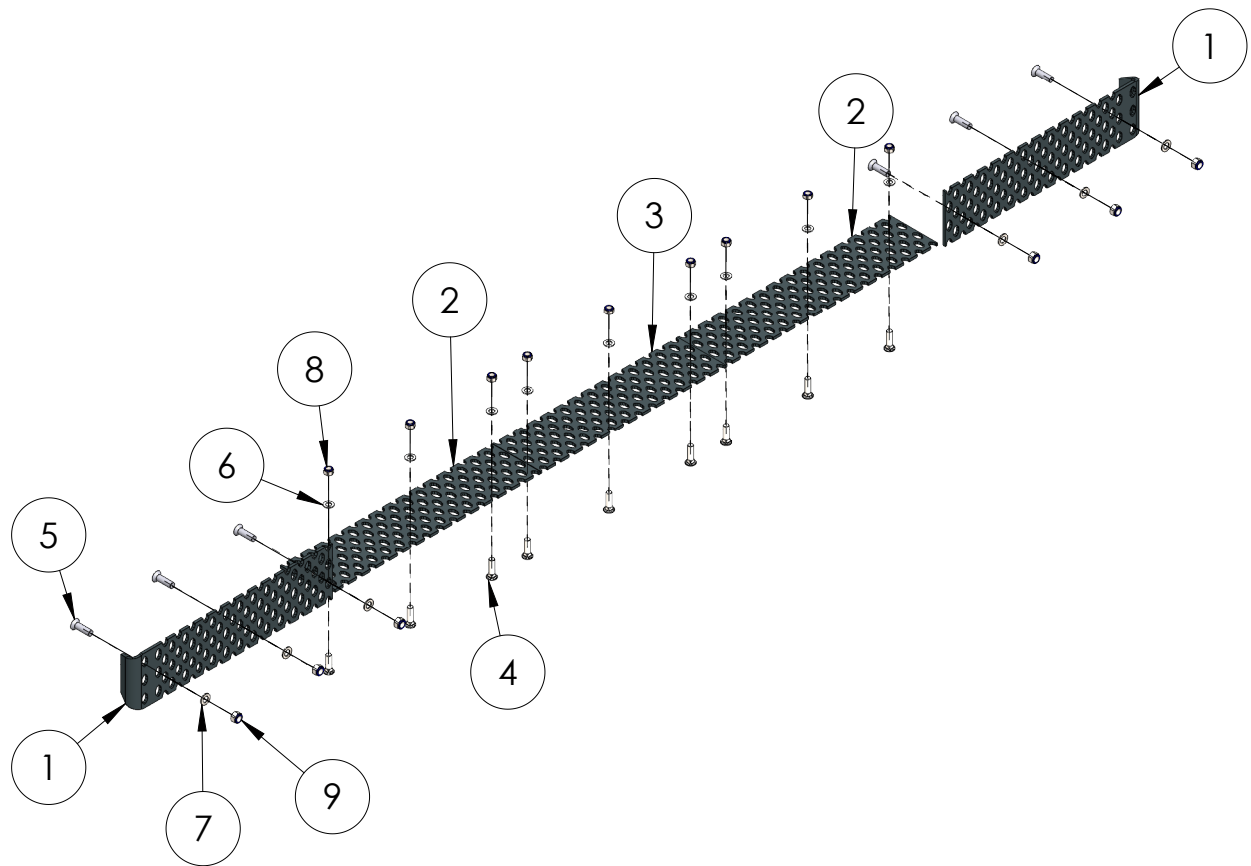
Hydraulic set HS2

Revision

Date

09.11.2021

457.920



9	204A1617	Nut	6	DIN 985 (Nylock) M18 - Zn
8	204A1608	Nut	9	DIN 985 (Nylock) M16 - Zn
7	203A0210	Washer	6	DIN 125 - M20 - Zn
6	203A0209	Washer	9	DIN 125 - M16 - Zn
5	201A2083	Flat head countersunk socket	6	DIN 7991 - M18x60 - Zn
4	216A0301	Olofsfors bolt M16 (rounded)	9	M16x55 (959-590285)
3	216A0201	Olofsfors Sharq edge	1	180x9x692 (122-461210)
2	216A0202	Olofsfors Sharq edge	2	180x9x792 (122-461220)
1	216A0206	Olofsfors sharq edge with bent end	2	180x9x740 (122-486410)
Pos.	Dwg. No.	Part Name	Quantity	Notes



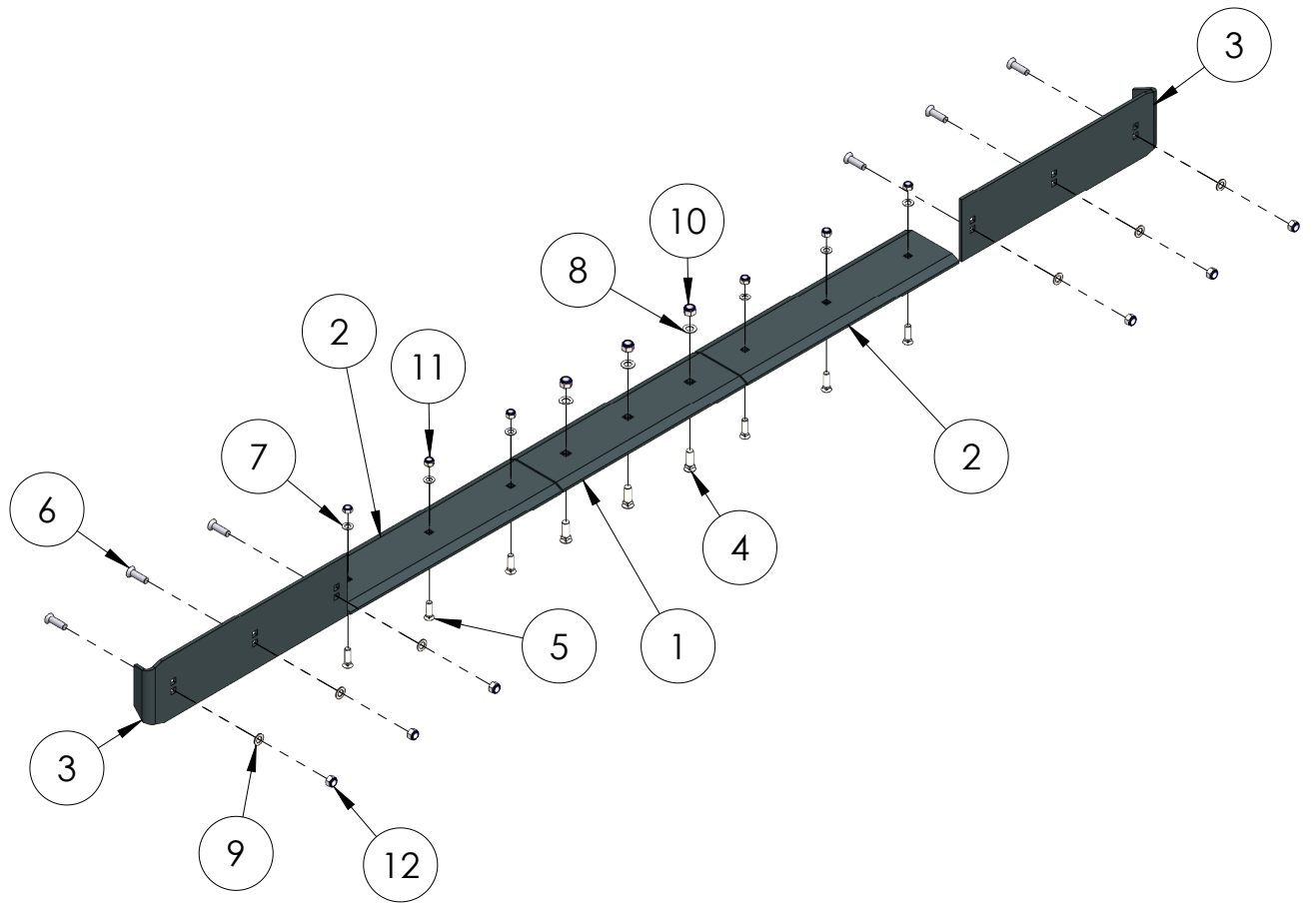
Set of Olofsfors P300 Sharq Edges

Revision

Date

10.08.2021

457.1020



12	204A1617	Nut	6	DIN 985 (Nylock) M18 - Zn
11	204A1608	Nut	6	DIN 985 (Nylock) M16 - Zn
10	204A1609	Nut	3	DIN 985 (Nylock) M20 - Zn
9	203A0210	Washer	6	DIN 125 - M20 - Zn
8	203A0212	Washer	3	DIN 125 - M20 - Zn
7	203A0209	Washer	6	DIN 125 - M16 - Zn
6	201A2083	Flat head countersunk socket	6	DIN 7991 - M18x60 - Zn
5	216A0303	Olofsfors bolt M16	6	M16x55 (959-590430)
4	216A0302	Olofsfors bolt M20	3	M20x60 (959-590726)
3	216A0226	Olofsfors Bruxite Blade with bent end	2	200x10x740 (122-461384)
2	216A0210	Olofsfors Bruxite Blade	2	792x200x20 (171-494940)
1	216A0209	Olofsfors Bruxite Blade	1	686x200x20 (171-462380)
Pos.	Dwg. No.	Part Name	Quantity	Notes



Set of Olofsfors Bruxite bolt-on edges

Revision

Date

10.08.2021

457.1070