

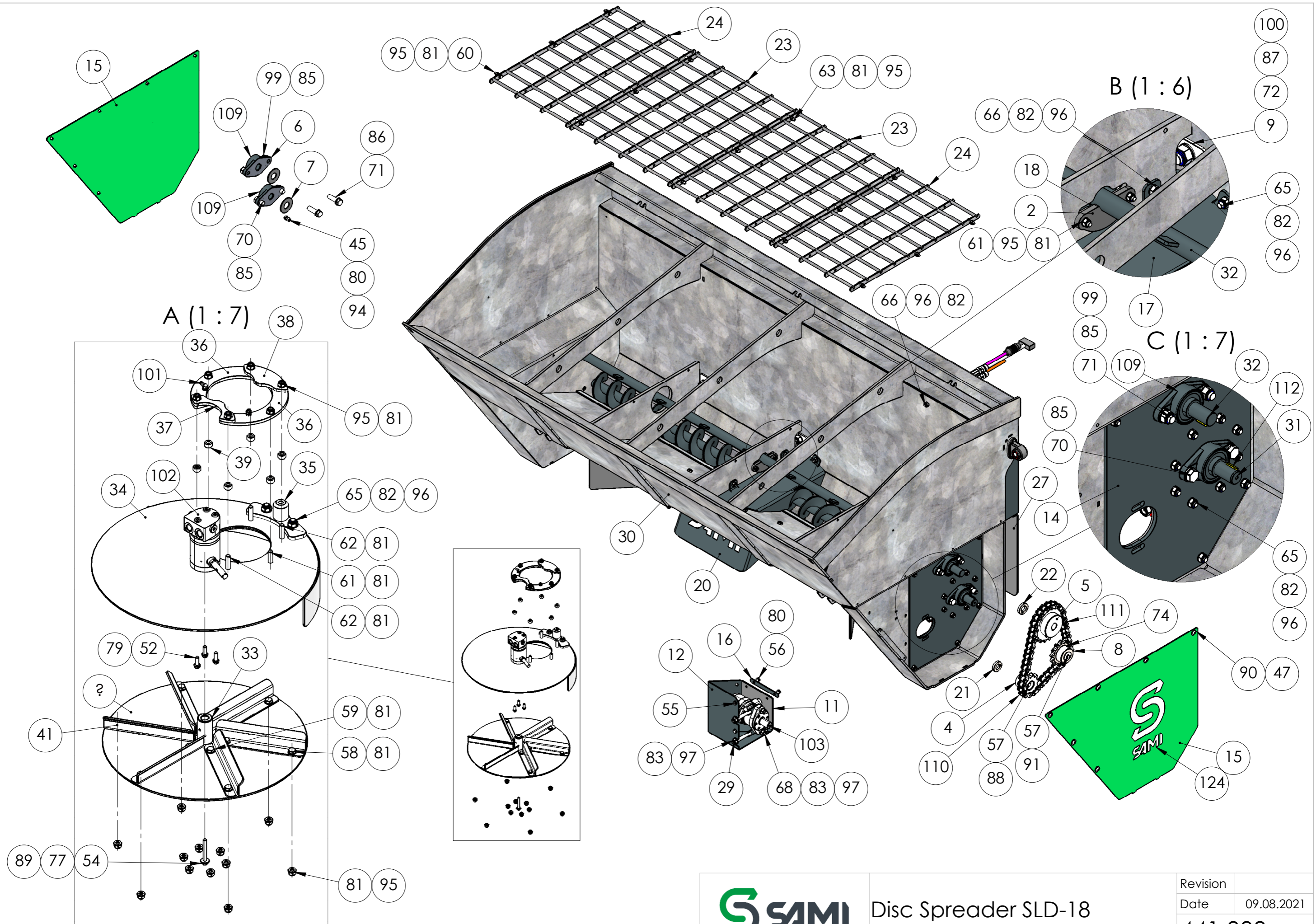
132	600.HC	Hydraulic top link (L=750...1225 mm)	1	Special order
131	500.HC	Hydraulic top link (L=650...1025 mm)	1	Special order
130	208E02461	Linear actuator 24V	1	Special order
129	217B0192	Relay set 24V	1	Special order
128	1903152	Magnet coil 24V	1	Special order
127	441.700	PVC-cover set	1	Special order
126	441.500	Back light set	1	Special order
125	S1303	Sticker	1	Sami logotype
124	S1103	Sticker	2	
123	S101	Sticker	1	Serial No.
122	A46804	Warning label	1	
121	A46799	Warning label	1	
120	A46798	Warning label	1	
119	A46772	Warning label	1	
118	A46771	Warning label	1	Read before using
117	299A0367	Reflector	2	White
116	299A0366	Reflector	2	Red
115	299A0255	U-gasket	1	
114	299A0188	Hose clamp	10	
113	217B0246	Led light	2	Red-white
112	214A0104	Parallel key	2	DIN 6885 - 8x7x30
111	209A0102	Spring clip connecting link	1	16B-1 No. 11 (DIN 8187-1)
110	209A0101	Roller chain (16B-1)	1	
109	208F0402	Bearing unit	4	
108	208E0423	Pipe clamp	2	A5 42
107	208E0422	Cover plate	1	
106	208E0419K	Hose clamp set	1	AD3 22-22 S
105	208E0401K	Hose clamp set	4	AD2 18-18 S
104	208E0246	Linear actuator 12V	1	
103	208E0245	Hydraulic motor	1	
102	208E0244	Hydraulic motor	1	
101	207A0104	Grease nipple M6 - 45°	2	
100	204A16091	Nut	3	DIN 985 (Nylock) M20 - A4
99	204A1608	Nut	4	DIN 985 (Nylock) M16 - Zn
98	204A16072	Nut	1	DIN 985 (Nylock) M12 - A4
97	204A1607	Nut	4	DIN 985 (Nylock) M12 - Zn
96	204A16062	Nut	25	DIN 985 (Nylock) M10 - A4
95	204A16052	Nut	45	DIN 985 (Nylock) M8 - A4
94	204A1605	Nut	1	DIN 985 (Nylock) M8 - Zn
93	204A1604	Nut	4	DIN 985 (Nylock) M6 - Zn
92	204A0901	Nut	4	DIN 934 - M10 - Zn
91	203A2809	Washer M8x40	1	
90	203A2702	Washer	12	DIN9021 - M8 - Zn
89	203A2701	Washer	1	DIN9021 - M6 - Zn
88	203A0901	Washer	1	DIN 440 - M8 - Zn
87	203A02121	Washer	6	DIN 125 - M20 - A4
86	203A02092	Washer	4	DIN 125 - M16 - A4
85	203A0209	Washer	8	DIN 125 - M16 - Zn
84	203A02072	Washer	2	DIN 125 - M12 - A4
83	203A0207	Washer	9	DIN 125 - M12 - Zn
82	203A02062	Washer	54	DIN 125 - M10 - A4
81	203A02052	Washer	91	DIN 125 - M8 - A4
80	203A0205	Washer	16	DIN 125 - M8 - Zn
79	203A02042	Washer	3	DIN 125 - M6 - A4
78	203A0204	Washer	8	DIN 125 - M6 - Zn
77	203A0107	Washer NordLock	1	DIN 25201 - M6 - Zn
76	202A0802	Retaining Pin	2	DIN11024 - Ø3 - Zn
75	202A0517	Slotted spring pin	2	DIN1481 - D6x20
74	202A0463	Socket set screw	3	DIN 916 - M8x10
73	202A0104	Linch pin	1	DIN 11023 - Ø6
72	201A221321	Hexagon head bolt	3	DIN 933 - M20x100 - A4
71	201A221191	Hexagon head bolt	4	DIN 933 - M16x 55 - A4
70	201A221041	Hexagon head bolt	4	DIN 933 - M16x 30 - A4
69	201A220781	Hexagon head bolt	1	DIN 933 - M12x 55 - A4
68	201A22078	Hexagon head bolt	2	DIN 933 - M12x 55 - Zn
67	201A220742	Hexagon head bolt	1	DIN 933 - M12x 35 - A4
Pos.	Dwg. No.	Part Name	Quantity	Notes

66	201A220471	Hexagon head bolt	6	DIN 933 - M10x 35 - A4
65	201A220461	Hexagon head bolt	19	DIN 933 - M10x 30 - A4
64	201A220442	Hexagon head bolt	4	DIN 933 - M10x 20 - A4
63	201A220301	Hexagon head bolt	9	DIN 933 - M 8x 45 - A4
62	201A220291	Hexagon head bolt	4	DIN 933 - M 8x 40 - A4
61	201A220281	Hexagon head bolt	4	DIN 933 - M 8x 35 - A4
60	201A220271	Hexagon head bolt	14	DIN 933 - M 8x 30 - A4
59	201A220261	Hexagon head bolt	8	DIN 933 - M 8x 25 - A4
58	201A220252	Hexagon head bolt	6	DIN 933 - M 8x 20 - A4
57	201A22025	Hexagon head bolt	2	DIN 933 - M 8x 20 - Zn
56	201A22024	Hexagon head bolt	2	DIN 933 - M 8x 16 - Zn
55	201A22022	Hexagon head bolt	8	DIN 933 - M 8x 12 - Zn
54	201A22013	Hexagon head bolt	1	DIN 933 - M 6x55 - Zn
53	201A22007	Hexagon head bolt	4	DIN 933 - M 6x25 - Zn
52	201A220062	Hexagon head bolt	3	DIN 933 - M 6x20 - A4
51	201A22004	Hexagon head bolt	4	DIN 933 - M 6x14 - Zn
50	201A219905	Hexagon head bolt	4	DIN 931 - M 8x130 - Zn
49	201A2122	Hexagon head bolt	2	DIN 931 - M 6x70 - Zn
48	201A2082	Flat head countersunk socket	4	
47	201A1804	Buton head socket cap screw	12	ISO7380 - M8x12 - Zn
46	201A1560	Socket head cap screw	2	DIN 912 - M6x80 - Zn
45	201A1516	Socket head cap screw	1	DIN 912 - M8x20 - Zn
44	201A1502	Socket head cap screw	5	DIN 912 - M6x25 - Zn
43	441.900	Hydraulic set	1	
42	441.800	Control unit	1	
41	441.342	Blade	6	
40	441.341	Disc	1	
39	441.334	Distance bushing	6	
38	441.333	Back bracket	1	
37	441.332	Front bracket	1	
36	441.331	Bracket	2	
35	441.320	Pin	1	
34	441.310	Motor bracket	1	
33	441.300	Flange	1	
32	441.210	Mixing shaft	1	
31	441.200	Auger	1	
30	441.100	Body	1	
29	441.050	Tensioner	2	
28	441.041	Hatch	1	
27	441.036	Mudguard	1	
26	441.035	Plate	1	
25	441.031	Control unit cover	1	
24	441.021	Protective grating	2	Outermost
23	441.020	Protective grating	2	Middle
22	441.019	Distance bushing	1	For mixing shaft
21	441.018	Distance bushing	1	
20	441.017	Cover plate	1	
19	441.010	Support leg	2	
18	441.009	Cover	1	Right
17	441.008	Cover	1	Left
16	441.007	Bracket	1	
15	441.006	Side cover	2	
14	441.005	Mounting plate	1	
13	441.004	Bracket	2	
12	441.003	Motor cover	1	
11	441.002	Rubber cover	1	
10	441.001	Rubber guard	2	
9	394.029	Rectangular washer	3	
8	394.019	Sprocket 16B1 Z=13	1	
7	394.011	Rubber seal for bearing	4	
6	394.010	Bearing cover	4	
5	394.005	Sprocket 16B1 Z=20	1	
4	394.004	Sprocket 16B1 Z=11	1	
3	297.00.008	Pin	2	
2	296.00.005	Support	1	
1	28.2010	Pin	2	
Pos.	Dwg. No.	Part Name	Quantity	Notes



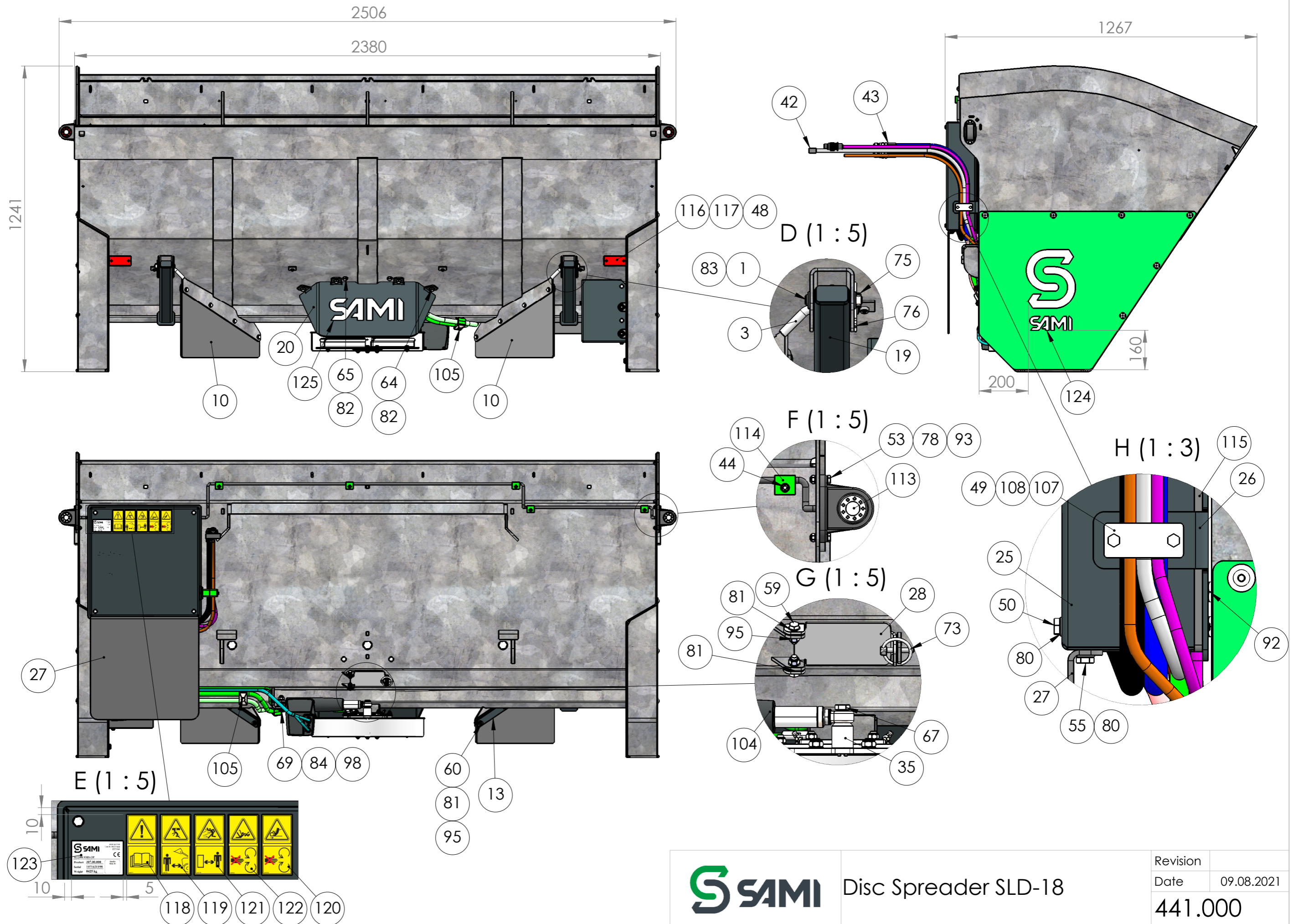
Disc Spreader SLD-18

Revision  
Date 09.08.2021  
441.000



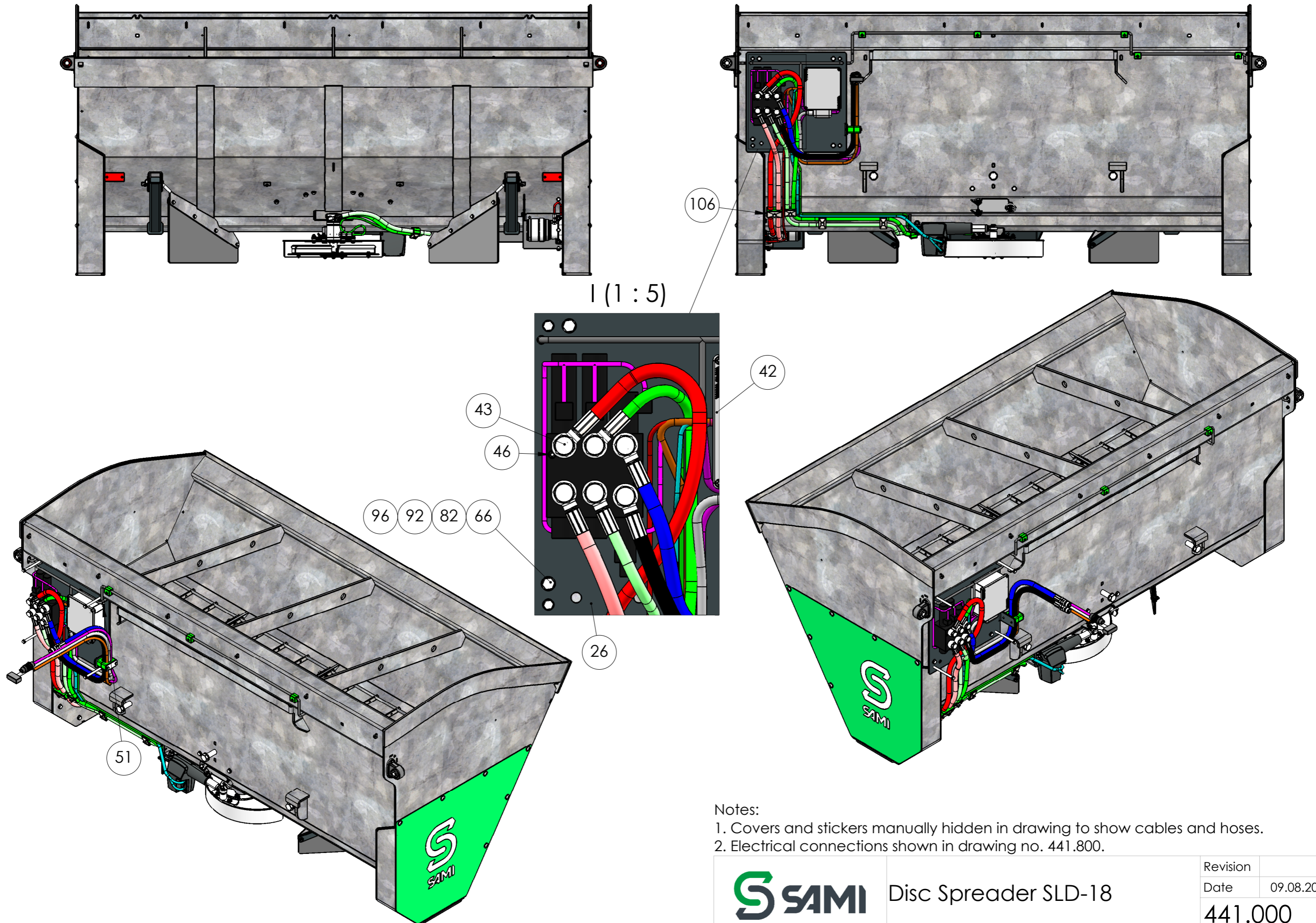
Disc Spreader SLD-18

Revision	
Date	09.08.2021
441.000	



Disc Spreader SLD-18

Revision	
Date	09.08.2021
441.000	

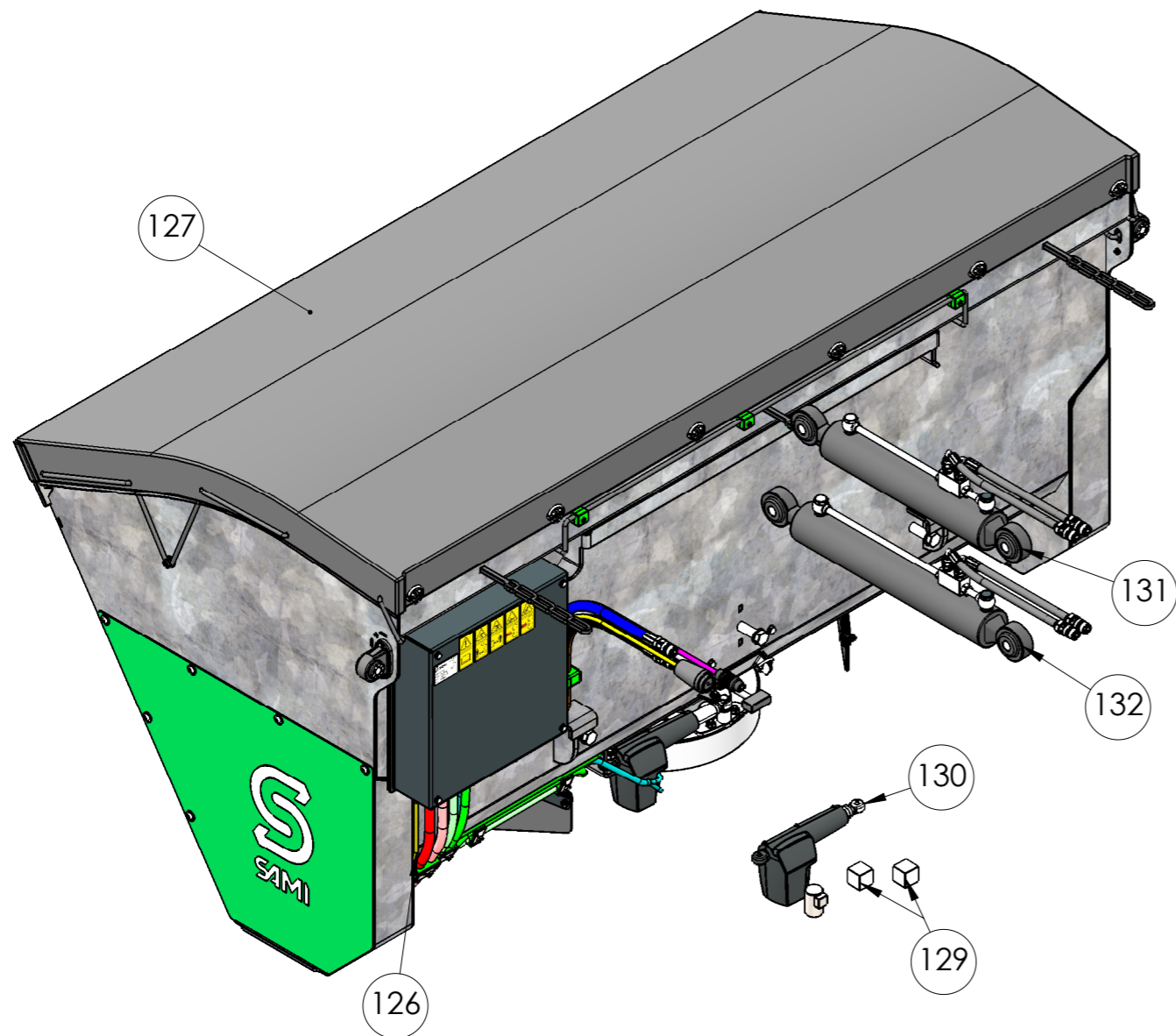
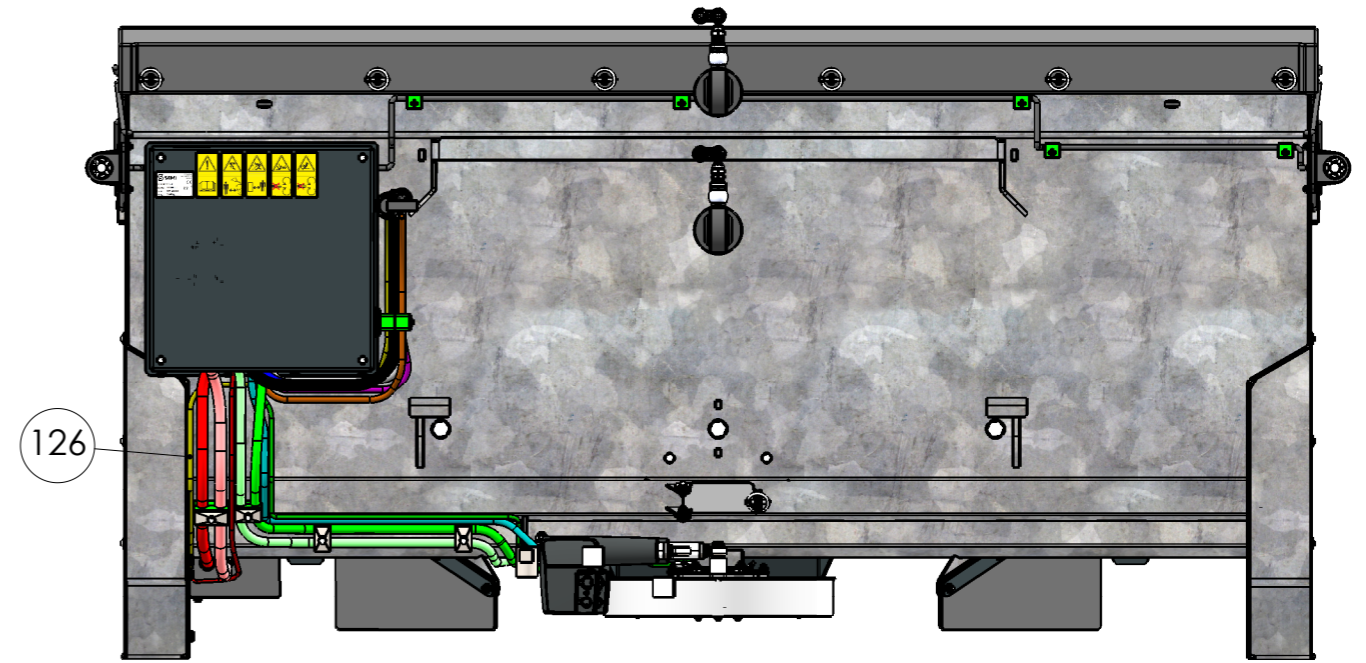
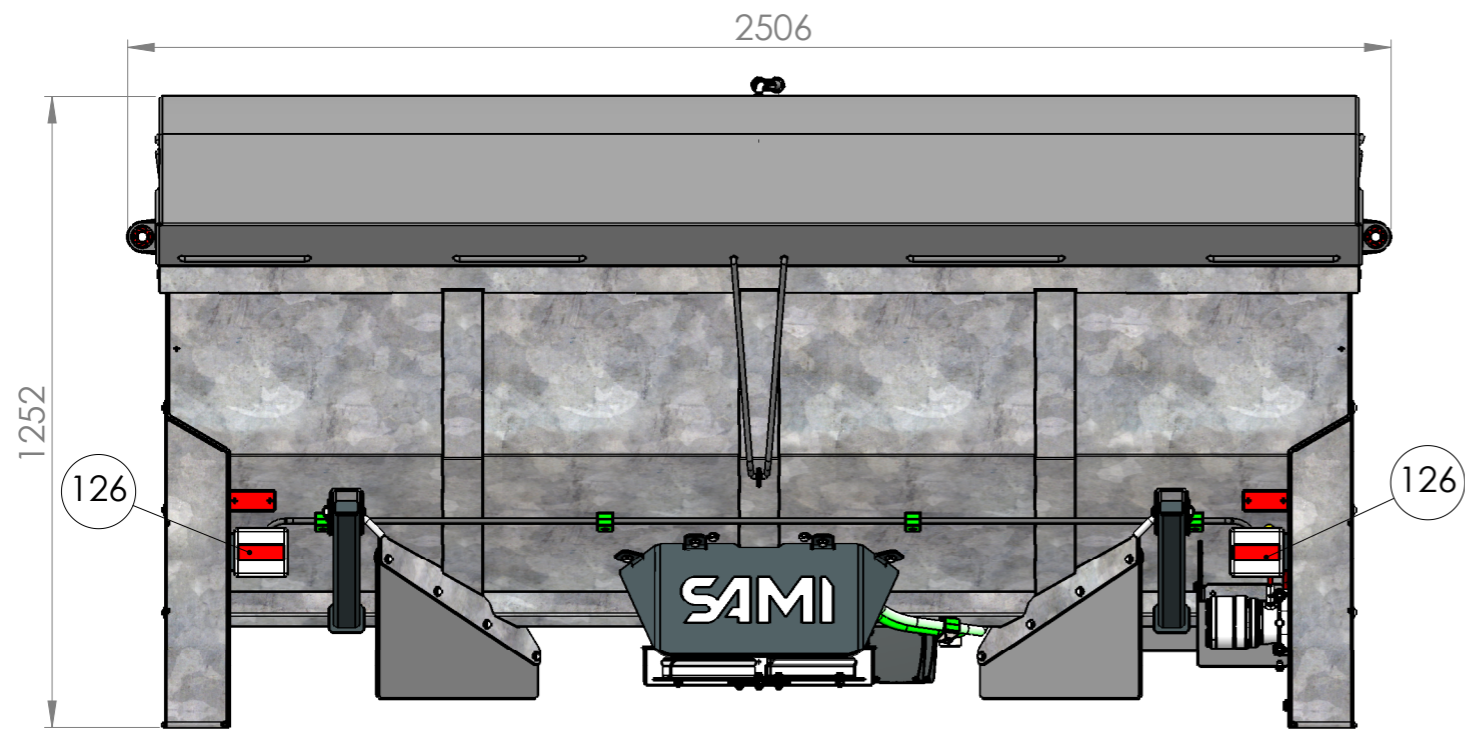


1 (1 : 5)

- Notes:
1. Covers and stickers manually hidden in drawing to show cables and hoses.
  2. Electrical connections shown in drawing no. 441.800.

	Disc Spreader SLD-18	
	Revision	09.08.2021
	Date	09.08.2021
	441.000	

# DISC SPREADER WITH ADDITIONAL EQUIPMENT

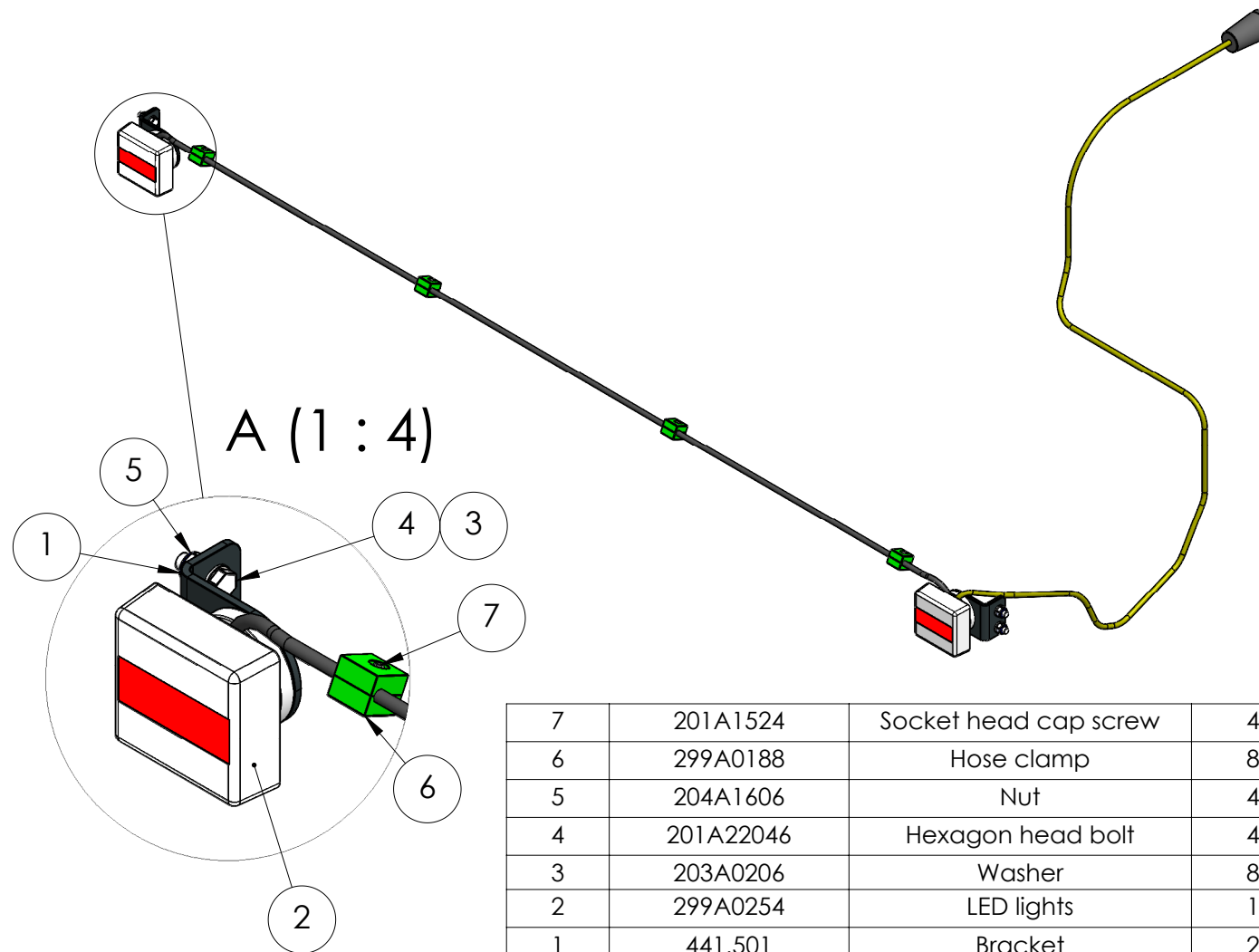


Notes:  
1. Covers manually hidden in drawing to show cables.



Disc Spreader SLD-18

Revision	
Date	09.08.2021
441.000	



7	201A1524	Socket head cap screw	4	DIN 912 - M6x20 - Zn
6	299A0188	Hose clamp	8	
5	204A1606	Nut	4	DIN 985 (Nylock) M10 - Zn
4	201A22046	Hexagon head bolt	4	DIN 933 - M10x 30 - Zn
3	203A0206	Washer	8	DIN 125 - M10 - Zn
2	299A0254	LED lights	1	
1	441.501	Bracket	2	
Pos.	Dwg. No.	Part Name	Quantity	Notes



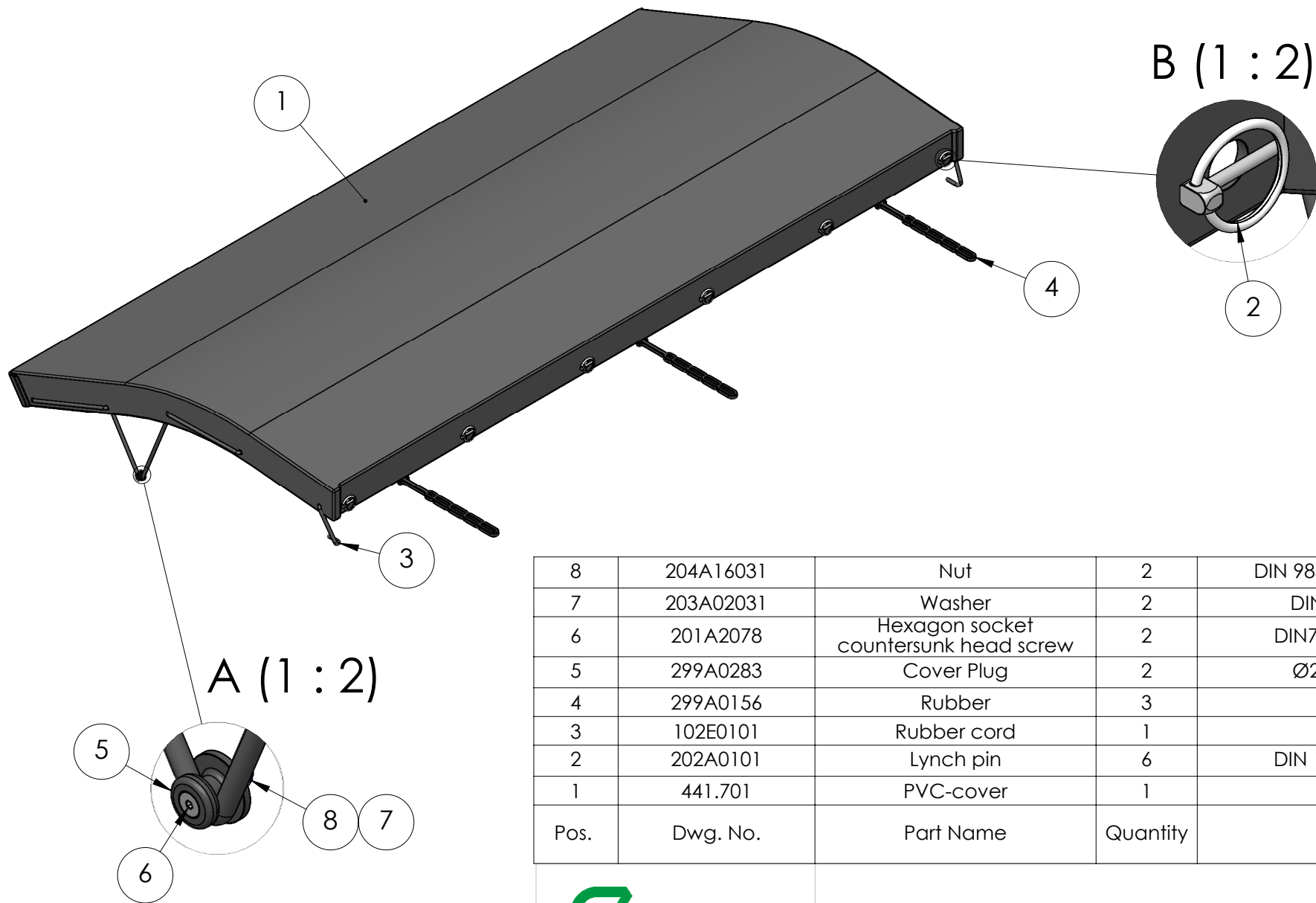
Back light set

Revision

Date

15.07.2021

441.500



8	204A16031	Nut	2	DIN 985 (Nylock) M5 - A4
7	203A02031	Washer	2	DIN 125 - M5 - A4
6	201A2078	Hexagon socket countersunk head screw	2	DIN7991 - M5x30 - Zn
5	299A0283	Cover Plug	2	Ø27 / Ø5,5 / H17
4	299A0156	Rubber	3	380 mm
3	102E0101	Rubber cord	1	
2	202A0101	Lynch pin	6	DIN 11023 - Ø4,5 - Zn
1	441.701	PVC-cover	1	
Pos.	Dwg. No.	Part Name	Quantity	Notes

**SAMI**

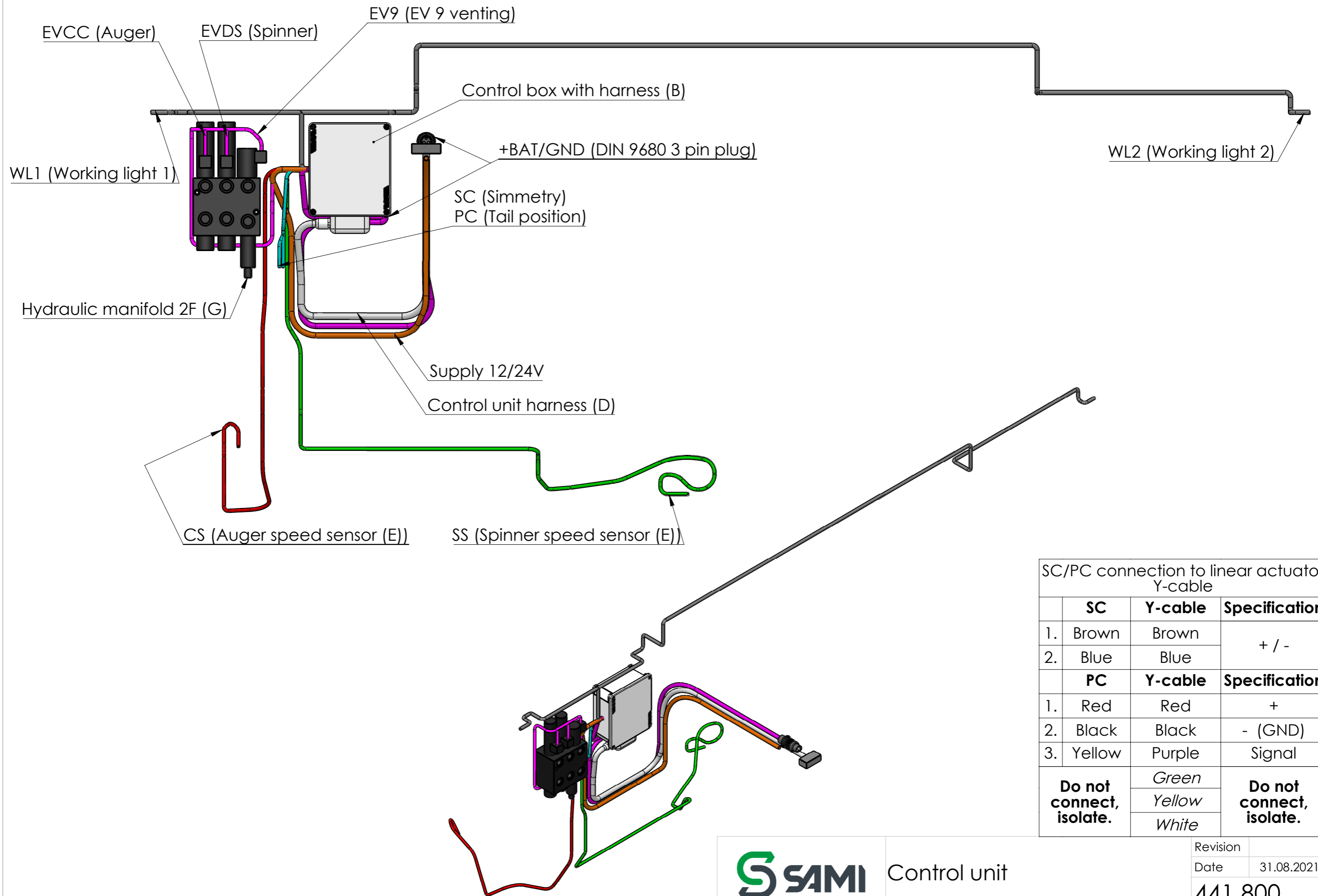
PVC-cover set

Revision

Date

15.07.2021

441.700



SC/PC connection to linear actuator Y-cable

	SC	Y-cable	Specification
1.	Brown	Brown	+ / -
2.	Blue	Blue	
	PC	Y-cable	Specification
1.	Red	Red	+
2.	Black	Black	- (GND)
3.	Yellow	Purple	Signal
<b>Do not connect, isolate.</b>	<i>Green</i>	<b>Do not connect, isolate.</b>	
	<i>Yellow</i>		
	<i>White</i>		



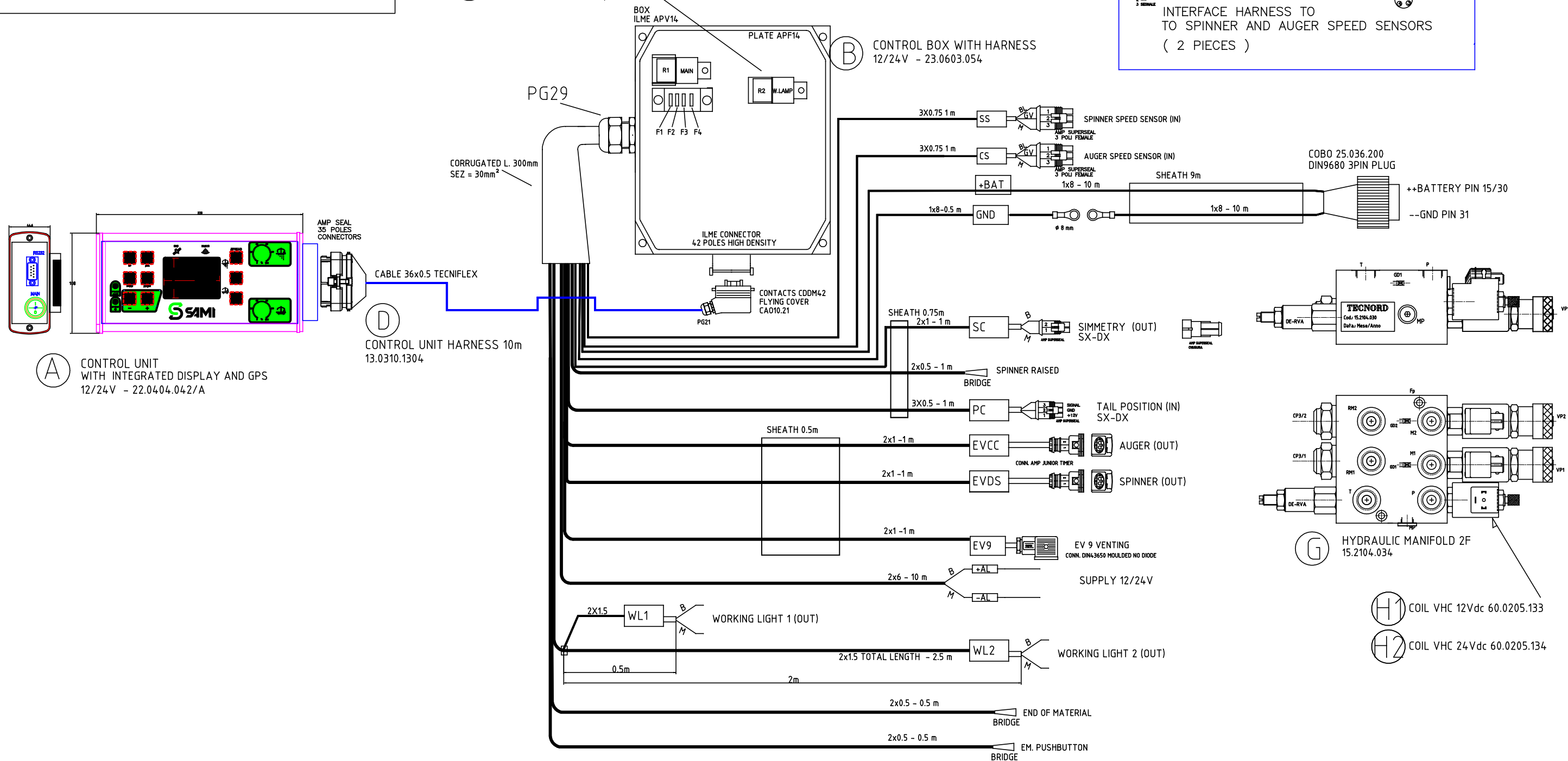
Control unit

Revision  
Date 31.08.2021  
441.800



# 2F SYSTEM WITH SPINNER AND AUGER FEEDBACK

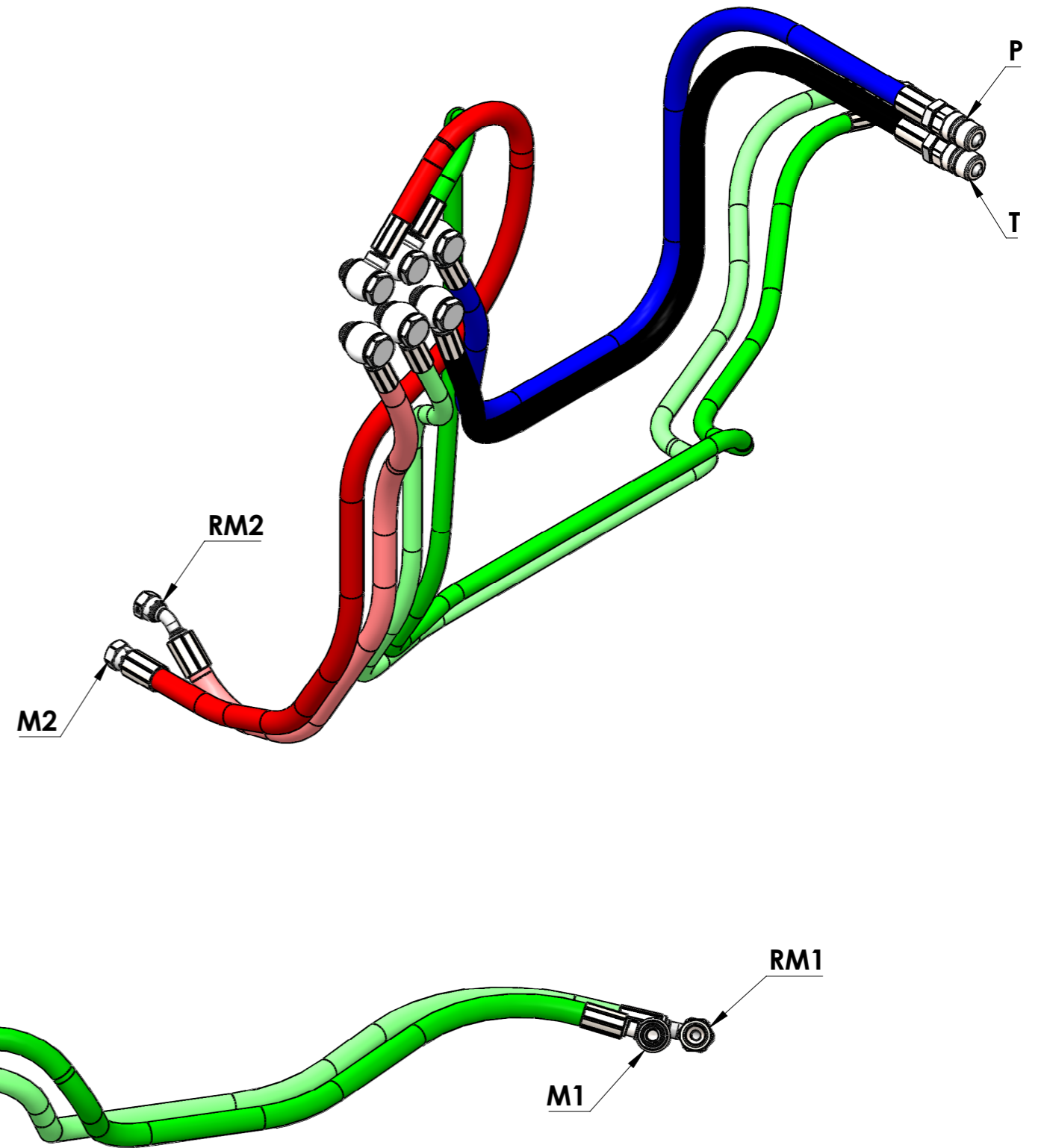
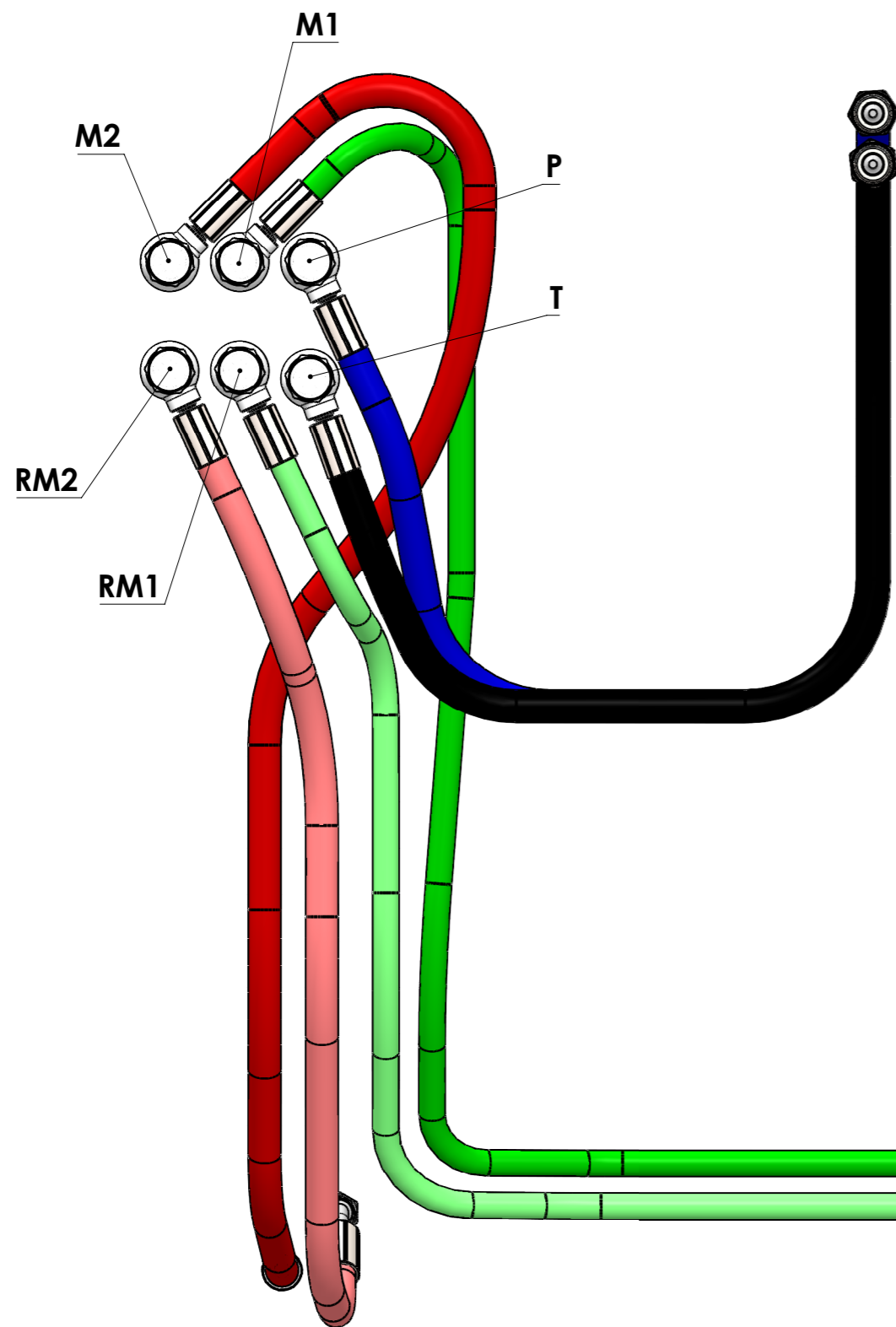
2F HYDRAULIC MANIFOLD WITH PROPORTIONAL CONTROL WITH MANUAL OPERATORS FOR EMERGENCY USE . ( Q<sub>in</sub> = 50Lt/min )  
 PROPORTIONAL CONTROL OF SPINNER AND AUGER  
 SETTINGS BY THE USE OF PUSHBUTTONS AND DISPLAY



COMPLETE CONTROL SYSTEM CODE 41.0601.145  
 ( INCLUDES ITEMS: A, B, C1, D, 2XE )

**SAMI kood: 441.800**

DENOMINAZIONE: CONTROL SYSTEM		SOSTITUISCE il N°		TECNORD	
FOR SALTSREADER 2F PROPORTIONAL WITH SPINNER AND AUGER FEEDBACK		SOSTITUITO dal N°			
Tratt.Termico:		SCALA	DATA	Foglio	di
MATERIALE:		1:1	19.05.21	1	1
COMMESSA	CLIENTE	COMPLESSIVO	N° ARCHIVIO	DISEGNO N°	
.	SAMI	SF.2935.SMI	.	Percorso: UTE\S\F\DIS\SF.2935.SMI.000.dwg	
QUOTE SENZA TOLLERANZA: da 1 a 80: ±0,1		da 80 a 200: ±0,15	da 200 a 300: ±0,2	da 300 a 600: ±0,3	SF.2935.SMI.001/C



Hydraulic set

Revision	
Date	15.07.2021
441.900	