
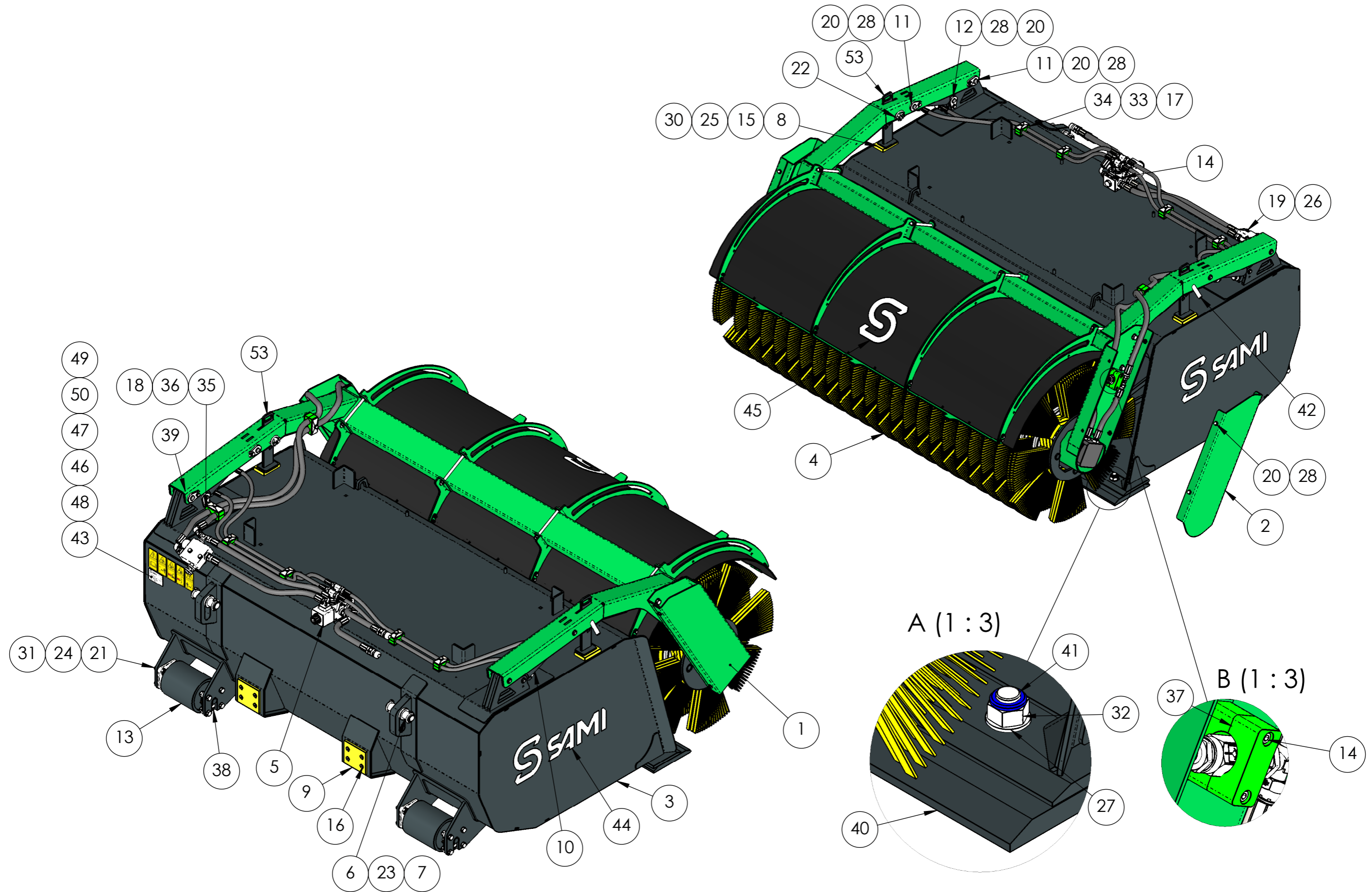


Rev.	Description	Date
A	Bucket has been strenghtened.	30.10.2019
B	Stronger plastic cover mounting brackets. New brackets for sweeper height limiting. New lifting points. Changes in water system.	13.07.2021

53	378.080	Bracket	2	
52	377.710	Blade set	1	Special order
51	1903151	24V/DC Coil	1	Special order
50	A46806	Warning label	1	
49	A46772	Warning label	1	
48	A46771	Warning label	1	Read before using
47	A46803	Warning label	1	
46	A46799	Warning label	1	
45	S1203	Sticker	1	Sami symbol white
44	S1005	Sticker	2	Sami logo white
43	S101	Sticker	1	Serial No.
42	A414750	Bent pin	2	Ø15
41	216A0304	Bolt Olofsfors	9	M20x55 Zn (959-590725)
40	216A0208	Olofsfors Bruxite bolt-on edge	3	
39	213A0137	Sleeve bearing	4	
Pos.	Dwg. No.	Part Name	Quantity	Notes

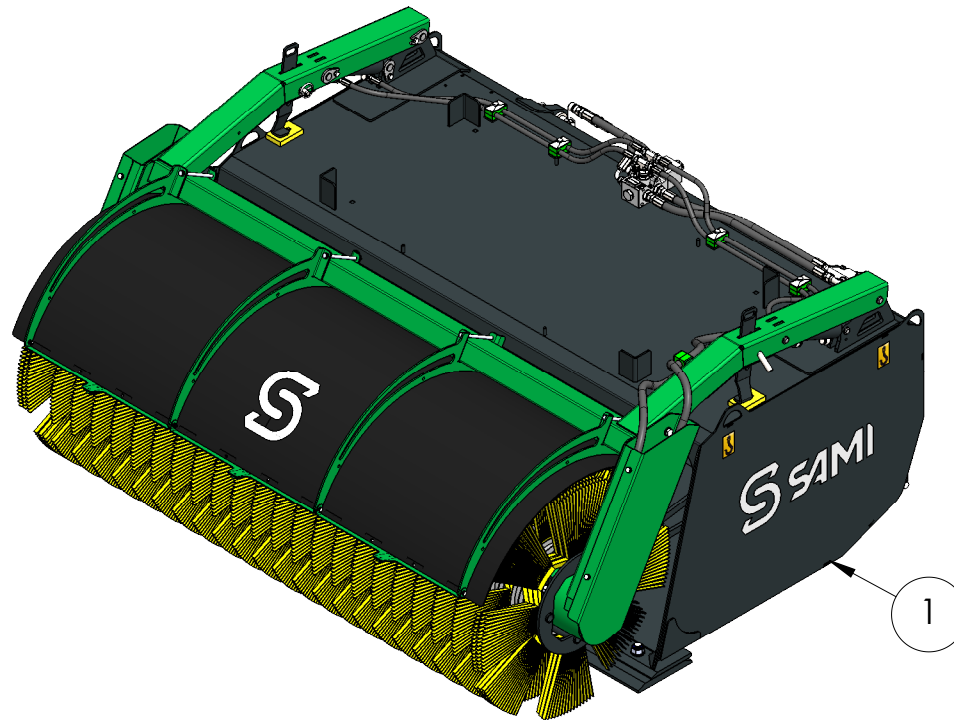
38	208F0106	Bearing unit	4	UCF205
37	208E0421	Pipe clamp	2	A5 42
36	208E0420	Hose clamp cover plate	2	ADPS3
35	208E0419	Hose clamp	4	AD3 22-22 S
34	208E0404	Hose clamp	8	AD2 14-14 S
33	208E0402	Hose clamp cover plate	4	ADPS2
32	204A1609	Nut	9	DIN 985 (Nylock) M20 - Zn
31	204A1607	Nut	16	DIN 985 (Nylock) M12 - Zn
30	204A1604	Nut	4	DIN 985 (Nylock) M6 - Zn
29	204A0903	Nut	2	DIN 934 - M8 - Zn
28	203A0503	Spring washer	14	DIN 127 - M8 - Zn
27	203A0212	Washer	9	DIN 125 - M20 - Zn
26	203A0205	Washer	2	DIN 125 - M8 - Zn
25	203A0204	Washer	4	DIN 125 - M6 - Zn
24	203A0105	Washer NordLock	16	DIN 25201 - M12 - Zn
23	202A0104	Linch pin	4	DIN 11023 - Ø6
22	202A0101	Lynch pin	2	DIN 11023 - Ø4,5 - Zn
21	201A22075	Hexagon head bolt	16	DIN 933 - M12x 40 - Zn
20	201A22025	Hexagon head bolt	14	DIN 933 - M 8x 20 - Zn
19	201A2164	Hexagon head bolt	2	DIN 931 - M 8x 55 - Zn
18	201A2153	Hexagon head bolt	2	DIN 931 - M 8x 45 - Zn
17	201A2124	Hexagon head bolt	4	DIN 931 - M 8x 35 - Zn
16	201A2072	Flat head countersunk socket	8	DIN 7991 - M8x12 - Zn
15	201A2067	Flat head countersunk socket	4	DIN 7991 - M6x25 - Zn
14	201A1531	Socket head cap screw	4	DIN 912 - M6x55 - Zn
13	378.060	Wheel	2	
12	378.050	Pin	2	D20x50
11	378.040	Pin	4	D20x97
10	378.020	Hydraulic cylinder	2	
9	378.015	Lower sliding plate	2	
8	378.009	Cushion	2	
7	378.005	Distance bush	4	
6	378.004	Pin	2	
5	377.900	Hydraulic set	1	
4	377.300	Sweeper	1	
3	377.200	Bucket	1	
2	377.003	Holder cover left	1	
1	377.002	Holder cover right	1	

Pos.	Dwg. No.	Part Name	Quantity	Notes	
 Bucket sweeper K1800				Revision	B
				Date	13.07.2021
				377.000.C	



Bucket sweeper K1800

Revision	B
Date	13.07.2021
377.000.C	



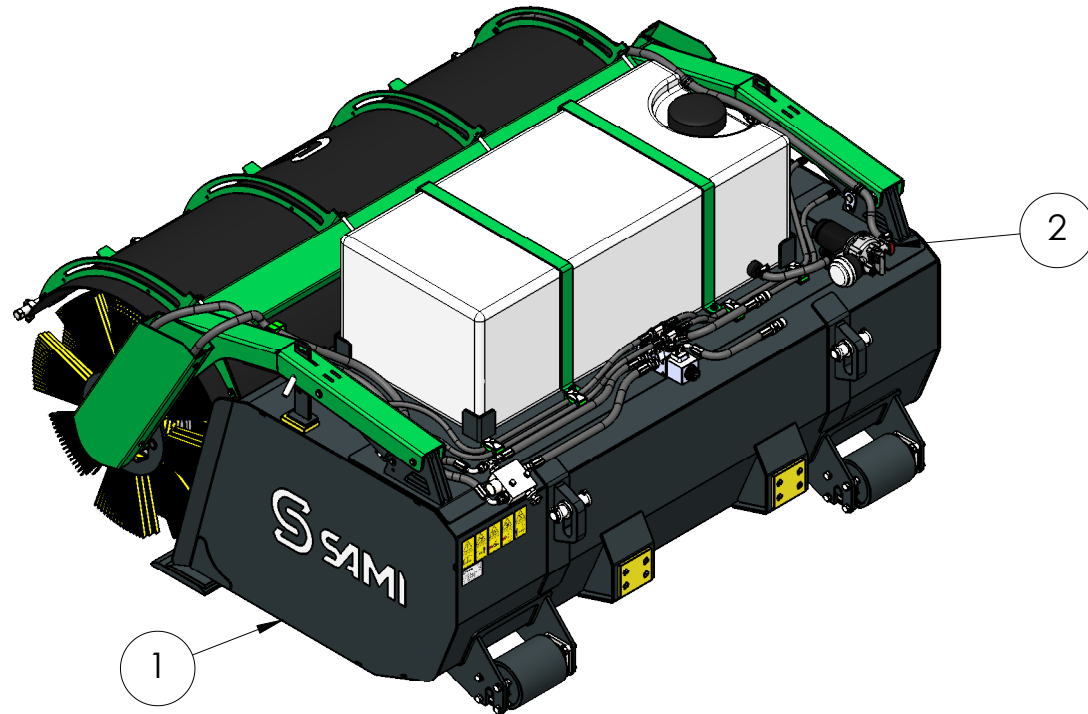
3	378.620	Electric cable	1	
2	378.610	Electric wire switch	1	
1	377.000.C	Bucket sweeper K1800	1	
Pos.	Dwg. No.	Part Name	Quantity	Notes



Bucket Sweeper K1800

Revision	
Date	22.08.2019
377.000	

Rev.	Description	Date
A	Changes in water system.	13.07.2021

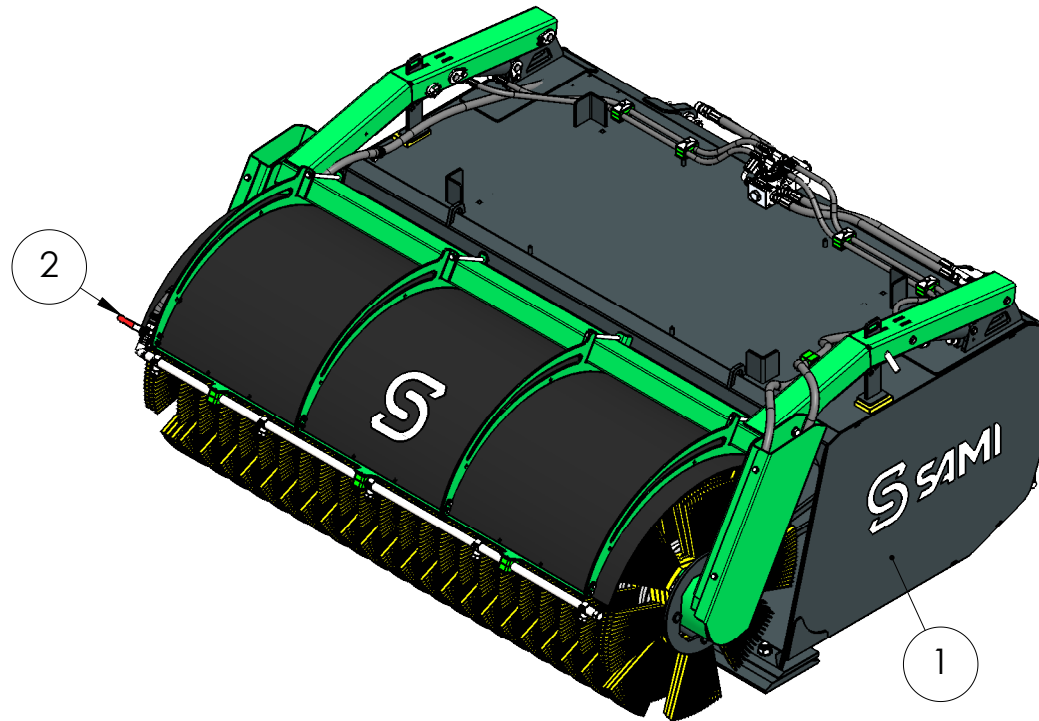


2	377.500	Spraying system set	1	
1	377.000.C	Bucket sweeper K1800	1	
Pos.	Dwg. No.	Part Name	Quantity	Notes



Bucket sweeper + water syst.

Revision	A
Date	13.07.2021
377.000.TS	



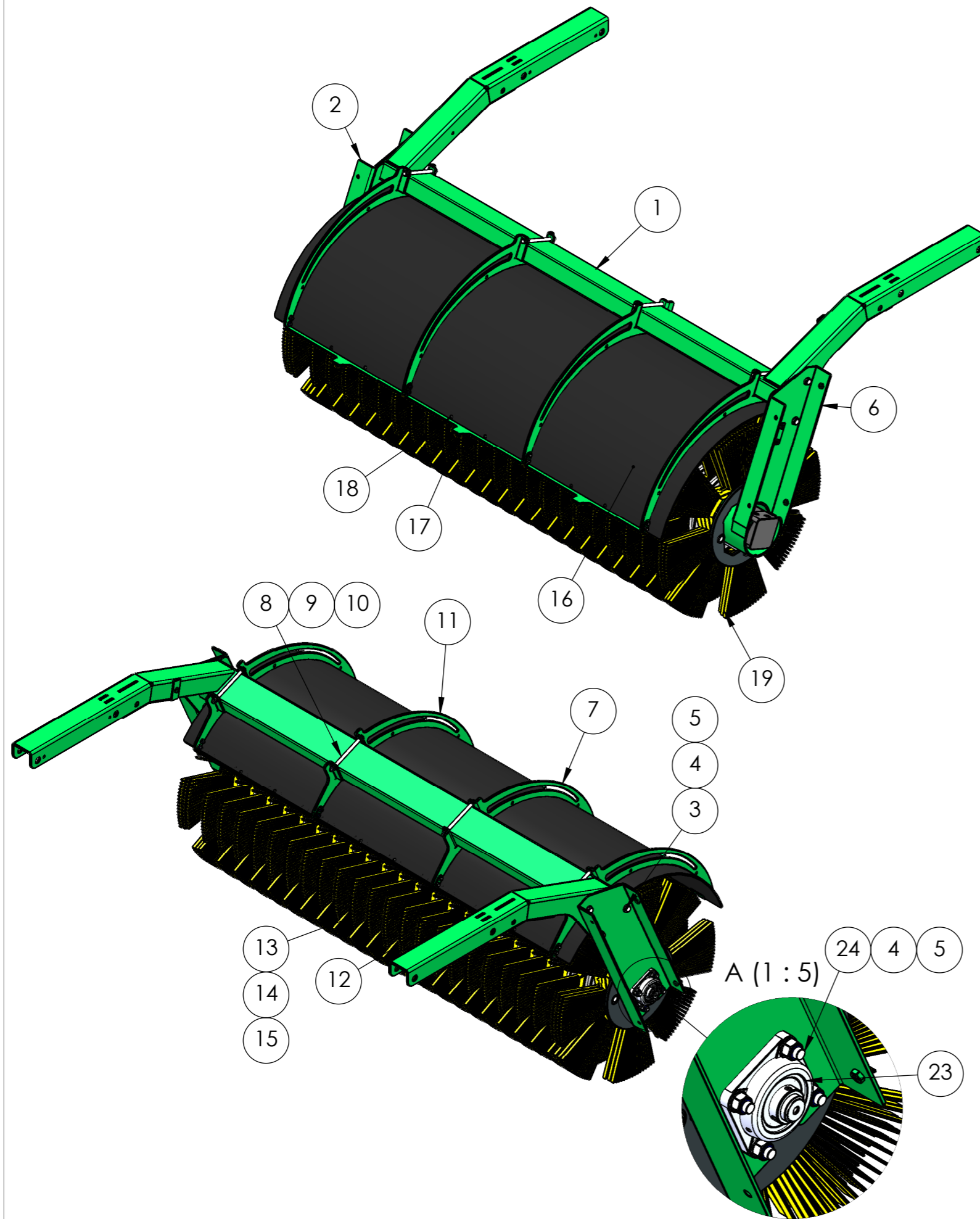
4	378.620	Electric cable	1	
3	378.610	Electric wire switch	1	
2	377.510	Spraying system set (L)	1	
1	377.000.C	Bucket sweeper K1800	1	
Pos.	Dwg. No.	Part Name	Quantity	Notes



Bucket sweeper with water system (L)

Revision	
Date	13.07.2021
377.000.TSL	

Rev.	Description	Date
A	Stronger plastic cover mounting brackets (backwards compatible).	13.07.2021



24	201A22075	Hexagon head bolt	4	DIN 933 - M12x 40 - Zn
23	208F0101	Flanged bearing unit	1	
22	201A22077	Hexagon head bolt	4	DIN 933 - M12x 50 - Zn
21	208E0227	Hydraulic motor	1	
20	378.330	Rubber coupling	1	
19	377.400	Hub with brushes	1	
18	201A1654	Blind rivet	12	Ø4x10
17	377.350	Edge with hose clamp	3	
16	377.305	Plastic cover	1	
15	204A1604	Nut	16	DIN 985 (Nylock) M6 - Zn
14	203A0204	Washer	32	DIN 125 - M6 - Zn
13	201A22006	Hexagon head bolt	16	DIN 933 - M 6x20 - Zn
12	377.304	Edge	3	
11	377.301	Plastic cover support	2	
10	204A1605	Nut	4	DIN 985 (Nylock) M8 - Zn
9	203A0205	Washer	8	DIN 125 - M8 - Zn
8	201A219903	Hexagon head bolt	4	DIN 931 - M 8x150 - Zn
7	377.302	Plastic cover support	2	
6	377.360	Holder left	1	
5	204A1607	Nut	14	DIN 985 (Nylock) M12 - Zn
4	203A0207	Washer	28	DIN 125 - M12 - Zn
3	201A22073	Hexagon head bolt	6	DIN 933 - M12x 30 - Zn
2	377.363	Holder right	1	
1	377.310	Sweeper frame	1	

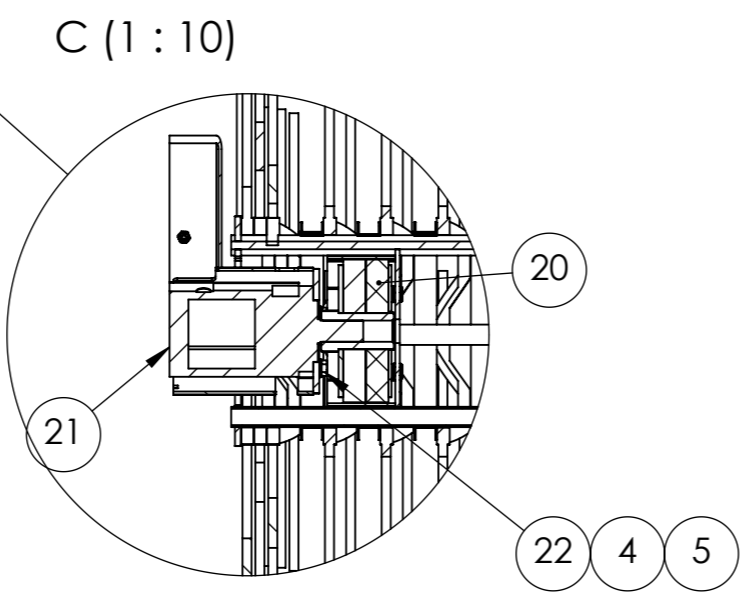
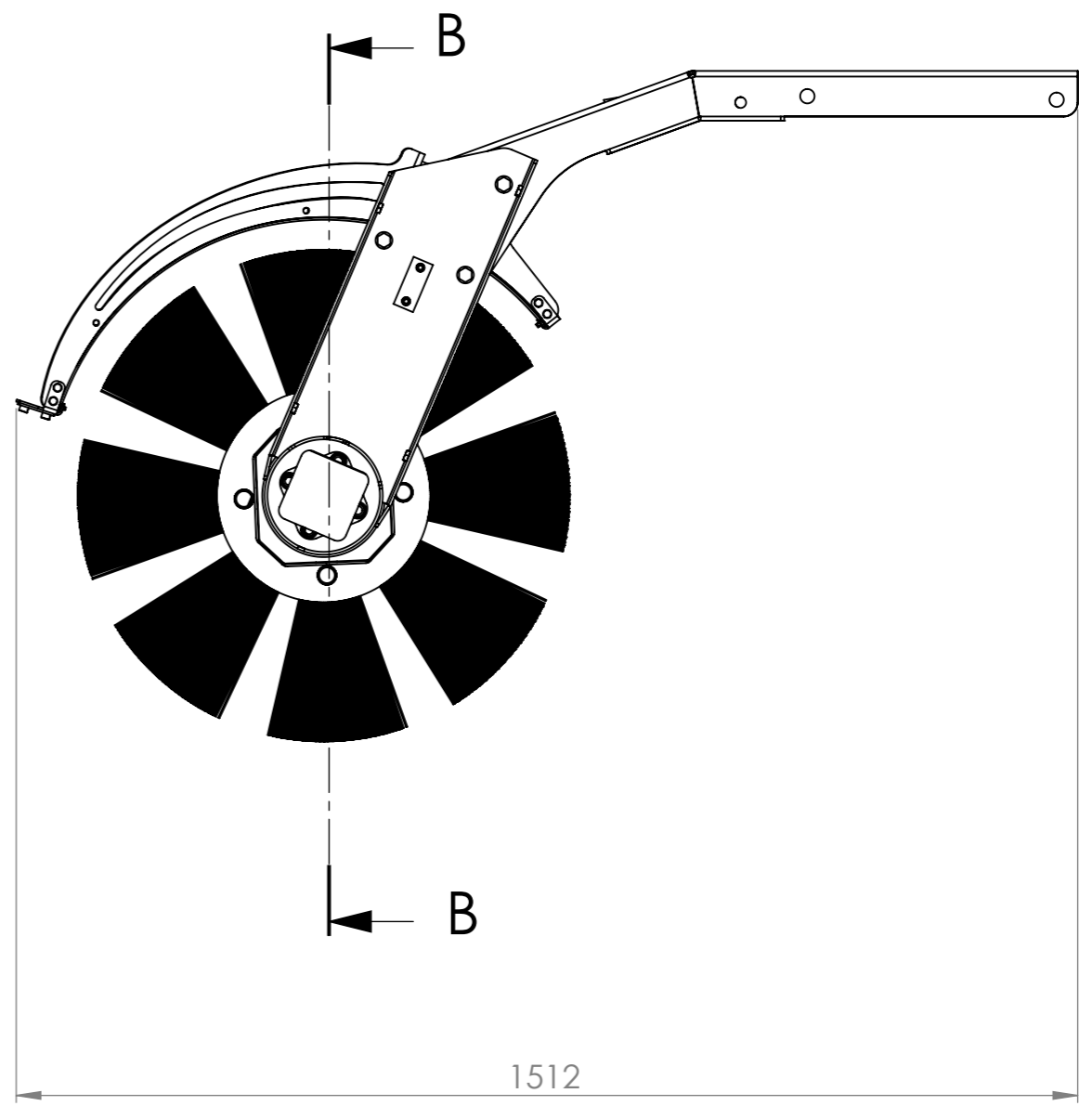
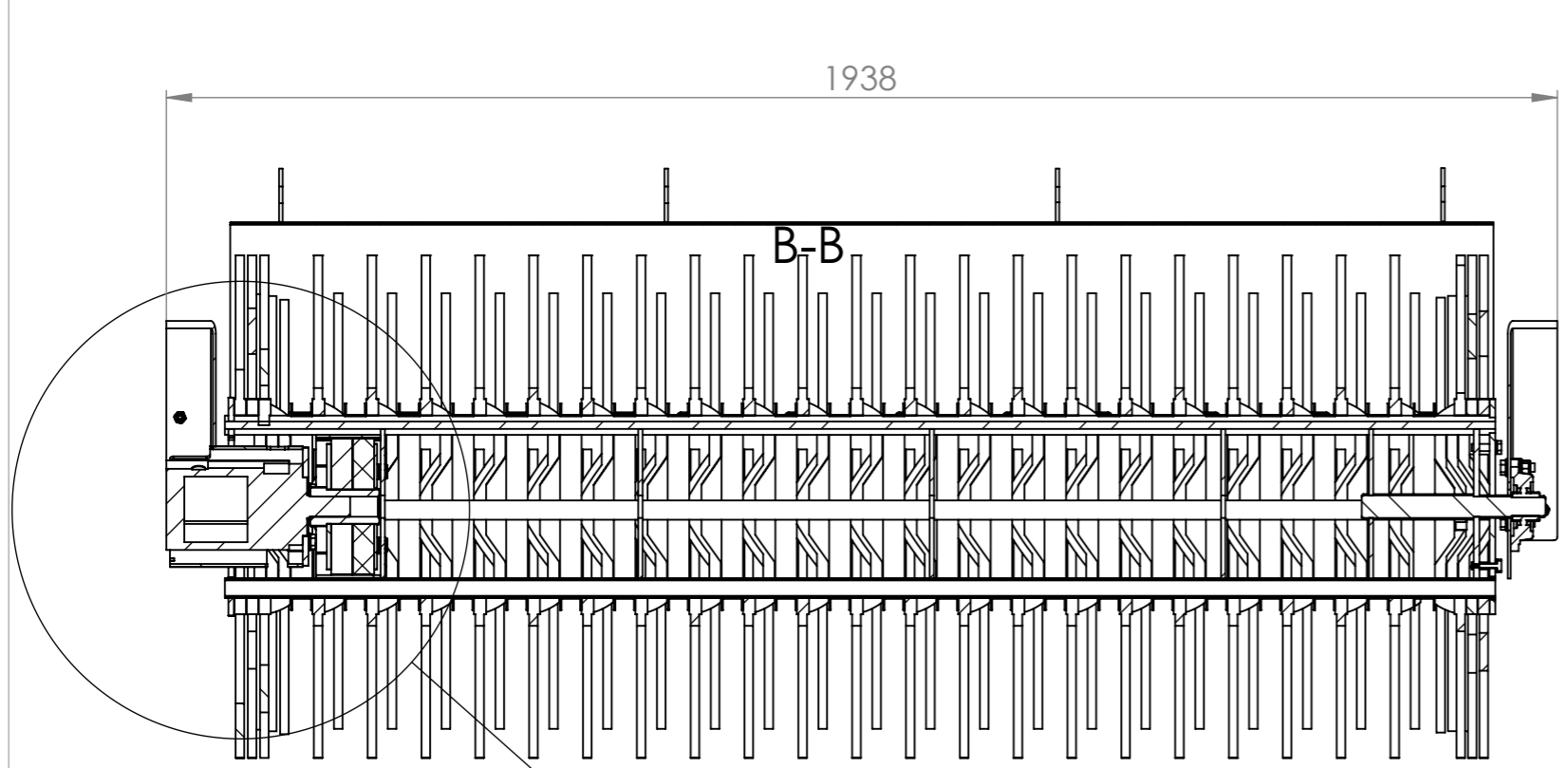
Pos.	Dwg. No.	Part Name	Quantity	Notes
------	----------	-----------	----------	-------




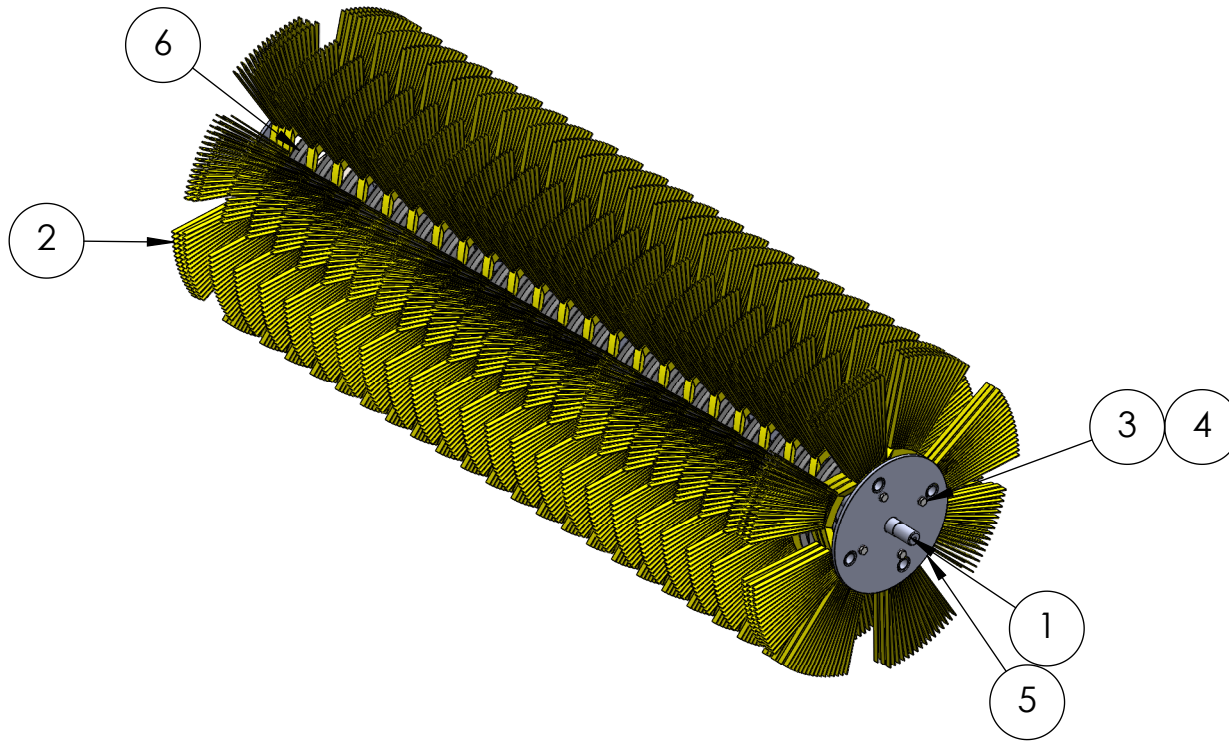
Sweeper

Revision	A
Date	13.07.2021

377.300



	Sweeper	
	Revision	A
	Date	13.07.2021
377.300		



6	212A0201	Distance ring	22	
5	378.401	Brush rings support plate	1	
4	203A0502	Spring washer	4	DIN 127 - M10 - Zn
3	201A22047	Hexagon head bolt	4	DIN 933 - M10x 35 - Zn
2	212A0109	Brush ring	27	
1	377.410	Sweepers core	1	
Pos.	Dwg. No.	Part Name	Quantity	Notes

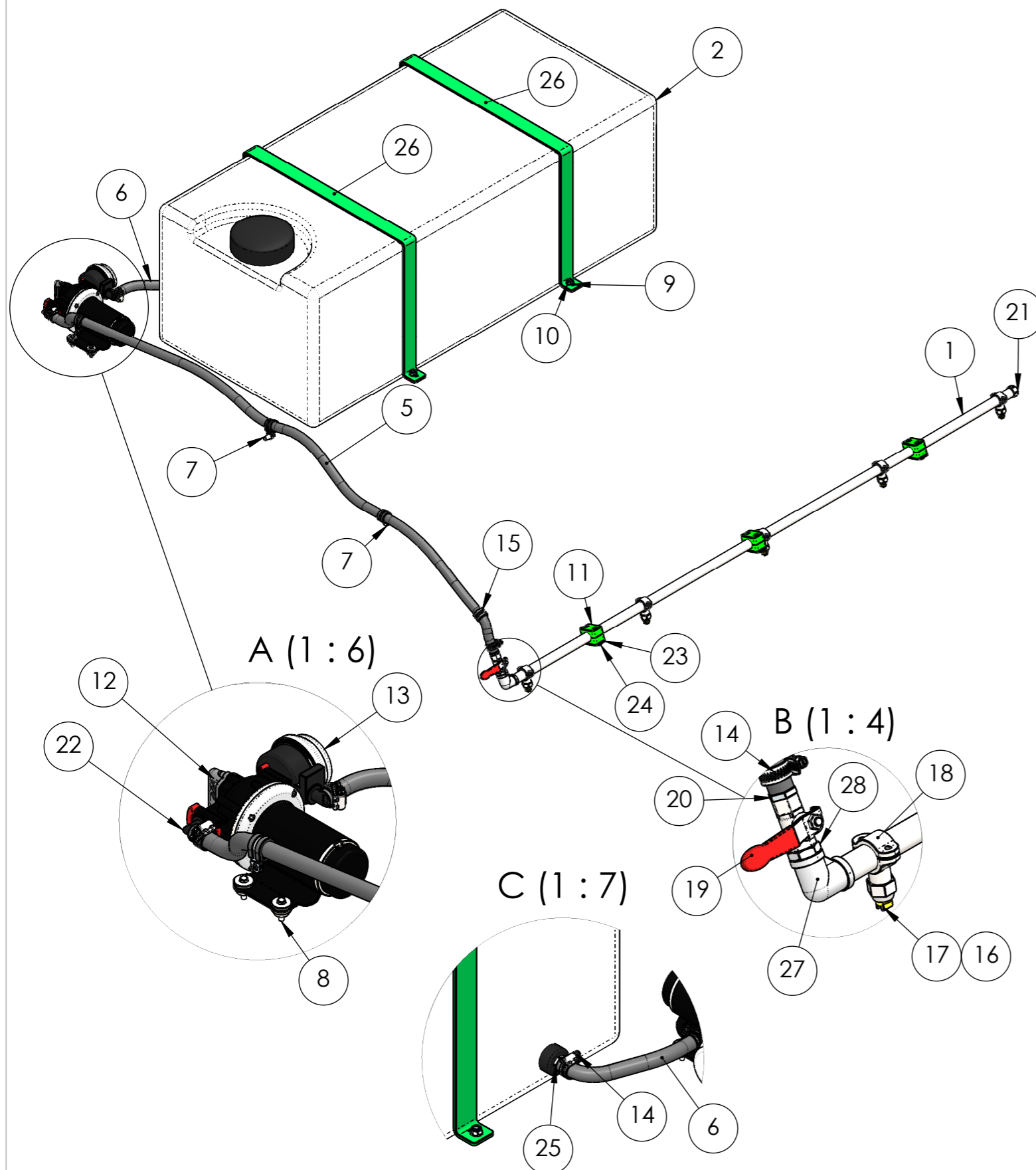


22.08.2019

Hub with brushes

377.400

Rev.	Description	Date
A	Water pipe to hose connection location changed. New water tank brackets.	13.07.2021

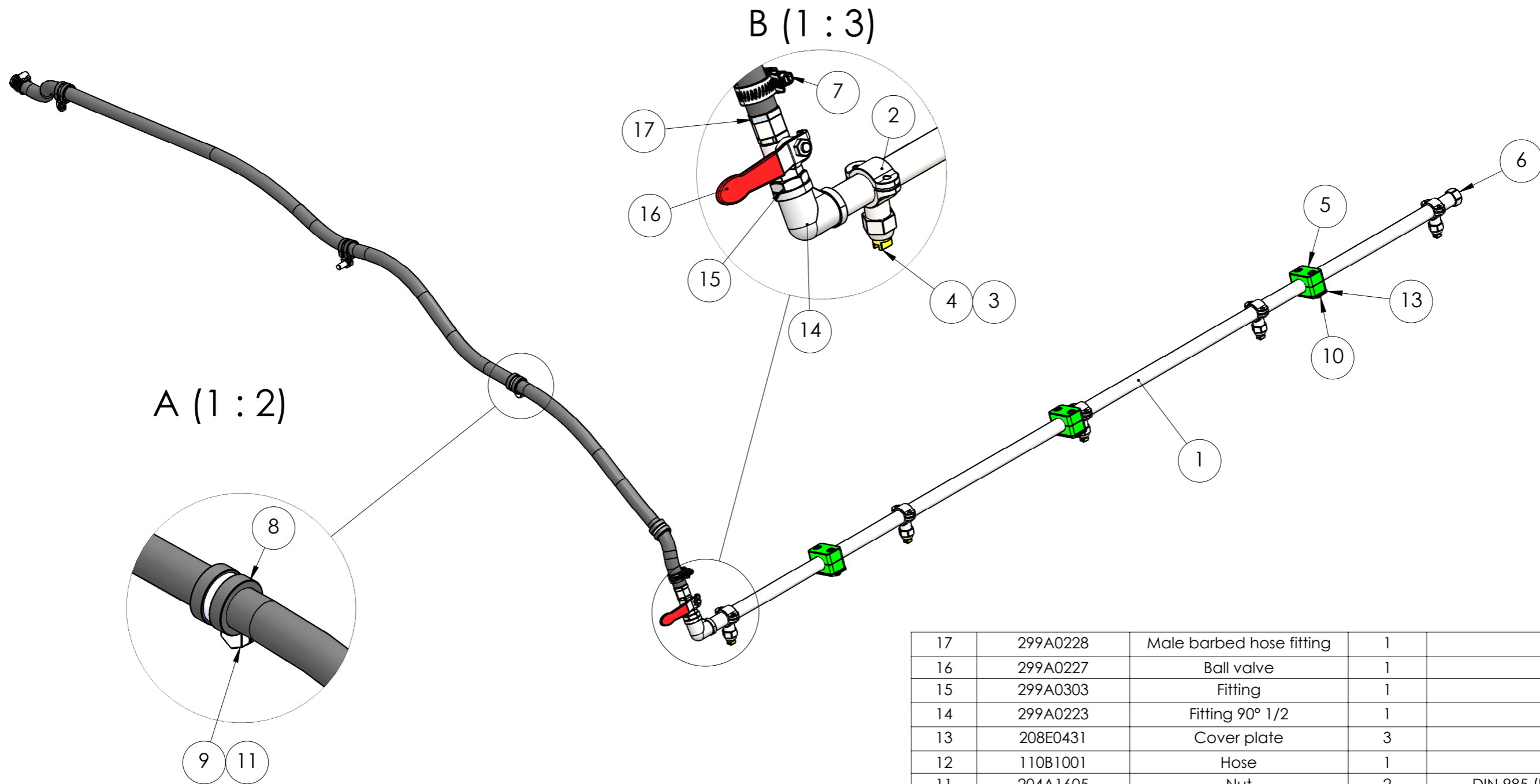


28	299A0303	Fitting	1	
27	299A0223	Fitting 90° 1/2	1	
26	378.032	Bracket	2	
25	299A0224	Male barbed hose fitting	1	
24	201A22010	Hexagon head bolt	6	DIN 933 - M 6x40 - Zn
23	208E0431	Cover plate	3	
22	299A0275	1/2" barb 90deg fitting	2	
21	299A0229	Blind nut	1	Stainless 1/2"
20	299A0228	Male barbed hose fitting	1	
19	299A0227	Ball valve	1	3/8"
18	299A0225	Nozzle holder	5	8272004 Tecomec
17	299A0221	Nozzle	5	
16	299A0220	Nozzle filter	5	
15	299A0217	Hose clamp	4	DIN3016 D20x15
14	299A0204	Hose Clamp	4	ABA 19-28mm
13	217A0109	Pump filter	1	
12	217A0108	Water pump	1	
11	208E0430	Pipe clamp	6	A3 1/2"
10	204A1605	Nut	6	DIN 985 (Nylock) M8 - Zn
9	203A0205	Washer	4	DIN 125 - M8 - Zn
8	201A22139	Hexagon head bolt	4	DIN 933 - M 5x25 - Zn
7	201A22025	Hexagon head bolt	3	DIN 933 - M 8x 20 - Zn
6	110B1001	Hose	1	
5	110B1001	Hose	1	
4	378.640	Electric cable double	1	
3	378.630	Electric wire switch (double)	1	
2	378.501	Tank	1	
1	377.502	Water pipe	1	
Pos.	Dwg. No.	Part Name	Quantity	Notes



Spraying system set

Revision	A
Date	13.07.2021
377.500	



17	299A0228	Male barbed hose fitting	1	
16	299A0227	Ball valve	1	3/8"
15	299A0303	Fitting	1	
14	299A0223	Fitting 90° 1/2	1	
13	208E0431	Cover plate	3	
12	110B1001	Hose	1	
11	204A1605	Nut	2	DIN 985 (Nylock) M8 - Zn
10	201A22010	Hexagon head bolt	6	DIN 933 - M 6x40 - Zn
9	201A22025	Hexagon head bolt	3	DIN 933 - M 8x 20 - Zn
8	299A0217	Hose clamp	4	DIN3016 D20x15
7	299A0204	Hose Clamp	2	ABA 19-28mm
6	299A0229	Blind nut	1	Stainless 1/2"
5	208E0430	Pipe clamp	6	A3 1/2"
4	299A0221	Nozzle	5	
3	299A0220	Nozzle filter	5	
2	299A0225	Nozzle holder	5	8272004 Tecomec
1	377.502	Water pipe	1	

Pos.	Dwg. No.	Part Name	Quantity	Notes
------	----------	-----------	----------	-------

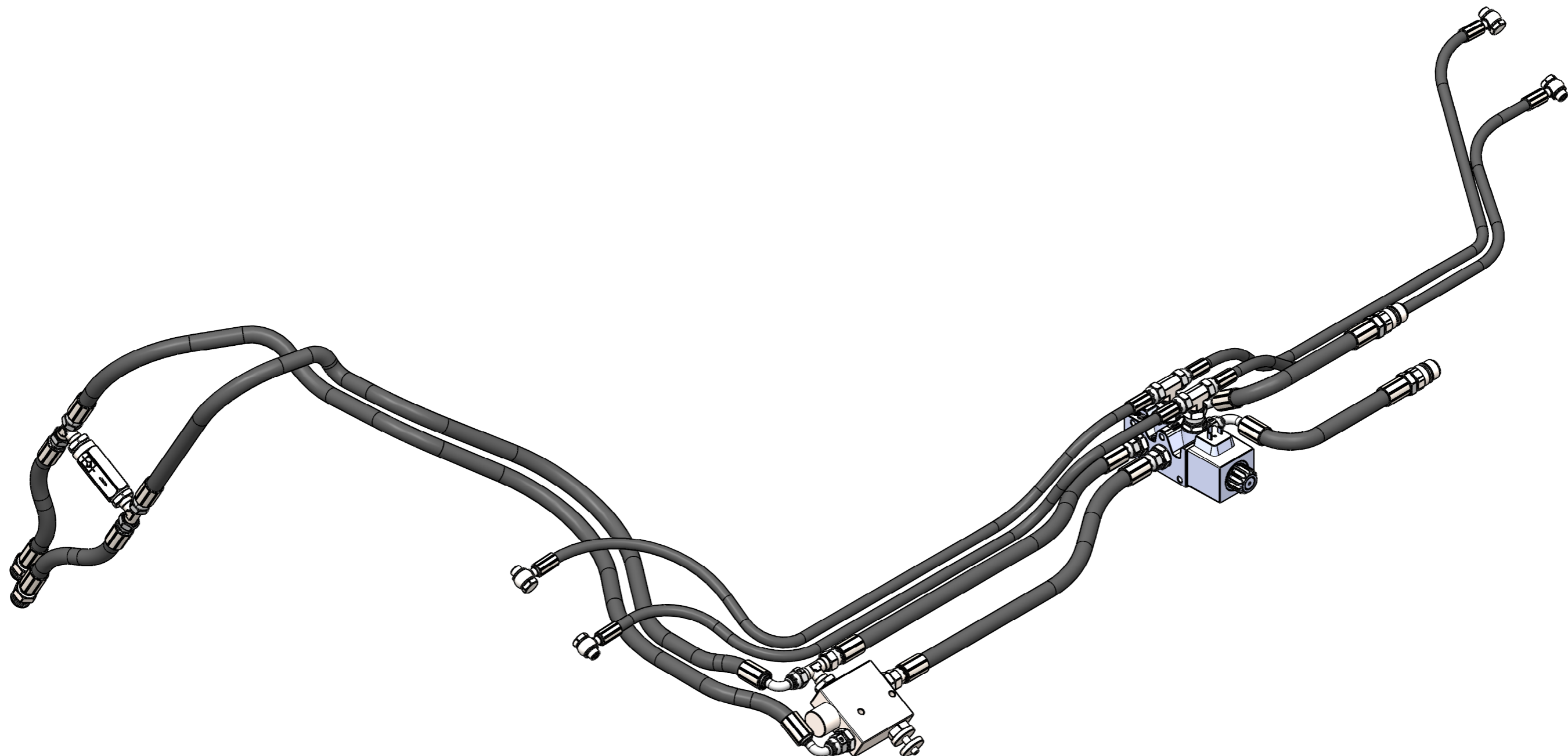


Spraying system set (L)

Revision

Date 13.07.2021

377.510



Hydraulic set

Revision	
Date	13.07.2021
377.900	