

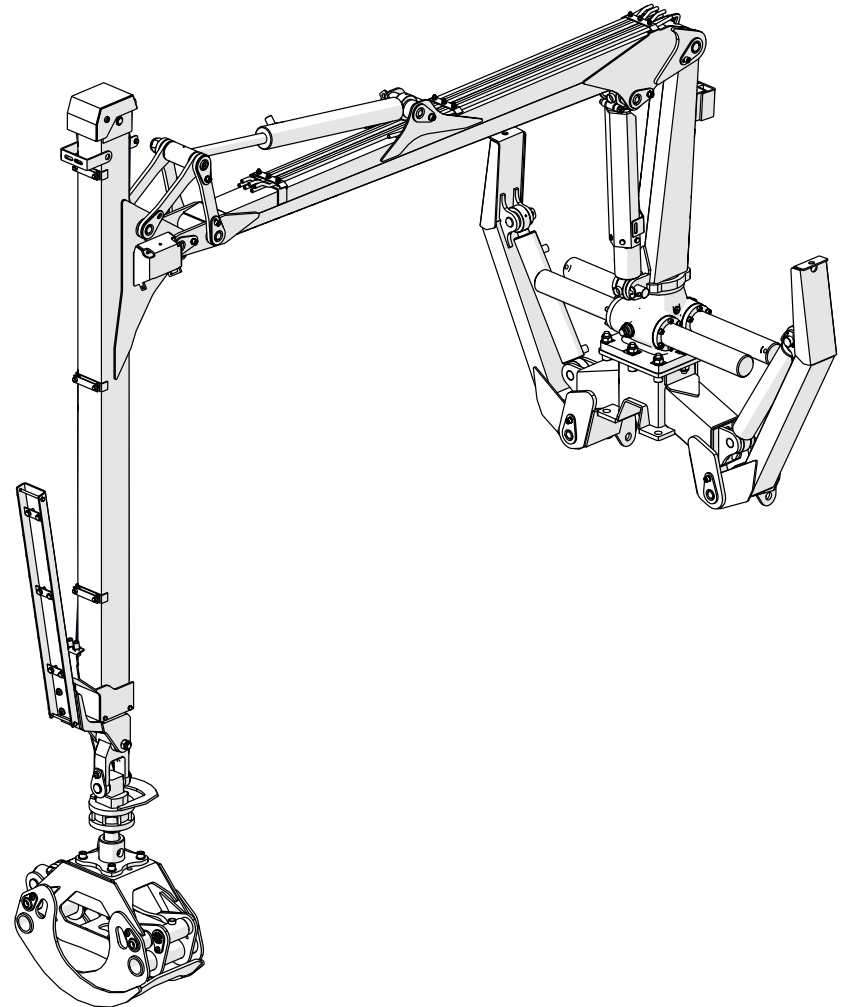
FARM I FOREST

SPARE PARTS

FORESTRY CRANE

CR36

V1.0-11.05.2022



FARMI FOREST

is a registered trademark of FARMI FOREST OY. © 2022 FARMI FOREST OY. All rights reserved.

Manufacturer info

FARMI FOREST OY

Kilpivirrantie 7, 74120 Iisalmi, Finland

+358 40 6375599

info@farmiforest.fi

Product info:

Dealer info and sales date:

.....
.....

Model:

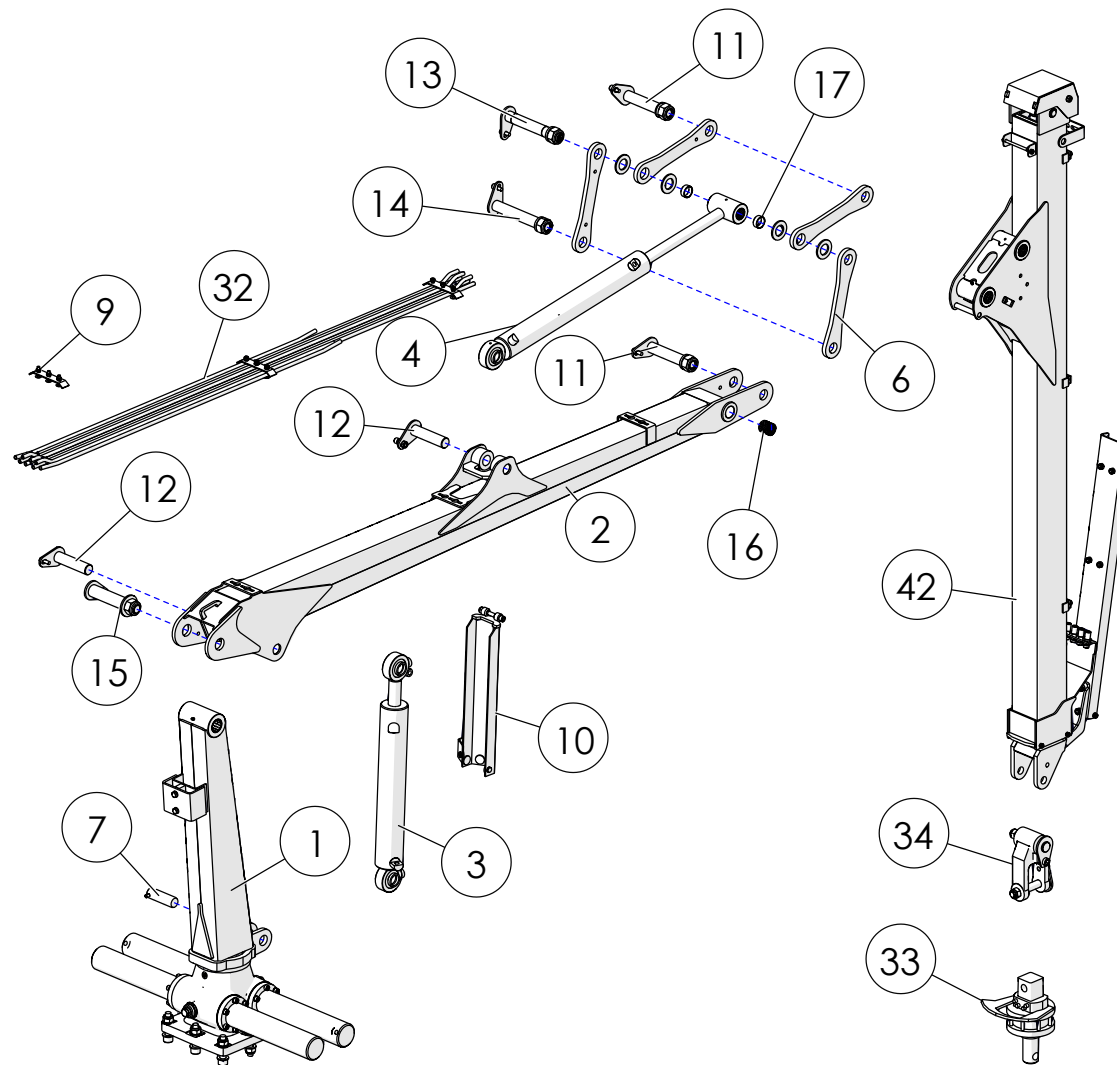
.....

Serial Number:

.....

View 1

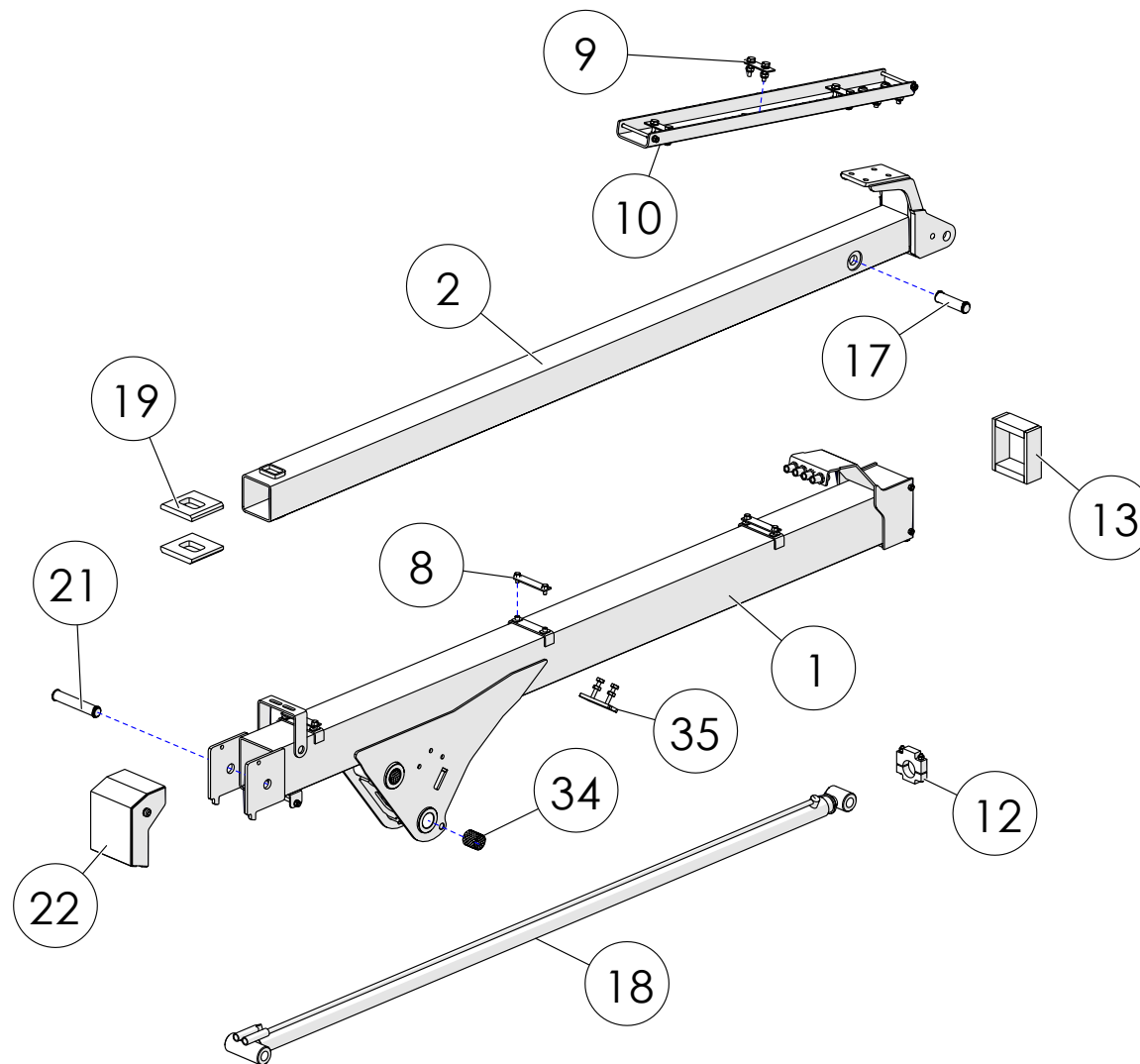
CR36



FARMI FOREST

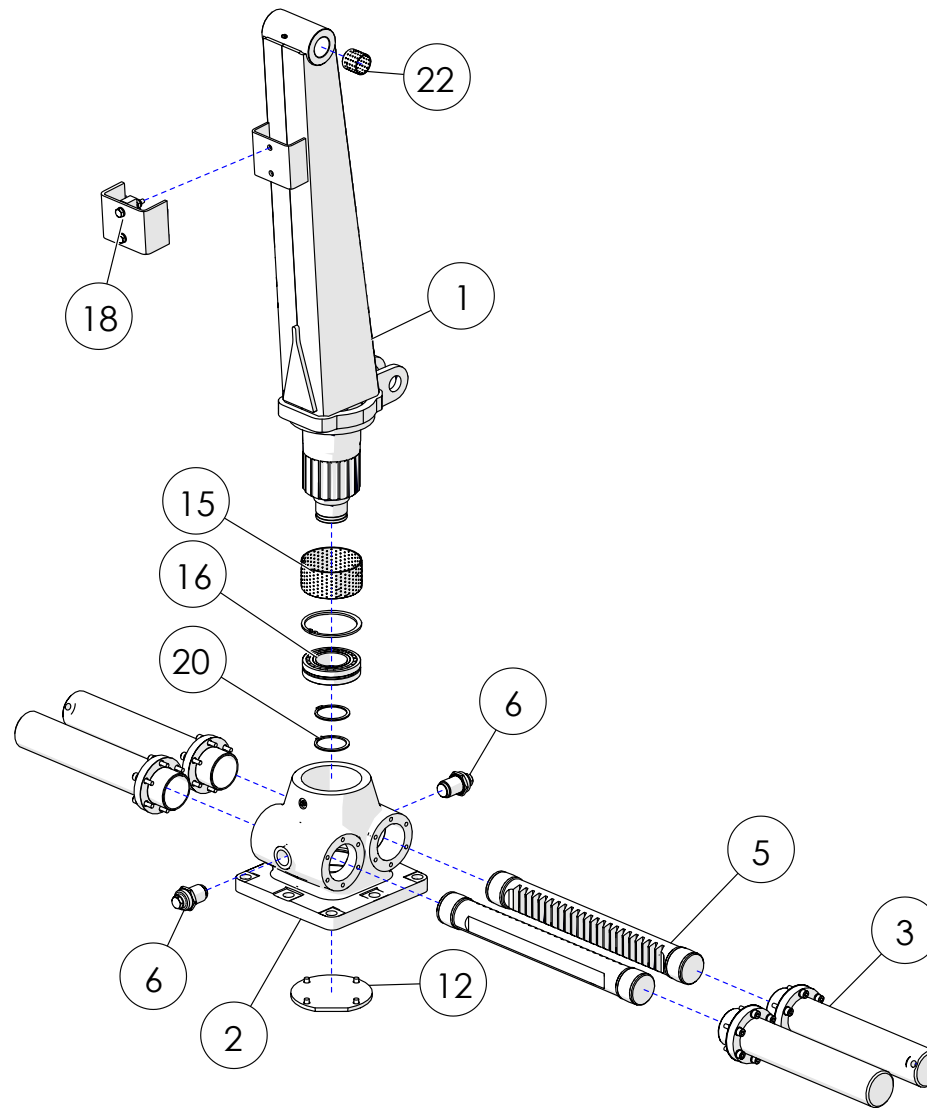
Pos.	Qty.	Description	Part No.	NOTE
1	1	Slewing device and pillar	2-54.01.00.00-75-KIT	
2	1	Main boom	2-54.02.00E	Includes also position 16
3	1	Cylinder	sil.90-50-425-GE35-KIT	
4	1	Cylinder	sil.80-45-510B-KIT	
6	1	Puller kit	CR36-PULLER-KIT	
7	1	Slotted pin	SA-35-100-KIT	
9	3	Pipe clamp	2-54.00.00.01B-KIT	
10	1	Cylinder cover	3-54.06.00.00-KIT	
11	2	Pin	TK-35-155-KIT	
12	2	Plain pin	T-35-142-KIT	
13	1	Pin	TK-35-200B-KIT	
14	1	Pin	TK-35-200-KIT	
15	1	Pin	TK-40-165-KIT	
16	1	Bronze bushing kit	FB0923540-2-KIT	
17	1	Upper joint wear parts	CR36-UP-JOINT-KIT	Distance washer and bronze bushings
32	1	Main boom pipe kit	CR36-PIPE-KIT	
33	1	Rotator	RG_30	
34	1	Link without brakes*	70443-0B*	
42	1	Extension boom	3-61.01.00.00	

*Spare part number for **single brake link is 70443-1B** and for **double brake link is 70443-2B**



FARMI FOREST

Pos.	Qty.	Description	Part No.	NOTE
1	1	Extension boom	3-61.01.01.00- KIT	Includes also position 34
2	1	Telescope	3-67.06.00.00	
8	3	Clamp	625.05.01.02- KIT	
9	3	Hose clamp	700.00.00.19B- KIT	
10	1	Hose gutter	810.00.00.26C- KIT	
12	1	Telescope cylinder support	670.00.00.03- KIT	
13	1	Extension boom slider kit	CR36-EXT-SLIDE- KIT	
17	1	Retaining ring pin	LR-25-91- KIT	
18	1	Cylinder	Sil.40-28-1850	
19	2	Telescope slider kit	CR36-TEL-SLIDE- KIT	
21	1	Retaining ring pin	LR-25-137- KIT	
22	1	Extension boom hose cover	3-67.07.00.00- KIT	
34	1	Bronze bushing	FB0923540-4- KIT	
35	1	Hose support	3-61.01.00.01- KIT	



Pos.	Qty.	Description	Part No.	Note
1	1	Pillar	2-54.01.01.00D	
2	1	Slewing housing	420.01.00.01D	
3	4	Hollow	420.01.00.02-75- KIT	
5	2	Gear rack	2-54.00.00.07- KIT	
6	2	Gear rack's support bolt	700.00.00.07- KIT	
12	1	Cover	420.01.00.04- KIT	
15	1	Bronze bushing	FB09212060	
16	1	Spherical roller bearing	22213_CW33	
18	1	Hose clamp	695.00.00.05B- KIT	
20	2	Retaining ring kit	D65x2.5_DIN471	Includes 3 retaining rings
22	1	Bronze bushing kit	FB0924040-2- KIT	

PART NUMBER FOR GEAR RACK SEAL REPLACEMENT KIT IS: **2-54.01.00.00-75-SEAL**

Cylinder	Bronze bushing		Seal kit	
	Part No.	Qty.	Part No.	Qty.
sil.90-50-425	*	*	VAR_BHC90/50-2019	1
sil.80-45-510B	FB0923540-2- KIT	1	VAR_BHC80/45	1
sil.40-28-1850	*	*	BHC40/28	1