

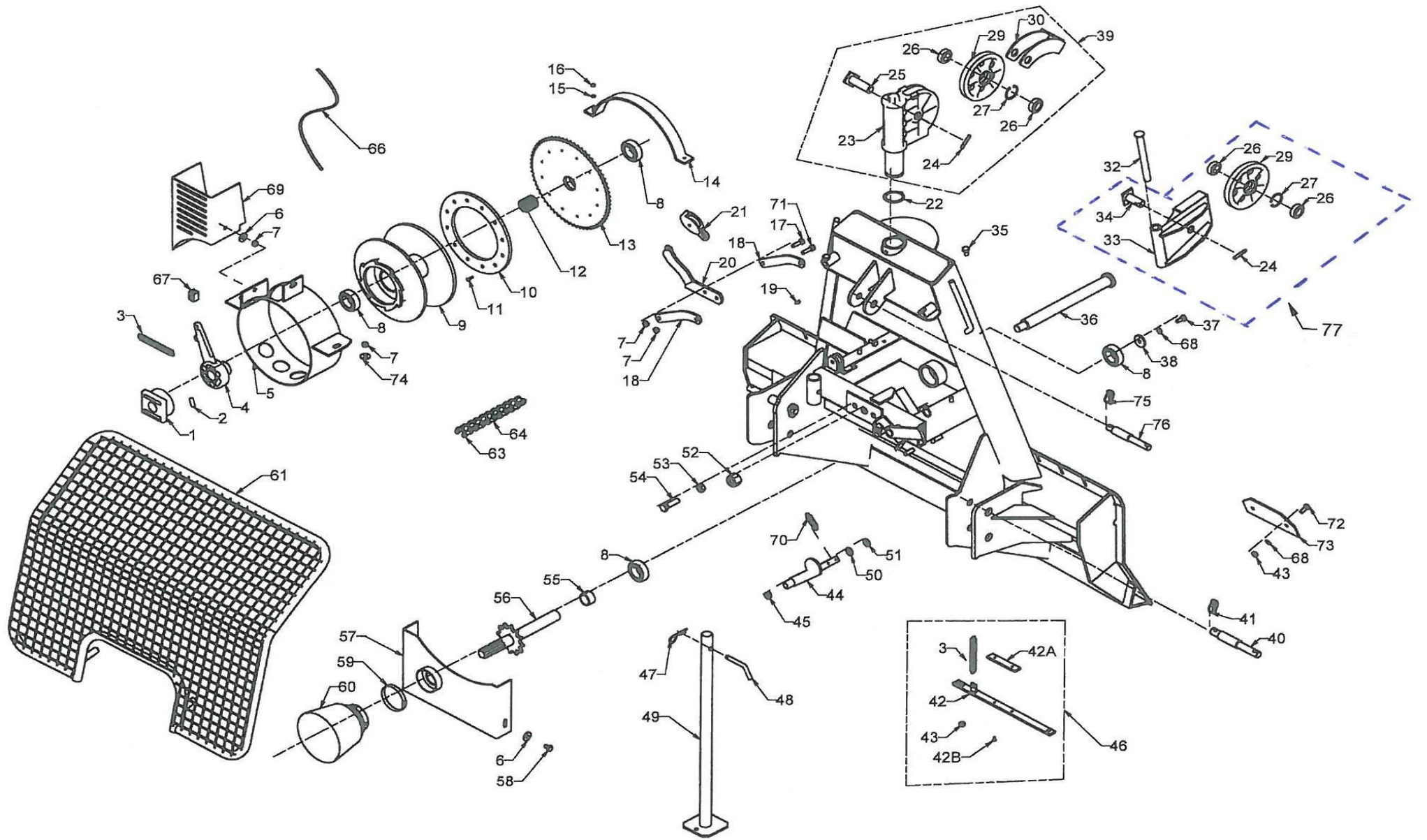
Fransgård

Reservedele
Resevdelar
Spare parts
Ersatzteile
Pièces détachées
Varaosaluettelo
Refacciones

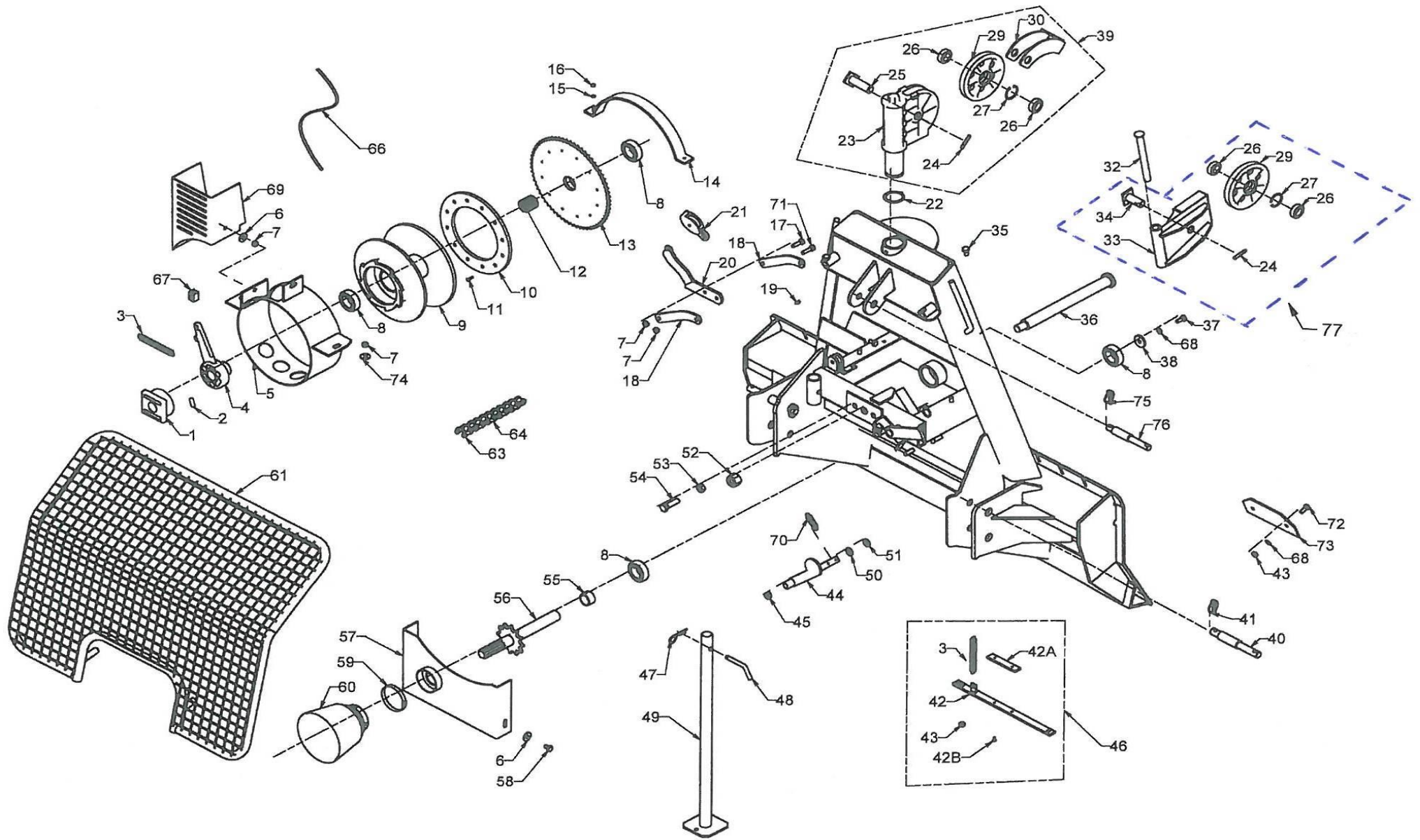


Skovspil
Tractor winch
Lunningvinsj
Vinsj
Seilwinde
Treuil
Juontovinssit
Cabrestante forestal

V-5000



| Nr. No. Nr. No. | Vare nr. Part no. Teil Nr. No.de pièce | Antal Quantity Anzahl Nombre | Beskrivelse | Description | Bezeichnung | Désignation | Bemærkninger Remarks Bemerkung Remarques |
|--------------------------|---|---------------------------------------|--------------------|-----------------------|-------------|---------------------------------|---|
| 1 | 15502 | 1 | Koblingseskål | Clutch | | Embrayage | |
| 2 | 15503 | 3 | Nagle | Pin | | Rivet | |
| 3 | 15539 | 2 | Trækfjeder | Spring | | Pression | |
| 4 | 15504 | 1 | Koblingsarm | Clutch | | Embrayage | |
| 5 | 15507 | 1 | Besk. ramme | Guard frame | | Protection de châssis | |
| 6 | 740600030 | 6 | Skive | Disk | | Bague | 11x22x2,0 mm. FZB |
| 7 | 740420010 | 7 | Låsemøtrik | Lock nut | | Ecrou de freinage | M10 FZB |
| 8 | 1162072 | 7 | Kugleleje | Ball bearing | | Roulement à billes | 6207 2RS |
| 9 | 15508 | 1 | Wiretromle | Wire roll | | Roleau de fil métallique | |
| 10 | 15509 | 1 | Koblingsbelægning | Clutch lining | | Garniture dembravage | |
| 11 | 741170650 | 12 | Kobbernitte | Copper pin | | Cheville | 5x20 mm. |
| 12 | 15557 | 1 | Trykfjeder | Spring | | Pression | 35 mm. |
| 13 | 15511 | 1 | Kædehjul | Chain wheel | | Rue de chaîne | 5/8"-65 Z |
| 14 | 15512 | 1 | Skærm | Cover | | Couvercle | |
| 15 | 740730005 | 2 | Skive | Disk | | Bague | 6,5x22x2,0mm. FZB |
| 16 | 740320006 | 2 | Møtrik | Nut | | Ecrou | M6 - 6 kt. FZB |
| 17 | 740210320 | 3 | Stålbolt | Set screw | | Vis | M10x35 FZB |
| 18 | 15532 | 2 | Beslag | Bracket | | Patte de fixation | |
| 19 | 881500240 | 1 | Smørenippel | Grease nipple | | Graisser | M8x1,25 |
| 20 | 15733 | 1 | Beslag | Bracket | | Patte de fixation | |
| 21 | 15534 | 2 | Trisserulle enkelt | Pulley roll | | Roleau de poulie | |
| 22 | 741141055 | 1 | Låsering | Circlip | | Circlip | 55 mm. udv. |
| 23 | 15591 | 1 | Toprullebeslag | Top roll bracket | | Patte de fixation | Ø25 mm. |
| 24 | 741190225 | 2 | Spændstift | Tension spring pin | | Goupille de blocage | 8x50 mm. |
| 25 | 15592 | 1 | Bolt | Bolt | | Boulon | Ø25 mm. |
| 26 | 1160052 | 4 | Kugleleje | Ball bearing | | Roulement à billes | 6005 2RS |
| 27 | 741142042 | 2 | Låsering | Circlip | | Circlip | 47 mm Din 472 |
| 29 | 15593 | 2 | Toprulle | Top roll | | Roleau de sommet | |
| 30 | 15594 | 1 | Wirestyr | Wire control | | Câble d'acier patte de fixation | |
| 32 | 15631 | 1 | Bolt | Bolt | | Boulon | 24x205 mm. |
| 33 | 15695 | 1 | Midterrullebeslag | Bracket | | Patte de fixation | Ø25 mm. |
| 34 | 15596 | 1 | Bolt | Bolt | | Boulon | Ø25 mm. |
| 35 | 740080205 | 2 | Sætskrue | Seat screw | | Vis | M12x20 |
| 36 | 15715 | 1 | Aksel | Driveshaft | | Arbre horizontal | Ø35 mm. |
| 37 | 740080142 | 1 | Bolt (links) | Set screw (left hand) | | Boulon (liens fil) | M10x25 links |
| 38 | 15518 | 1 | Skive | Disk | | Bague | |
| 39 | 15597 | 1 | Toprulle komplet | Top roll, complete | | Roleau de sommet, cpl. | |



| Nr. No. Nr. No. | Vare nr. Part no. Teil Nr. No.de pièce | Antal Quantity Anzahl Nombre | Beskrivelse | Description | Bezeichnung | Désignation | Bemærkninger Remarks Bemerkung Remarques |
|--------------------------|---|---------------------------------------|-------------------|-----------------------|-------------|-----------------------|---|
| 40 | 15536 | 2 | Træktap | Hook | | Crochet | Kat. I/II, Ø22/28mm |
| 41 | 1210100 | 2 | Ringsplit | Cotter | | Goupille | 10 mm. |
| 42 | 15505 | 1 | Beslag | Bracket | | Patte de fixation | |
| 42A | 15506 | 1 | Belægning | Facing | | Garniture | |
| 42B | 741170600 | 2 | Kobberrørsnitte | Copper pin | | Cheville | 5x12 mm. |
| 43 | 740320010 | 4 | Møtrik | Nut | | Ecrou | M10 FZB |
| 44 | 15619 | 1 | Strammebeslag | Tightening-up fitting | | Garniture de tension | |
| 45 | 740420012 | 1 | Låsemøtrik | Lock nut | | Ecrou de freinage | M12 FZB |
| 46 | 15584 | 1 | Bremsebeslag kpl. | Brake bracket, cpl. | | Garniture, complete | |
| 47 | 1220035 | 1 | Hårnålesplit | Cotter | | Goupille | 3,5 mm. |
| 48 | 15558 | 1 | Bolt | Bolt | | Boulon | |
| 49 | 15759 | 1 | Støtteben | Support | | Support | 880 mm.←15700046 |
| 49 | 15760 | 1 | Støtteben | Support | | Square Support | 880 mm. 15700047→ |
| 50 | 740600038 | 2 | Skive | Disk | | Bague | 13x30x2,0 mm. FZB |
| 51 | 740600076 | 1 | Skive | Disk | | Bague | 13x30x6,0 mm. FZB |
| 52 | 740400045 | 1 | Låsemøtrik | Lock nut | | Ecrou de freinage | 1" UNC FZB |
| 53 | 740320016 | 2 | Møtrik | Nut | | Ecrou | M16 - 6 kt. FZB |
| 54 | 740210560 | 2 | Stålbolt | Set screw | | Vis | M16x50 mm. FZB |
| 55 | 15553 | 1 | Afstandsøsning | Distance sleeve | | Douille entretoise | |
| 56 | 15617 | 1 | Aksel | Drive shaft | | Arbre horizontal | 5/8"x16 Z |
| 57 | 15616 | 1 | Skærm | Cover | | Couvercle | |
| 58 | 740210302 | 2 | Stålbolt | Set screw | | Vis | M10x16 mm. FZB |
| 59 | 40257 | 1 | Spændebånd | Clip band | | Collier de serrage | ABA 77-95 mm. |
| 60 | 1418210 | 1 | PTO skærm, rund | PTO-cover | | PTO-capot | |
| 61 | 15875 | 1 | Besk. gitter | Guard | | Châssis de protection | |
| 63 | 1511125 | 1 | Samleled | Assembly joint | | Jointure d'ajustage | 5/8" ASA 50 Heavy |
| 64 | 17090 | 1 | Kæde 1,20 Mtr | Chain | | Chaîne | 5/8" ASA 50 Heavy |
| 66 | 15537 | 1 | Nylon snor grøn | String | | Cordon | 8 mm. 6 mtr. |
| 67 | 15587 | 1 | Wirelås | Locking wedge | | Clavette de blocage | |
| 68 | 740750030 | 2 | Fjederskive | Spring washer | | Rondelle élastique | 10,2 mm. FZB |
| 69 | 15586 | 1 | Skærm | Cover | | Couvercle | |
| 70 | 15541 | 2 | Trækfjeder | Spring | | Pression | |
| 71 | 740210325 | 1 | Stålbolt | Set screw | | Vis | M10x40 mm. FZB |
| 72 | 740210310 | 2 | Stålbolt | Set screw | | Vis | M10x25 mm. FZB |
| 73 | 15598 | 1 | Skærm | Cover | | Couvercle | |
| 74 | 740630020 | 2 | Skærmskive | Disk | | Bague | 11x30x2,0 mm. FZB |
| 75 | 1210080 | 1 | Ringsplit | Cotter | | Goupille | 8 mm. |
| 76 | 18006 | 1 | Topstangsbolt | Top Link Bolt | | Boulon pour haut | Cat. I & II |
| 77 | 15695K | 1 | Midtrulle kpl. | Roll cpl. | | Roleau, complete | |

