

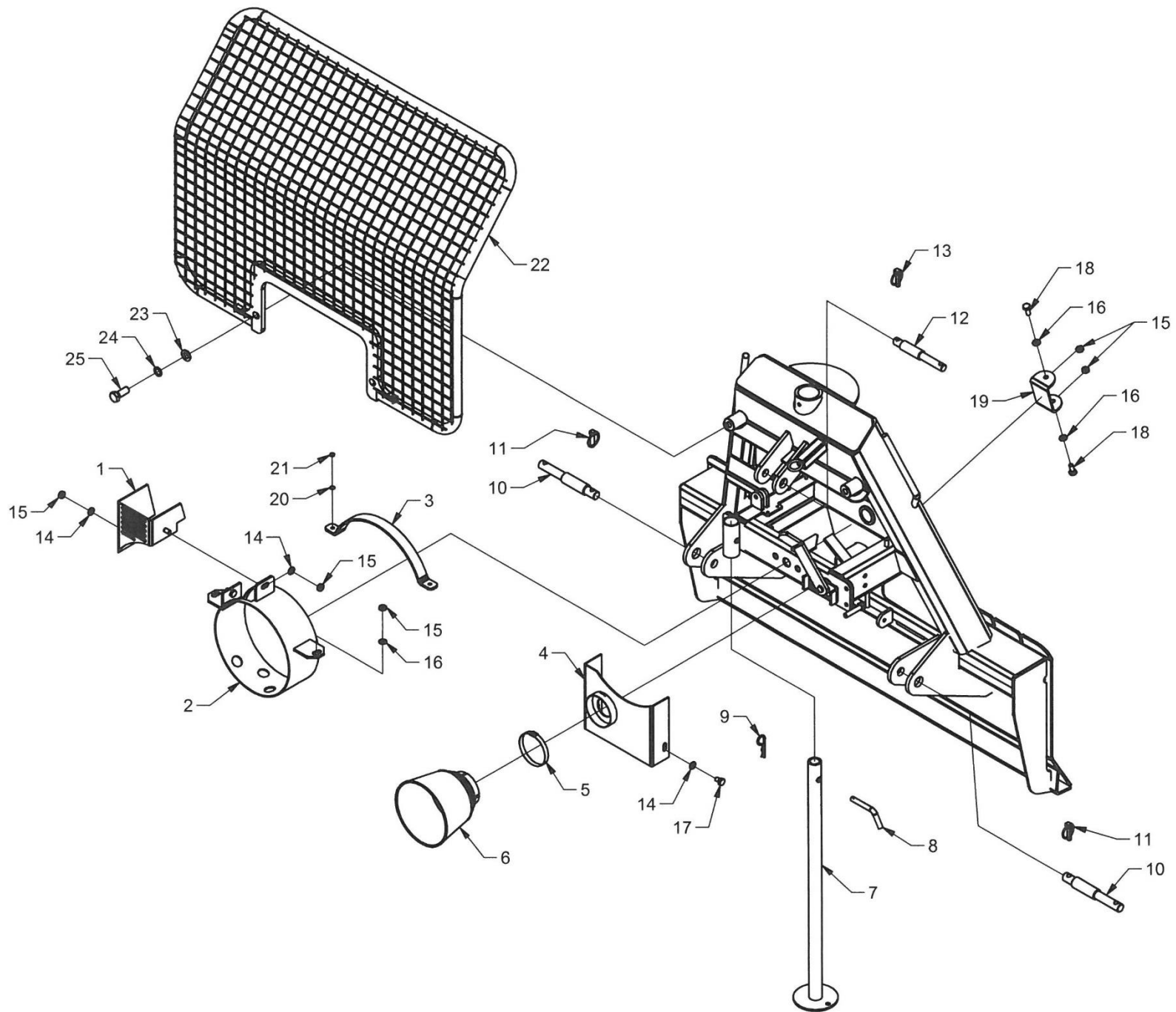
Fransgård

Reservedele
Resevdelar
Spare parts
Reservdelar
Ersatzteile
Pièces détachées
Varaosaluettelo

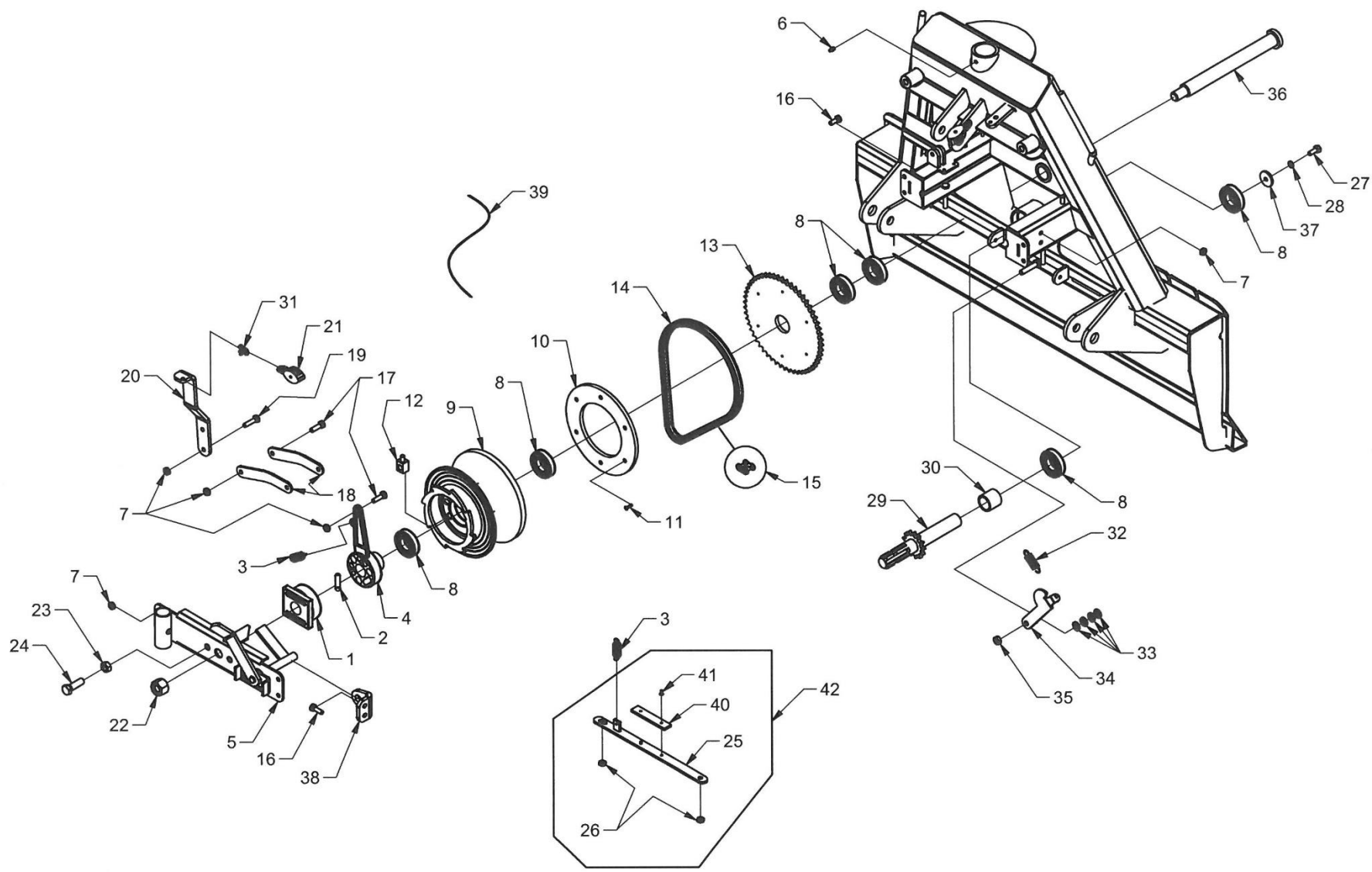


Skovspil
Tractor winch
Lunningvinsj
Vinsj
Seilwinde
Treuil
Juontovinssit

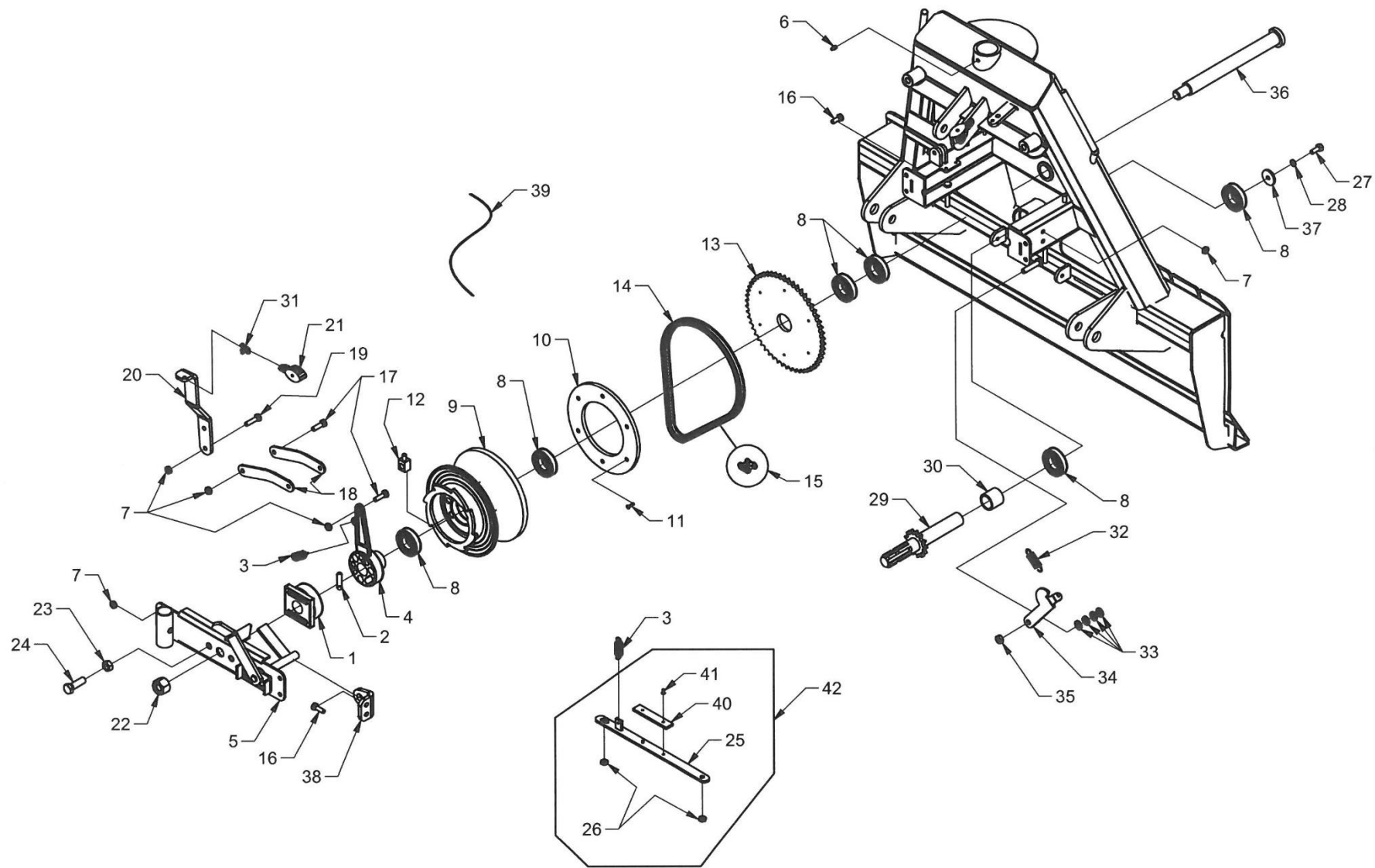
V-3021
V-3521



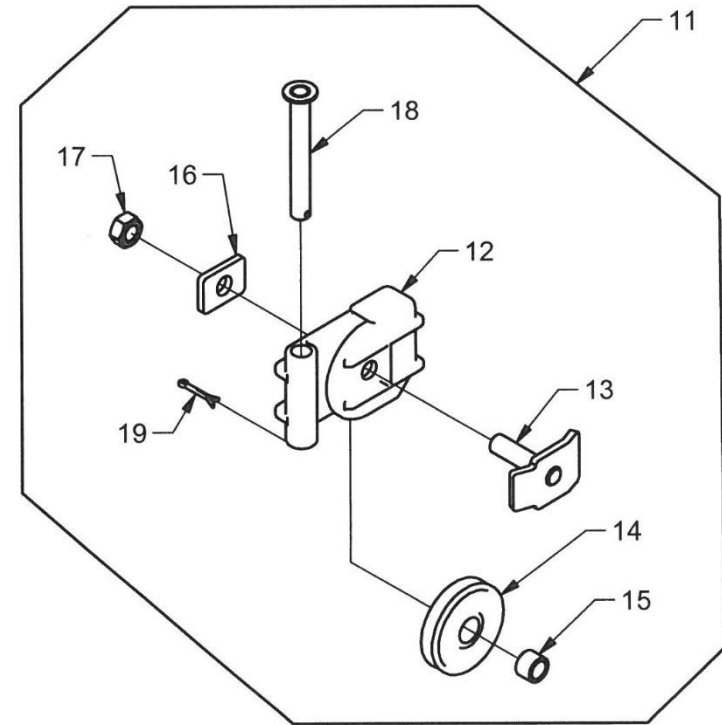
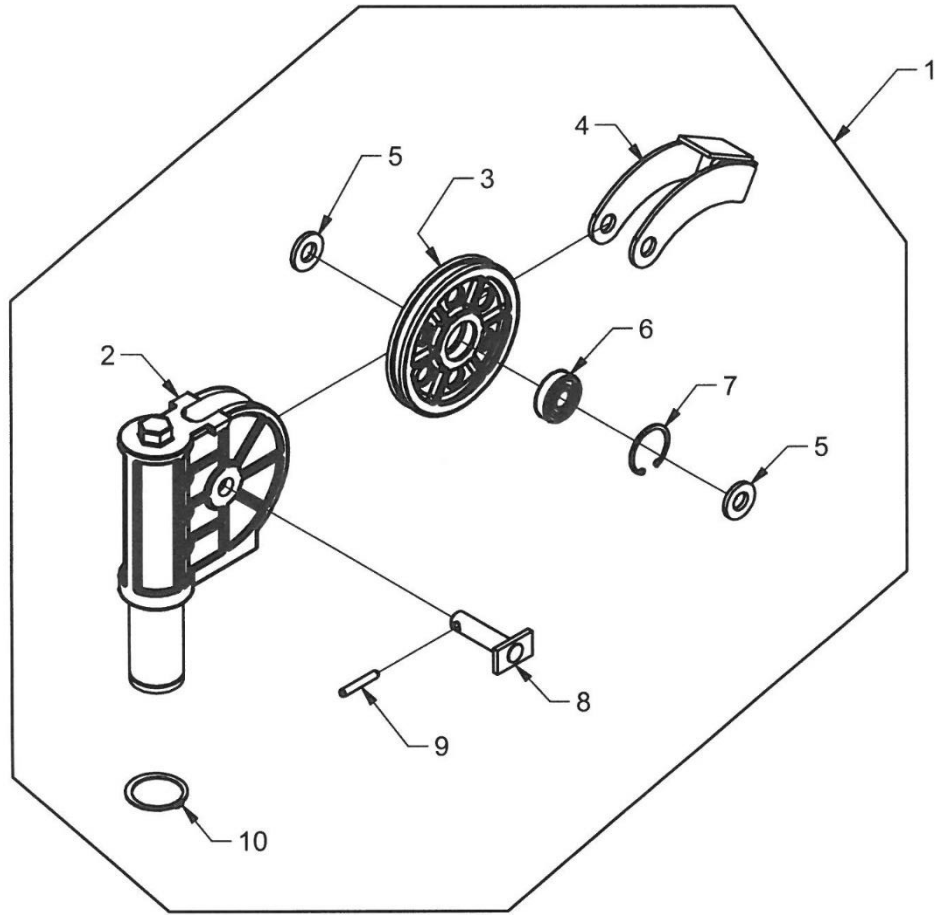
| Nr. No. Nr. No. | Varenr. Part no. Teil Nr. No.de pièce | Antal Quantity Anzahl Nombre | Beskrivelse | Desceiption | Bezeichnung | Designation | Bemærkninger Remarks Bemerkung Remarques |
|--------------------------|--|---------------------------------------|-------------------|---------------|-------------------|-----------------------|---|
| 1 | 15254 | 1 | Skærm | Cover | Deckel | Couvercle | |
| 2 | 15207 | 1 | Beskyttelsesramme | Guard frame | Schutzrahmen | Protection de châssis | |
| 3 | 15212 | 1 | Skærm | Cover | Deckel | Couvercle | |
| 4 | 15216 | 1 | Skærm | Cover | Deckel | Couvercle | |
| 5 | 40257 | 1 | Spændebånd | Clip band | Spannband | Collier de serrage | ABA 77-95 mm. |
| 6 | 1418210 | 1 | PTO-skærm | PTO-cover | PTO-Deckel | PTO-capot | |
| 7 | 15661 | 1 | Støtteben | Support | Stützbein | Support | 635 mm. V-3021 |
| 7 | 15559 | 1 | Støtteben | Support | Stützbein | Support | 735 mm. V-3521 |
| 8 | 15558 | 1 | Bolt | Bolt | Bolzen | Boulon | |
| 9 | 1220035 | 1 | Hårnålesplit | Cotter | Splint | Goupille | 3,5 mm. |
| 10 | 15536 | 2 | Træktap | Hook | Haken | Crochet | |
| 11 | 1210100 | 2 | Traktorsplit | Cotter | Splint | Goupille | 10 mm. |
| 12 | 18006 | 1 | Bolt for topstang | Top Link Bolt | Oberlenker Bolzen | Boulon pour haut | |
| 13 | 1210080 | 1 | Traktorsplit | Cotter | Splint | Goupille | 8 mm. |
| 14 | 740600030 | 4 | Skive | Disk | Scheibe | Bague | 11x22x2,0 mm. FZB |
| 15 | 740420010 | 6 | Låsemøtrik | Lock nut | Gegenmutter | Ecrou de freinage | M10 FZB |
| 16 | 740600026 | 4 | Skive | Disk | Scheibe | Bague | 11x30x2,0 mm. FZB |
| 17 | 740210302 | 2 | Sætskrue | Set screw | Schraube | Vis | M10x16 mm. FZB |
| 18 | 740210310 | 2 | Sætskrue | Set screw | Schraube | Vis | M10x25 mm. FZB |
| 19 | 15262 | 1 | Skærm | Cover | Deckel | Couvercle | |
| 20 | 740730005 | 2 | Skive | Disk | Scheibe | Bague | 6,5x22x2,0mm. FZB |
| 21 | 740390006 | 2 | Møtrik | Nut | Mutter | Ecrou | M6 - 6 kt. FZB |
| 22 | 15575 | 1 | Beskyttelsesramme | Guard | Schutzgitter | Châssis de protection | |
| 23 | 740600039 | 2 | Skive | Disk | Scheibe | Bague | 17x30x2,0 mm. FZB |
| 24 | 740760040 | 2 | Tandskive | Disk | Scheibe | Bague | 16,5mm. |
| 25 | 740210545 | 2 | Sætskrue | Set screw | Schraube | Vis | M16x35 mm. FZB |



| Nr. No. Nr. No. | Varenr. Part no. Teil Nr. No.de pièce | Antal Quantity Anzahl Nombre | Beskrivelse | Description | Bezeichnung | Designation | Bemærkninger Remarks Bemerkung Remarques |
|--------------------------|--|---------------------------------------|------------------------|-----------------------|------------------|--------------------------|---|
| 1 | 15502 | 1 | Kobling | Clutch | Kupplung | Embrayage | |
| 2 | 15503 | 3 | Nagle | Pin | Bolzen | Rivet | |
| 3 | 15539 | 2 | Fjeder | Spring | Feder | Pression | |
| 4 | 15504 | 1 | Koblingsarm | Clutch | Kupplung | Embrayage | |
| 5 | 15275 | 1 | Beslag | Bracket | Halter | Patte de fixation | |
| 6 | 881500240 | 1 | Smørenippel | Grease nipple | Schmiernippel | Graisneur | M8x1,25 |
| 7 | 740420010 | 9 | Låsemøtrik | Lock nut | Gegenmutter | Ecrou de freinage | M10 FZB |
| 8 | 1162072 | 6 | Kugleleje | Ball bearing | Kugellager | Roulement à billes | 6207 2RS |
| 9 | 15208 | 1 | Wiretrommel | Wire roll | Drahttrommel | Roleau de fil métallique | |
| 10 | 15209 | 1 | Koblingsbelægning | Clutch lining | Kupplingsbelag | Garniture dembravage | |
| 11 | 741170650 | 6 | Kobberrnitte | Copper pin | Kupfer bolzen | Cheville | 5x20 mm. |
| 12 | 15587 | 1 | Lås m/unbrakobolt | Locking wedge | Riegelkeil | Clavette de blocage | |
| 13 | 15211 | 1 | Kædehjul | Chain wheel | Kettenrad | Rue de chaîne | 5/8"-54 Z |
| 14 | 15210 | 1 | Kæde incl forkrøbbeled | Chain | Kette | Chaîne | 5/8" RS50 - 1,05 mtr. |
| 15 | 1511120 | 1 | Samleled, lige | Assembly joint | Sammelglied | Jointure d'ajustage | 5/8" RS50 |
| 15 | 1512110 | 1 | Samleled, forkrøbbet | Assembly joint | Sammelglied | Jointure d'ajustage | 5/8" RS50 |
| 16 | 740210315 | 6 | Sætskrue | Set screw | Schraube | Vis | M10x30 FZB |
| 17 | 740210320 | 2 | Sætskrue | Set screw | Schraube | Vis | M10x35 FZB |
| 18 | 15232 | 2 | Beslag | Bracket | Halter | Patte de fixation | |
| 19 | 740210325 | 1 | Sætskrue | Set screw | Schraube | Vis | M10x40 mm. FZB |
| 20 | 15263 | 1 | Beslag | Bracket | Halter | Patte de fixation | |
| 21 | 15534 | 1 | Trisserulle | Pulley roll | Rolle | Roleau de poulie | |
| 22 | 740400045 | 1 | Låsemøtrik | Lock nut | Gegenmutter | Ecrou de freinage | 1" UNC FZB |
| 23 | 740390016 | 2 | Møtrik | Nut | Mutter | Ecrou | M16 - 6 kt. FZB |
| 24 | 740210560 | 2 | Sætskrue | Set screw | Schraube | Vis | M16x50 mm. FZB |
| 25 | 15204 | 1 | Beslag | Bracket | Halter | Patte de fixation | |
| 26 | 740390010 | 2 | Møtrik | Nut | Mutter | Ecrou | M10 FZB |
| 27 | 740080142 | 1 | Sætskrue (links) | Set screw (left hand) | Schraube (Links) | Boulun (liens fil) | M10x25 links |
| 28 | 740750030 | 1 | Fjederskive | Spring washer | Federscheibe | Rondelle élastique | 10,2 mm. FZB |
| 29 | 15217 | 1 | Aksel med kædehjul | Drive shaft | Horizontalwelle | Arbre horizontal | 5/8"x16 Z |



| Nr. | Vare nr. | Antal | | | | | Bemærkninger |
|-----|-------------|----------|-----------------------|-----------------------|-------------------------|----------------------|-------------------|
| No. | Part no. | Quantity | | | | | Remarks |
| Nr. | Teil Nr. | Anzahl | | | | | Bemerkung |
| No. | No.de pièce | Nombre | Beskrivelse | Description | Bezeichnung | Désignation | Remarques |
| 30 | 15253 | 1 | Afstandsøsning | Distance sleeve | Abstandhalter | Douille entretoise | 5/4" 41mm |
| 31 | 713300010 | 1 | Sjækkel | Assembly joint | | Jointure d'ajustage | 1/4" |
| 32 | 15541 | 2 | Fjeder | Spring | Feder | Pression | |
| 33 | 740600038 | 4 | Skive | Disk | Scheibe | Bague | 13x30x2,0 mm. FZB |
| 34 | 15219 | 1 | Strammebeslag | Tightening-up fitting | Spannbeschlag | Garniture de tension | |
| 35 | 740420012 | 1 | Låsemøtrik | Lock nut | Gegenmutter | Ecrou de freinage | M12 FZB |
| 36 | 15215 | 1 | Aksel | Driveshaft | Horizontalwelle | Arbre horizontal | Ø35 mm. 375 mm. |
| 37 | 15518 | 1 | Skive | Disk | Scheibe | Bague | |
| 38 | 15514 | 1 | beslag til palbremse | Bracket | Halter | Patte de fixation | |
| 39 | 15537 | 1 | Nylonsnor | String | Draht | Cordon | 8 mm. 6 mtr. |
| 40 | 15506 | 1 | Belægning | Facing | Belag | Garniture | |
| 41 | 741170600 | 2 | Kobberrnitte | Copper pin | Kupfer Bolzen | Cheville | 5x12 mm. |
| 40 | 15205 | 1 | Bremsebeslag, komplet | Brake bracket, cpl. | Bremsbeschlag, komplett | Garniture, complete | |



| Nr. | Varenr. | Antal | | | | | Bemærkninger |
|-----|-------------|----------|------------------|--------------------|-----------------------|------------------------------------|--------------|
| No. | Part no. | Quantity | | | | | Remarks |
| Nr. | Teil Nr. | Anzahl | | | | | Bemerkung |
| No. | No.de pièce | Nombre | Beskrivelse | Description | Bezeichnung | Designation | Remarques |
| 1 | 15683 | 1 | Toprulle komplet | Top roll, complete | Gipfelrolle, komplett | Roleau de sommet, cpl. | |
| 2 | 15629 | 1 | Toprullebeslag | Top roll bracket | Gipfelrollenhalter | Patte de fixation pour | |
| 3 | 15529 | 1 | Toprulle | Top roll | Gipfelrolle | Roleau de sommet | |
| 4 | 15630 | 2 | Wirestyr | Wire control | Stahltrasse steuer | Câble d'acier patte de fixation | |
| 5 | 15530 | 1 | Skive | Disc | Scheibe | Bague | |
| 6 | 1163042 | 1 | Kugleleje | Ball bearing | Kugellager | Roulement à billes | 6304-2RS |
| 7 | 741142052 | 1 | Låsering | Circlip | Seegering | Circlip | 52 mm inside |
| 8 | 15628 | 1 | Bolt | Bolt | Bolzen | Boulon | |
| 9 | 741190225 | 1 | Spændstift | Tension spring pin | Spannstift | Goupille de blocage | 8x50mm |
| 10 | 741141055 | 1 | Låsering | Circlip | Seegering | Circlip | 55mm outside |

Tilbehør / Optional equipment / Zubehör / Equipment en option

| | | | | | | | |
|----|-----------|---|-------------------|---------------|-----------------|-------------------|-------|
| 11 | 1593 | 1 | Bundrulle komplet | Roll Complete | Rolle, komplett | Roleau cpl. | |
| 12 | 15523 | 1 | Beslag | Bracket | Rollenhalter | Patte de fixation | |
| 13 | 15543 | 1 | Bolt | Bolt | Bolzen | Boulon | |
| 14 | 15525 | 1 | Wirerulle | Wire roll | Seil Rolle | Roleau | |
| 15 | 15526 | 1 | Bronzebøsning | Bronze sleeve | Buchse | Douille | |
| 16 | 15544 | 1 | Beslag | Bracket | Beschlag | Patte de fixation | |
| 17 | 740420020 | 1 | Låsemøtrik | Locknut | Gegenmutter | Ecrou de freinage | M20 |
| 18 | 15521 | 1 | Bolt | Bolt | Bolzen | Boulon | |
| 19 | 741180221 | 1 | Split | Split | Splitt | | M5x40 |

