

Fransgård

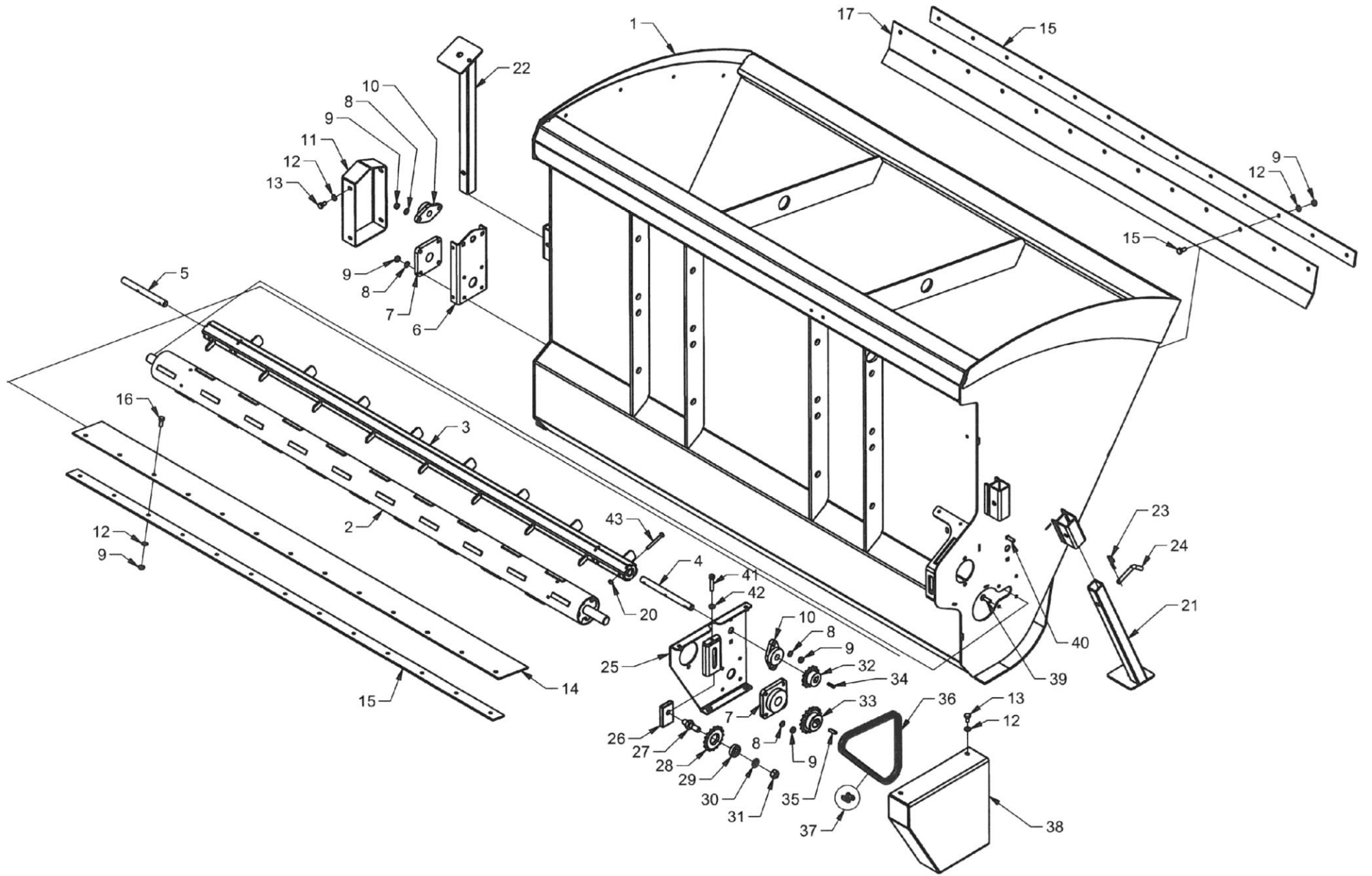
Reservedele
Reservdelar
Spare parts
Ersatzteile
Pièces détachées
Varaosaluettelo



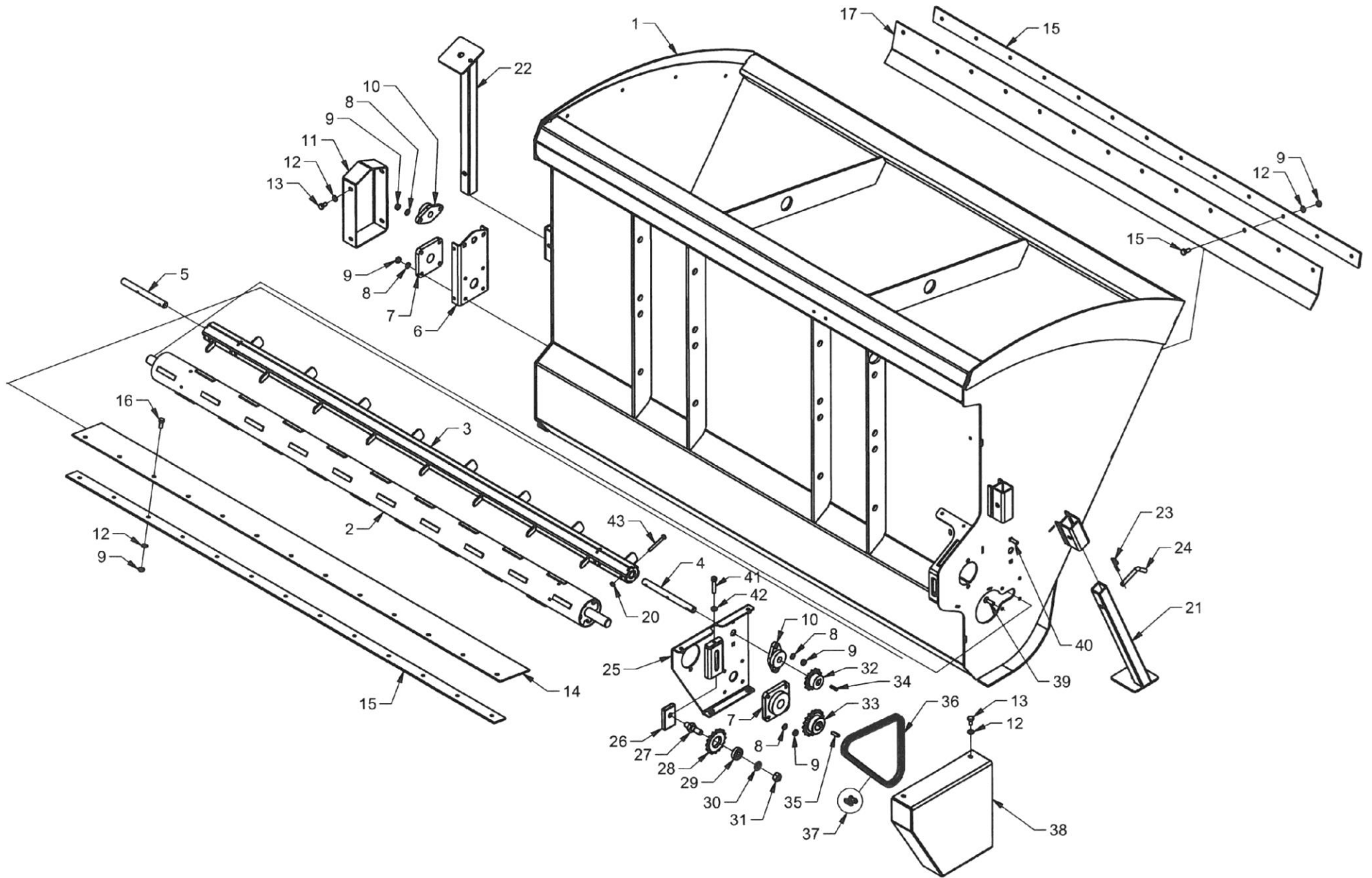
Sandspreder
Sandstrøer
Sandspridare
Sand spreader
Sandstreuer
Épandeur de sable
Hiekoitin

FSK-400
FSK-800
FSK-1000
FSK-1500

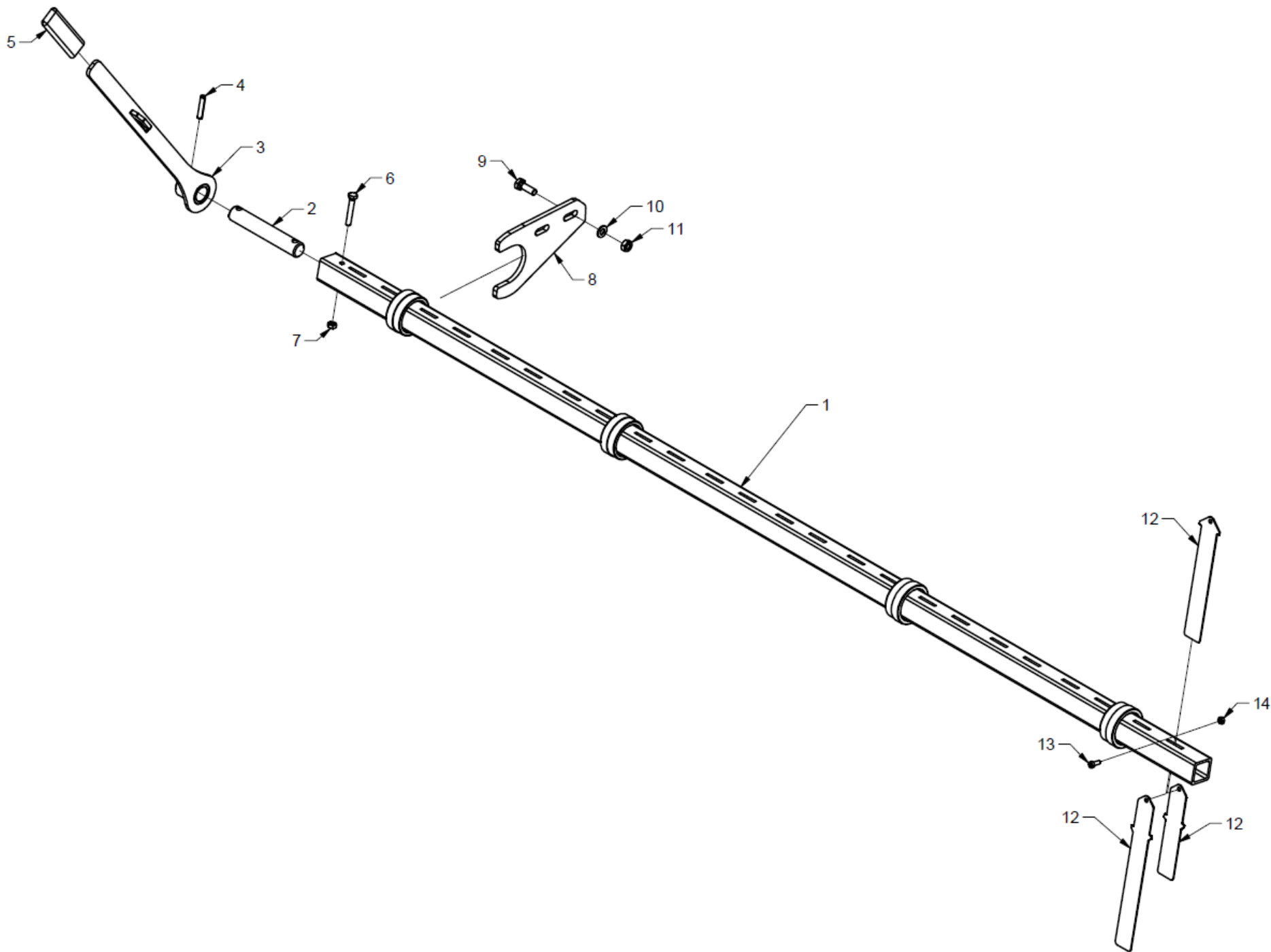
Serie nr. 29300001
Serie nr. 29400001
Serie nr. 29500001
Serie nr. 29600001



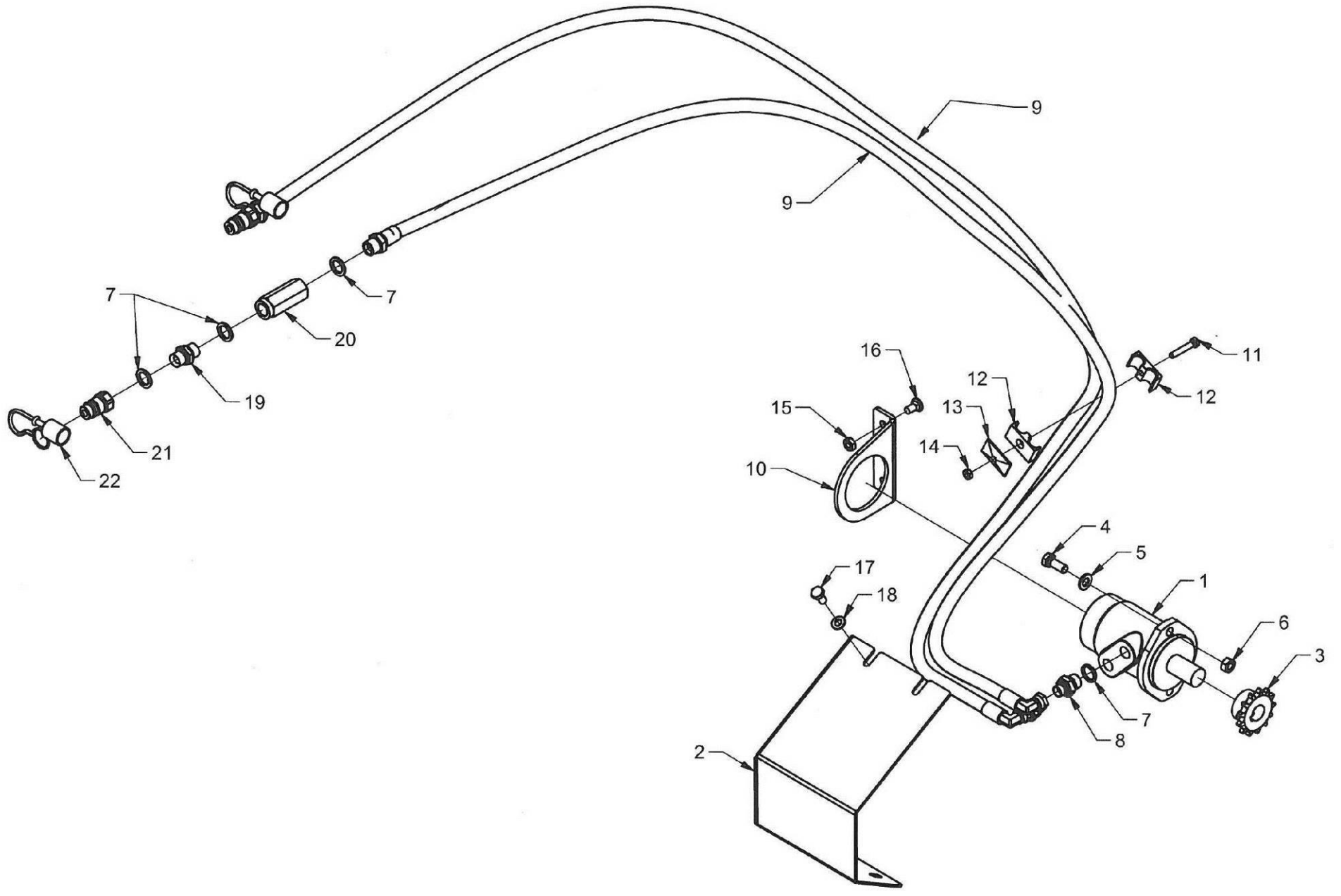
| Nr. No. Nr. No. | Varenr. Part no. Teil Nr. No. de pièce | Antal Quantity Anzahl Nombre | Beskrivelse | Description | Bezeichnung | Désignation | Bemærkninger Remarks Bemerkung Remarques |
|--------------------------|---|---------------------------------------|-----------------------|-----------------------|---------------------|---------------------|---|
| 1 | 29300 | 1 | Kasse for sandspreder | Box for sand spreader | Box für Sandstreuer | Boite de sable | FSK-400 |
| 1 | 29400 | 1 | Kasse for sandspreder | Box for sand spreader | Box für Sandstreuer | Boite de sable | FSK-800 |
| 1 | 29500 | 1 | Kasse for sandspreder | Box for sand spreader | Box für Sandstreuer | Boite de sable | FSK-1000 |
| 1 | 29600 | 1 | Kasse for sandspreder | Box for sand spreader | Box für Sandstreuer | Boite de sable | FSK-1500 |
| 2 | 29302 | 1 | Spredevalse | Spreading roller | Streuwalze | Rouleau d'étalement | FSK-400 |
| 2 | 29402 | 1 | Spredevalse | Spreading roller | Streuwalze | Rouleau d'étalement | FSK-800 |
| 2 | 29502 | 1 | Spredevalse | Spreading roller | Streuwalze | Rouleau d'étalement | FSK-1000 |
| 2 | 29602 | 1 | Spredevalse | Spreading roller | Streuwalze | Rouleau d'étalement | FSK-1500 |
| 3 | 29301 | 1 | Omrører | Roller | Walze | Rouleau | FSK-400 |
| 3 | 29401 | 1 | Omrører | Roller | Walze | Rouleau | FSK-800 |
| 3 | 29501 | 1 | Omrører | Roller | Walze | Rouleau | FSK-1000 |
| 3 | 29601 | 1 | Omrører | Roller | Walze | Rouleau | FSK-1500 |
| 4 | 29506 | 1 | Aksel | Shaft | Welle | Arbre | Ø20x235mm |
| 5 | 29505 | 1 | Aksel | Shaft | Welle | Arbre | Ø20x200mm |
| 6 | 29510 | 1 | Beslag | Bracket | Beschlag | Garniture | |
| 7 | 28212 | 2 | Flangeleje | Flange bearing | Flanschlager | Palier | UCF 206 |
| 8 | 740720010 | 12 | Planskive | Washer | Scheibe | Rondelle | 10mm DIN125A FZB |
| 9 | 740420010 | 32 | Låsemøtrik | Lock nut | Gegenmutter | Ecrou de freinage | M10 DIN 985-8 FZB |
| 10 | 28211 | 2 | Flangeleje | Flange bearing | Flanschlager | Palier | UCFL 204 |
| 11 | 29511 | 1 | Skærm | Cover | Deckel | Couvercle | |
| 12 | 740600030 | 34 | Skive | Washer | Scheibe | Rondelle | 11x22x2,0 FZB |
| 13 | 740210305 | 8 | Maskinbolt | Bolt | Bolzen | Boulon | M10x20mm |
| 14 | 29315 | 1 | Gummilærred | Rubber | Gummiband | Caoutchouc | Roply 140x1195mm |
| 14 | 29415 | 1 | Gummilærred | Rubber | Gummiband | Caoutchouc | Roply 140x1495mm |
| 14 | 29515 | 1 | Gummilærred | Rubber | Gummiband | Caoutchouc | Roply 140x1995mm |
| 14 | 29615 | 1 | Gummilærred | Rubber | Gummiband | Caoutchouc | Roply 140x2295mm |
| 15 | 29313 | 2 | Beslag | Bracket | Beschlag | Garniture | FSK-400 |
| 15 | 29413 | 2 | Beslag | Bracket | Beschlag | Garniture | FSK-800 |
| 15 | 29513 | 2 | Beslag | Bracket | Beschlag | Garniture | FSK-1000 |
| 15 | 29613 | 2 | Beslag | Bracket | Beschlag | Garniture | FSK-1500 |
| 16 | 740210310 | 26 | Maskinbolt | Bolt | Bolzen | Boulon | M10x25mm |
| 17 | 29314 | 1 | Gummilærred | Rubber | Gummiband | Caoutchouc | Roply 159x1195mm |
| 17 | 29414 | 1 | Gummilærred | Rubber | Gummiband | Caoutchouc | Roply 159x1495mm |
| 17 | 29514 | 1 | Gummilærred | Rubber | Gummiband | Caoutchouc | Roply 159x1995mm |
| 17 | 29614 | 1 | Gummilærred | Rubber | Gummiband | Caoutchouc | Roply 159x2295mm |



| Nr. No. Nr. No. | Varenr. Part no. Teil Nr. No. de pièce | Antal Quantity Anzahl Nombre | Beskrivelse | Description | Bezeichnung | Désignation | Bemærkninger Remarks Bemerkung Remarques |
|--------------------------|---|---------------------------------------|--------------------|--------------------|------------------------|--------------------------|---|
| 21 | 29519 | 1 | Støtteben, højre | Support leg, right | Stützbein, Rechts | La jambe d'appui, Droite | FSK-400/800/1000 |
| 21 | 29619 | 1 | Støtteben, højre | Support leg, right | Stützbein, Rechts | La jambe d'appui, Droite | FSK-1500 |
| 22 | 29520 | 1 | Støtteben, venstre | Support leg, left | Stützbein, Links | La jambe d'appui, Gauche | FSK-400/800/1000 |
| 22 | 29620 | 1 | Støtteben, venstre | Support leg, left | Stützbein, Links | La jambe d'appui, Gauche | FSK-1500 |
| 23 | 1220035 | 2 | Hårnålesplit | Cotter | Splint | Diviser | 3,5mm |
| 24 | 15558 | 2 | Nagle | Pin | Bolzen | Boulon | FSK-400/800/1000 |
| 24 | 15558 | 2 | Nagle | Pin | Bolzen | Boulon | FSK-1500 |
| 25 | 29512 | 1 | Beslag | Bracket | Beschlag | Garniture | |
| 26 | 29516 | 1 | Låsebeslag | Lock bracket | Verschlußbeschlag | Serrures | |
| 27 | 28835 | 1 | Bolt | Bolt | Bolzen | Boulon | |
| 28 | 29523 | 1 | Pladekædehjul | Plate wheel | Plattenrad | Roue de plaque | Z1610B1-ø40 |
| 29 | 1162032 | 1 | Sporkugleleje | Ball bearing | Kugellager | Roulement á billes | 6203 2RS |
| 30 | 740600041 | 1 | Skive | Washer | Scheibe | Rondelle | 17x35x3mm |
| 31 | 740420016 | 1 | Låsemøtrik | Lock nut | Gegenmutter | Ecrou de freinage | M16 DIN 985-8 FZB |
| 32 | 28207 | 1 | Navkædehjul | Sprocket wheel | Kettenrad | Pignon | Z1310B1-ø20 |
| 33 | 28209 | 1 | Navkædehjul | Sprocket wheel | Kettenrad | Pignon | Z1710B1-ø30 |
| 34 | 28206 | 1 | Pasfeder | Flat key | Paßfeder | Clavette | A 6x6x30mm |
| 35 | 42445 | 1 | Pasfeder | Flat key | Paßfeder | Clavette | A 8x7x30mm |
| 36 | 29524 | 1 | Kæde | Chain | Kette | Catena | 5/8", L = 985mm |
| 37 | 1511125 | 1 | Samleled, kæde | Ass. joint | Sammenglied | Parte | 5/8" |
| 38 | 29509 | 1 | Skærm | Cover | Deckel | Couvercle | |
| 39 | 10005 | 8 | Unbrakobolt | Socket bolt | Innensechskantschraube | Vis Allen Boulon | M10x35mm DIN 7991 FZB |
| 40 | 740150240 | 4 | Brædebolt | Carriage bolt | Schraube | Boulon de carrosserie | M10x40mm DIN 603 FZB |
| 41 | 740990455 | 1 | Unbrakobolt | Socket bolt | Innensechskantschraube | Vis Allen Boulon | M10x60mm DIN 912 FZB |
| 42 | 740390010 | 1 | Møtrik | Nut | Mutter | Écrou | M10 |
| 43 | 740211235 | 4 | Maskinbolt | Bolt | Bolzen | Boulon | M8x70mm FZB |

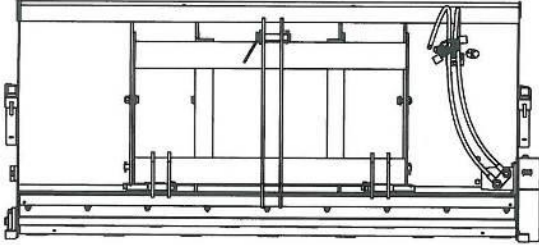


| Nr. No. Nr. No. | Varenr. Part no. Teil Nr. No.de pièce | Antal Quantity Anzahl Nombre | Beskrivelse | Description | Bezeichnung | Désignation | Bemærkninger Remarks Bemerkung Remarques |
|--------------------------|--|---------------------------------------|------------------|------------------|---------------|-----------------------|---|
| 1 | 29304 | 1 | Monteringsprofil | Mounting profile | Montageprofil | Profilé de montage | FSK-400 |
| 1 | 29404 | 1 | Monteringsprofil | Mounting profile | Montageprofil | Profilé de montage | FSK-800 |
| 1 | 29504 | 1 | Monteringsprofil | Mounting profile | Montageprofil | Profilé de montage | FSK-1000 |
| 1 | 29604 | 1 | Monteringsprofil | Mounting profile | Montageprofil | Profilé de montage | FSK-1500 |
| 2 | 29507 | 1 | Aksel | Driveshaft | Antriebswelle | Arbre de transmission | Ø25x150mm |
| 3 | 29518 | 1 | Håndtag | Handles | Handgriff | Poignées | |
| 4 | 741190213 | 1 | Spændstift | Cotter | Splint | Goupille | 8x40mm FZB |
| 5 | 47033 | 1 | Gummihåndtag | Rubber handle | Gummigriff | Poignée en caoutchouc | |
| 6 | 740211215 | 1 | Maskinbolt | Bolt | Bolzen | Boulon | M8x50mm FZB |
| 7 | 740420008 | 1 | Låsemøtrik | Lock nut | Gegenmutter | Ecrou de freinage | M8 DIN 985-8 FZB |
| 8 | 29322 | 3 | Beslag | Bracket | Beschlag | Garniture | FSK-400 |
| 8 | 29522 | 4 | Beslag | Bracket | Beschlag | Garniture | FSK-1000/1500 |
| 9 | 740210315 | 8 | Maskinbolt | Bolt | Bolzen | Boulon | M10x30mm FZB |
| 10 | 740600030 | 8 | Skive | Washer | Scheibe | Rondelle | 11x22x2,0mm.FZB |
| 11 | 740420010 | 8 | Låsemøtrik | Lock nut | Gegenmutter | Ecrou de freinage | M10 DIN 985-8 FZB |
| 12 | 29503 | 24 | Bladfjeder | Spring | Blattfeder | Ressort à lames | |
| 13 | 841030120 | 24 | Unbrakobolt | Bolt | Bolzen | Boulon | M6x16mm A4 |
| 14 | 840420006 | 24 | Låsemøtrik | Lock nut | Gegenmutter | Ecrou de freinage | M6 A4 |

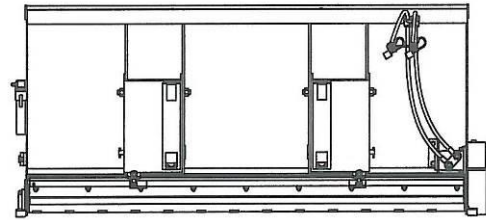


| Nr. No. Nr. No. | Varenr. Part no. Teil Nr. No.de pièce | Antal Quantity Anzahl Nombre | Beskrivelse | Description | Bezeichnung | Désignation | Bemærkninger Remarks Bemerkung Remarques |
|--------------------------|--|---------------------------------------|-----------------|-----------------|-------------------|-----------------------|---|
| 1 | 28210 | 1 | Hydraulikmotor | Hydraulic motor | Hydraulik Motor | Moteur hydraulique | |
| 2 | 29308 | 1 | Skærm | Cover | Deckel | Couvercle | FSK-400 |
| 2 | 29408 | 1 | Skærm | Cover | Deckel | Couverle | FSK-800 |
| 2 | 29508 | 1 | Skærm | Cover | Deckel | Couvercle | FSK-1000 / 1500 |
| 3 | 28208 | 1 | Navkædehjul | Sprocket wheel | Kettenrad | Pignon | Z1310B1-ø25 |
| 4 | 740210405 | 2 | Maskinbolt | Bolt | Bolzen | Boulon | M12x30mm FZB |
| 5 | 740600032 | 2 | Skive | Washer | Scheibe | Rondelle | 13x30x2mm FZB |
| 6 | 740420012 | 2 | Låsemøtrik | Lock nut | Gegenmutter | Ecrou de freinage | M12 DIN 985-8 FZB |
| 7 | 42415 | 5 | Pakning | Gasket | Dichtung | Joint | 1/2" |
| 8 | 28175 | 2 | Brystnippel | Nipple | Brustnippel | Mamelon | 1/2"-3/8" |
| 9 | 10518 | 2 | Hydraulikslange | Hydraulic hose | Hydraulikschlauch | Tuyau Hydraulique | 3/8"x2200mm FSK-400 |
| 9 | 57031 | 2 | Hydraulikslange | Hydraulic hose | Hydraulikschlauch | Tuyau Hydraulique | 3/8"x3050mm FSK-800 |
| 9 | 57031 | 2 | Hydraulikslange | Hydraulic hose | Hydraulikschlauch | Tuyau Hydraulique | 3/8"x3050mm FSK-1000 |
| 9 | 27459 | 2 | Hydraulikslange | Hydraulic hose | Hydraulikschlauch | Tuyau Hydraulique | 3/8"x3600mm FSK-1500 |
| 10 | 28220 | 1 | Beslag | Bracket | Beschlag | Patte de fixation | |
| 11 | 740211210 | 1 | Maskinbolt | Bolt | Bolzen | Boulon | M8x45mm FZB |
| 12 | 7139020718 | 2 | Rørholder | Pipe Clamp | Rohrhalter | tuyauterie clamp | 18x18mm |
| 13 | 7139092902 | 1 | Dækplade | Clip band | Spannband | Collier de serrage | |
| 14 | 740420008 | 3 | Låsemøtrik | Lock nut | Gegenmutter | Ecrou de freinage | M8 DIN 985-8 FZB |
| 15 | 740420010 | 2 | Låsemøtrik | Lock nut | Gegenmutter | Ecrou de freinage | M10 DIN 985-8 FZB |
| 16 | 740150220 | 2 | Bræddebolt | Carriage bolt | Schraube | Boulon de carrosserie | M10x20mm FZB |
| 17 | 740210305 | 3 | Maskinbolt | Bolt | Bolzen | Boulon | M10x20mm FZB |
| 18 | 740600030 | 3 | Skive | Washer | Scheibe | Rondelle | 11x22x2,0mm.FZB |
| 19 | 42731 | 1 | Brystnippel | Nipple | Brustnippel | Mamelon | 1/2"-1/2" |
| 20 | 28219 | 1 | Kontraventil | Countervalve | Vs. Ventil | Vanne robinet | A 04207 |
| 21 | 42414 | 1 | Lynkobling | Quick coupling | Schnellkupplung | accouplement rapide | 1/2" |
| 22 | 42416 | 2 | Støvhætte | Dust Cover | Schutzdeckel | Housse de protection | |

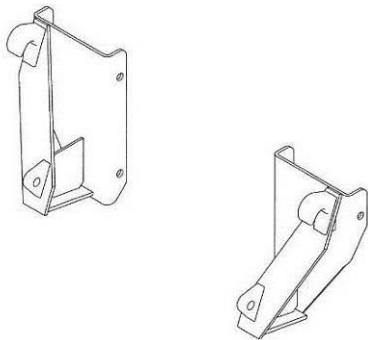
Ophængstyper FSK-400
Hangings
Aufhängung



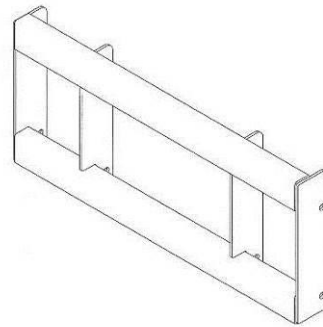
Trepunktsophæng (3637)
3-point hitch
Dreipunkt Aufhängung



SMS-beslag (3636)
SMS fitting
SMS Beschlag

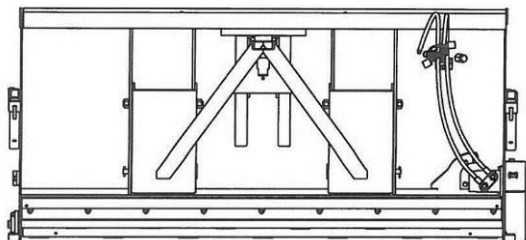


EURO beslag (3632)
EURO hitch
EURO Aufhängung

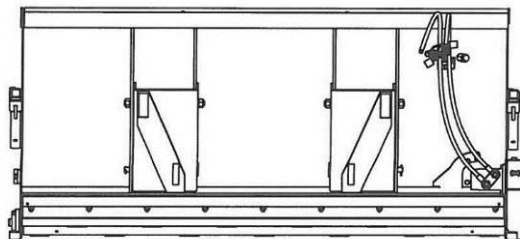


Blank fæste t/påsvejsning (3639)
Welding bracket
Beschlag f/Anschweißung

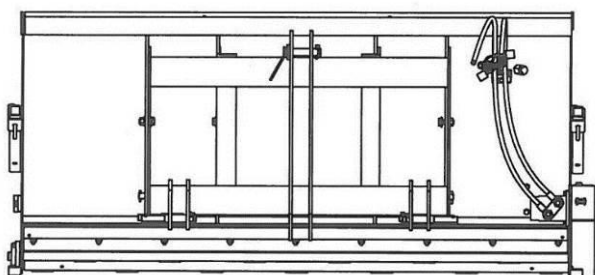
Ophængstyper FSK-800/1000/1500
 Hangings
 Aufhängung



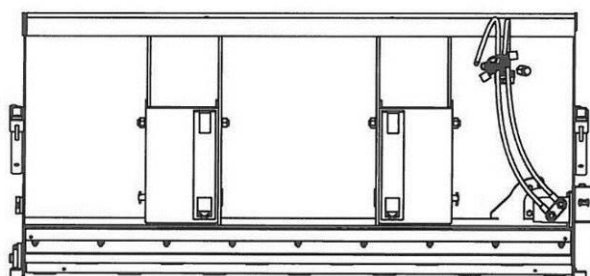
A-ramme (3641)
 A-frame
 A-Rahmen



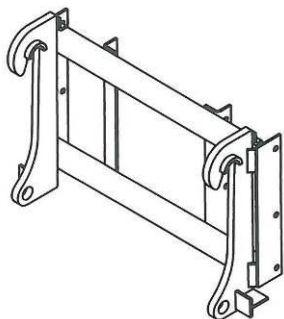
Euro beslag (3644)
 Euro fitting
 Euro Beschlag



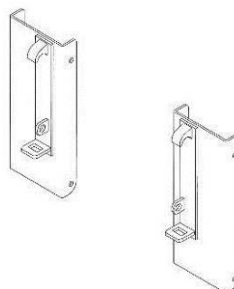
Trepunktsophæng (3647)
 3-point hitch
 Dreipunkt Aufhängung



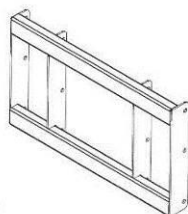
SMS beslag (3642)
 SMS fitting
 SMS Beschlag



Volvo BM ophæng (3648)
 Volvo BM hitch
 Volvo BM Aufhängung

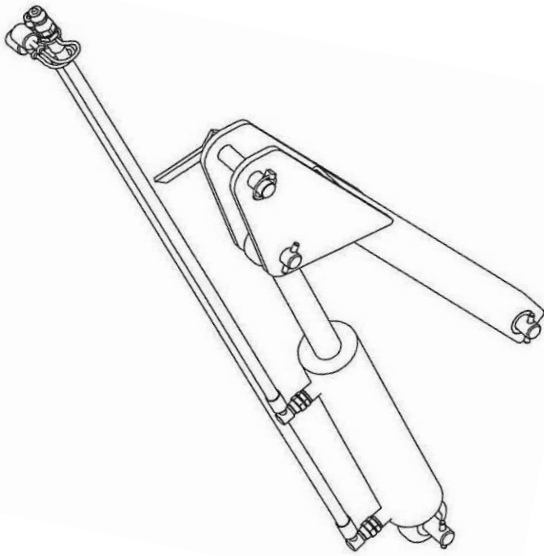


SMS / HMV fæste (3650)
 SMS / HMV bracket
 SMS / HMV Beschlag



Blank fæste t/påsvejsning (3652)
 Welding bracket
 Beschlag f/Anschweißung

JCB ophæng (3654)
 JCB hanging
 JCB Aufhängung



Læssebeslag m/cylinder FSK-400/ 800/1000 (3619)
Loading fitting w/cylinder FSK-4000/800/1000
Ladebeschlag m/Zylinder FSK-400/800/1000
Læssebeslag FSK-1500 (3618)



Sikkerhedsgitter FSK-400 (3660)
Sikkerhedsgitter FSK-800 (3662)
Sikkerhedsgitter FSK-1000 (3664)
Sikkerhedsgitter FSK-1500 (3666)
Safety guard
Sicherheitsgitter

**Ekstraudstyr SPR-
Flowventil
3624 3/8"
3625 3/4"**





Fransgård