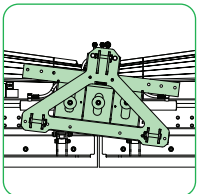




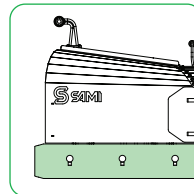
VL-ploughs

SAMI VL-series ploughs are suitable for use with smaller tractors and loaders. They are designed for snow removal primarily on sidewalks but can also handle smaller roads.



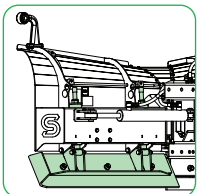
FLOATING SYSTEM

Plough follows the slope of the ground thanks to the floating frame system.



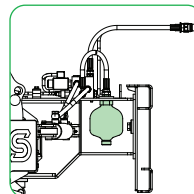
OLOFSFORS

Olofsfors replaceable blades are designed to be reversible, doubling their lifespan.



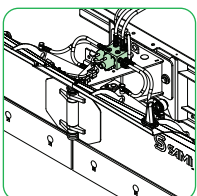
SPRING SUSPENSION

Spring loaded blades help to ensure the safety of the plough when crossing an obstacle and cleaner snow removal result.



PRESSURE ACCUMULATOR

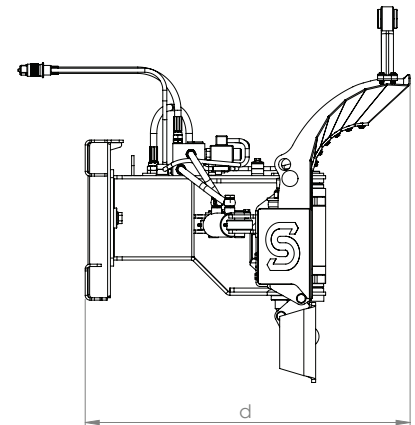
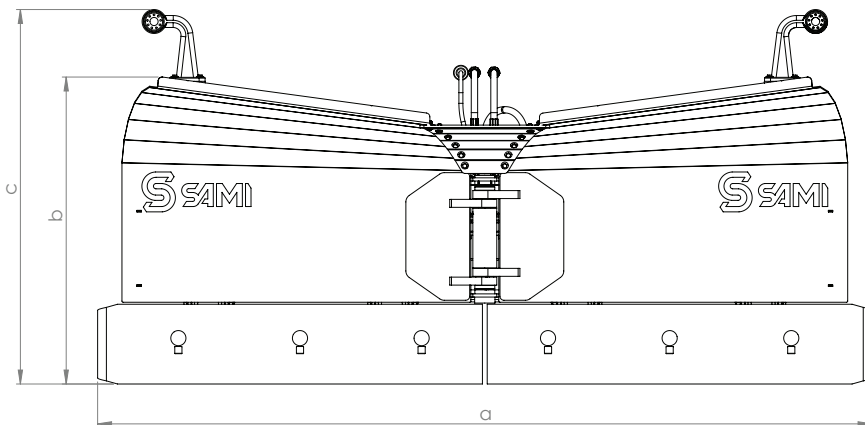
Pressure accumulator helps to protect the plough wings in case of an impact.



HYDRAULIC VALVE

Electrically controlled hydraulic valve allows diagonal or separate moving of the wings.





Models	VL-1600	VL-1800	VL-2000
Working width (a) (min. - max.) (mm)	1340 - 1690	1610 - 1940	1750 - 2120
Height (b / c) (mm)	770 / 940	770 / 940	770 / 940
Depth (d) (mm)	810	810	810
Blade angle (°)	0	0	0
Turning angle of wings (°)	±35	±35	±35
Weight (kg)	215	220	225
Oil pressure (max.) (bar)	200	200	200
1/2" couplings	1 or 2 pairs	1 or 2 pairs	1 or 2 pairs
Rec. tractor weight (t)	1,5 - 3,5	1,5 - 3,5	1,5 - 3,5
Rec. tractor power (hp)	30 - 80	30 - 80	30 - 80
Standard equipment	Spring suspension, Olofsfors blades, hydraulic turning angle		
Additional equipment	Hydraulic control valve and pressure accumulator, support skis, LED lights, rubber blades, net blades		
Fastenings	All the most common fastenings		
Material	Made from SSAB steel		