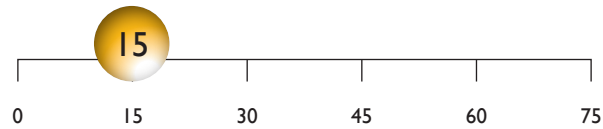


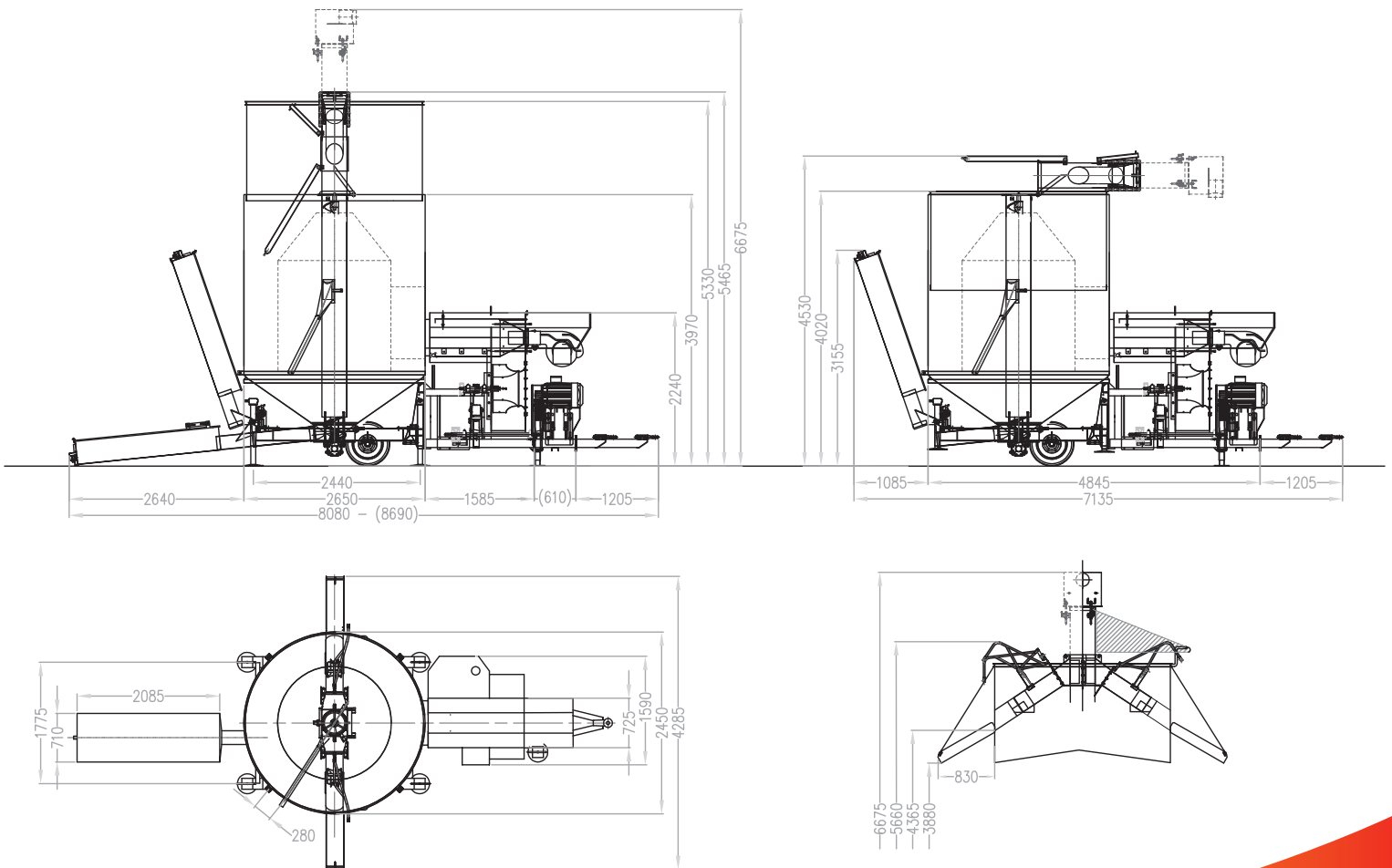
MECMAR

FSN 15/138 T

CAPACITY
(tonnes)



% moisture from - to	25-15	25-14	18-14	25-14	14-8	18-14
	Corn	Wheat	Soybean	Barley	Rapeseed	Rice
Hourly Output (ton/h)	4.1	4.0	5.0	3.2	3.4	2.6



All measurements in mm. The manufacturer reserves the right to change dimensions, capacities and output without prior notice.

FSN 15/138 T

¹ Dryer capacity	20 m ³
Dryer capacity (corn)	15 t

PERFORMANCE

² Loading time	15 min
² Moisture extraction rate (corn)	5.0% in 1 hr
² Cooling	Variable dependant on conditions
² Empty time	15 min

POWER REQUIREMENTS

³ Power required for tractor drive (min hp at PTO)	60 hp
PTO	540 rpm
³ Power required for electric drive (min amps/phase)	73A / 400V
Motor size - fan	15 kW
Motor size - central auger	15 kW
Motor size - loading auger	7.5 kW
Motor size - agitator	2.2 kW
Motor size - aspirator	1.5 kW
Motor size - burner	1.4 kW
Single motor size (on dual drive only)	30 kW

SPECIFICATIONS

Loading hopper	Fully galvanized
Loading auger type	Reinforced vari-pitch auger
Inner/outer auger flight thickness	8 mm - 4 mm
Loading auger tube thickness	3 mm
Central auger type	Reinforced vari-pitch auger
Inner/outer auger flight thickness	12 mm - 6 mm
Inner/outer auger flight thickness on first spiral	15 mm - 9 mm
Central auger tube thickness	5 mm
Agitator drive	Gearbox drive independent of central auger
Agitator main bearing diameter	700 mm
Screen material (external and internal)	AISI 430 grade stainless steel
Screen perforation size (on request)	2.5 mm (1.5 mm or different)
Screen perforation density	33%
Fan type	Quiet centrifugal fan
Fan diameter	710 mm
Oil burner type	Riello two stage light oil burner
Oil burner fuels	Diesel or Kerosene (Bio-Diesel compatible)
Oil burner output min - max	255 - 830 Kw
Diesel tank capacity	550 l
Gas burner fuel	LPG / Methane gas
Gas burner output min - max	255 - 830 Kw

The manufacturer reserves the right to make change and/or improvements in specification without prior notice.

¹ Based on a specific weight of 750 kg/m³

² Performance figures are approximate and for general guidance only. Guidance is based on drying principles, computer simulations and field results. Factors including crop type, crop condition, excessive admixture and weather conditions may affect performance.

³ Power requirements are an approximate guide only. Suitability of a specific power source to be established by a qualified person.